

Monty

Multi-Functional, multi-purpose Pan & Tilt Mounting Devices

Instruction Manual

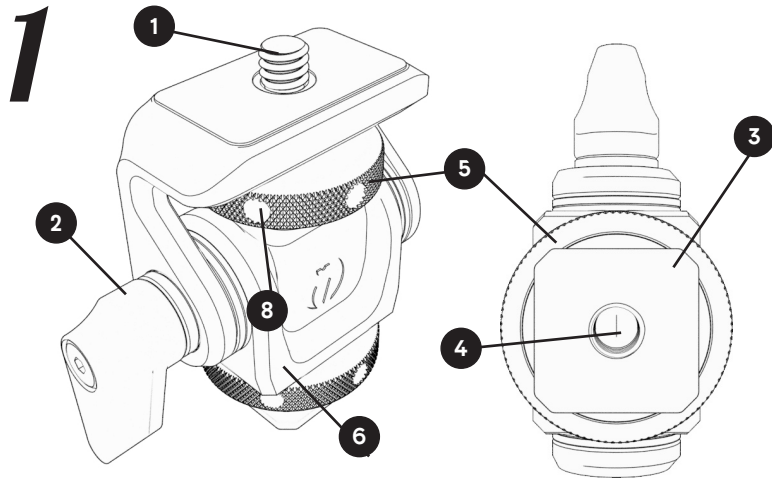
IMPORTANT

DO NOT USE YOUR PRODUCT UNTIL YOU HAVE READ THESE INSTRUCTIONS. NO WARRANTY CLAIM WILL BE ENTERED INTO FOR THE MISUSE OR INCORRECT USE OF THESE PRODUCTS.

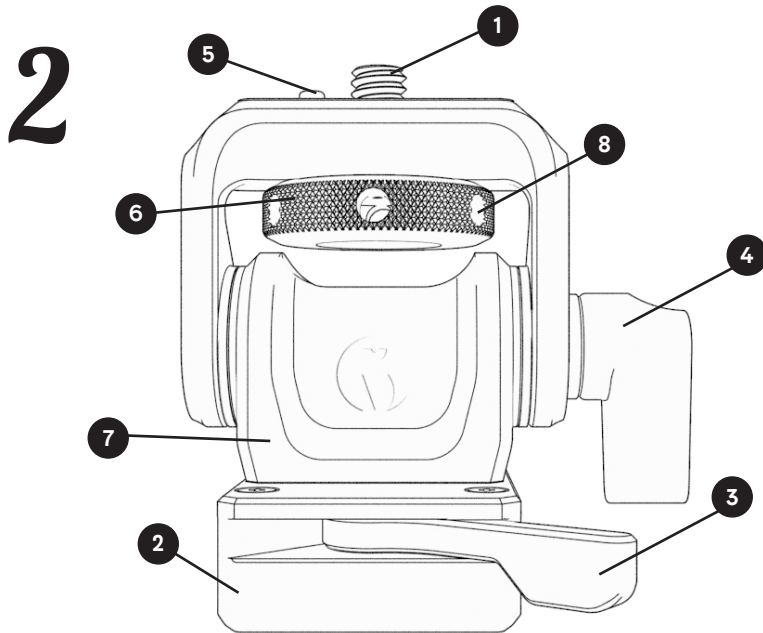
Look at your box.
See that little sticker with a serial number and a barcode? Peel it off and put it here for safe keeping.

Or don't.

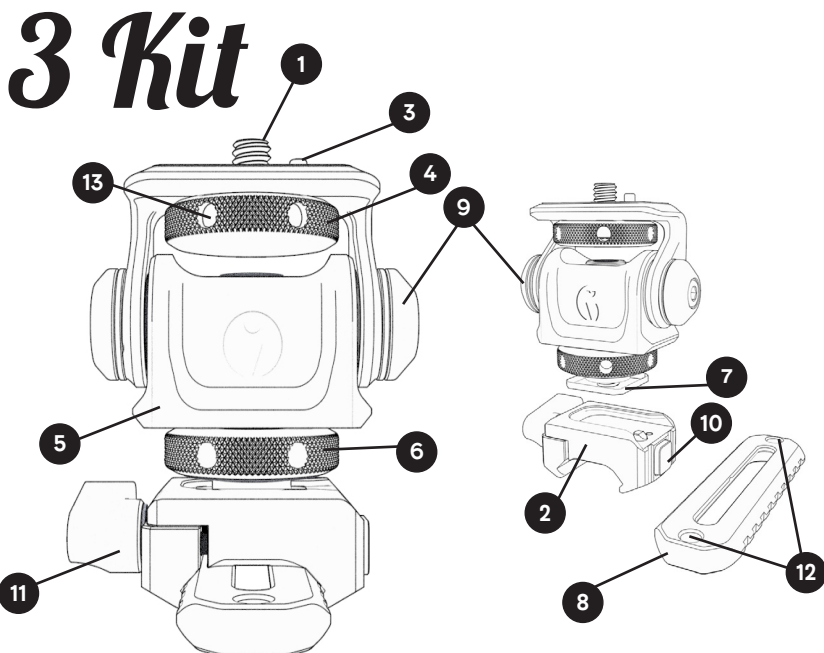
ANATOMY OF MONTY MOUNTS



- 1 1/4"-20 thread
- 2 Ratchet Lock
- 3 Coldshoe base
- 4 1/4"-20 threaded hole
- 5 Rotating Knurled Lock
- 6 360° Rotatable Base
- 7 Locking Disc for hotshoe/coldshoe
- 8 Tool holes for additional Torque



- 1 1/4"-20 thread
- 2 Picatinny Clamp
- 3 Easy Switch Lever
- 4 Clamp Lock Ratchet Lever
- 5 Spring-Loaded Retractable Locator Pin
- 6 Rotating Knurled Lock
- 7 360° Rotating Base
- 8 Tool Holes for additional Torque



- 1 1/4"-20 thread
- 2 Dual Coldshoe / Picatinny Clamp
- 3 Spring-Loaded Retractable Locator Pin
- 4 Rotating Knurled Lock
- 5 Rotating Base
- 6 Rotating Knurled Lock for hotshoe/coldshoe
- 7 Coldshoe Base
- 8 70mm Picatinny Rail
- 9 Lever-free bump-stop
- 10 Quick release button for Coldshoe mount
- 11 Clamp Lock Ratchet Lock
- 12 Spring-Loaded security pins
- 13 Tool Holes for additional Torque

Monty 1

Attach accessories to the 1/4"-20 thread by rotating the knurled lock(5). If additional tightening is needed, insert one part of the supplied Allen Key into a hole in the rotating knurled lock and tighten.

To lock and unlock the tilt function, use the ratchet lock(2). If the lever cannot turn because it is blocked, pull the lever outward and turn it to a better position, and you will then be able to loosen or tighten as required.

To attach to a hotshoe or coldshoe slot, slide the plate into the slot and then lock into place using the rotating knurled lock(5) at the bottom. Use the Allen Key as described above if additional tightening is needed.

To rotate the mount, simply hold the centre and pan to the desired position. The pan does not lock in place, but once placed should stay at the rotation you have chosen.

Monty 2

Attach accessories to the 1/4"-20 thread by rotating the knurled lock(6). If additional tightening is needed, insert one part of the supplied Allen Key into a hole in the rotating knurled lock(8) and tighten. A retractable locator pin(5) is supplied provided for additional stability.

To lock and unlock the tilt function, use the ratchet lock(4). If the lever cannot turn because it is blocked, pull the lever outward and turn it to a better position, and you will then be able to loosen or tighten as required.

To attach the base to a standard 20mm Picatinny rail, slide the base onto the rail, and then slide the lever(3) across to tighten the mount in place.

To rotate the mount, simply hold the centre and pan to the desired position. The pan does not lock in place, but once placed should stay at the rotation you have chosen.

Monty 3

Attach accessories to the 1/4"-20 thread by rotating the knurled lock(4). If additional tightening is needed, insert one part of the supplied Allen Key into a hole in the rotating knurled lock and tighten. A retractable locator pin(3) is supplied provided for additional stability.

The tilt function uses a bump stop mechanism(9). To use this, tilt the top mounting plate forward or backwards to click through the available positions until you find the one that's right for your equipment.

To attach the base to the supplied 20mm x 70mm Picatinny rail, slide the base onto the rail, and tighten using the ratchet lock(11). If the lever cannot turn because it is blocked, pull the lever outward and turn it to a better position, and you will then be able to loosen or tighten as required.

To use the coldshoe mount, press the button on the side of the base(10), and slide the Picatinny clamp off of the coldshoe.

To attach to a hotshoe or coldshoe slot, slide the plate into the slot and then lock into place using the rotating knurled lock(6). Use the Allen Key as described above if additional tightening is needed.

Your Picatinny rail is not supplied with screws. To attach to a wall, fence, table or other item, select the right type of screw for that surface. Use the threaded hole in the centre of the rail to insert the screw and then slide into the desired position before attaching it to your surface.

Warranty Information

Your 3LT product comes with a 5 Year Global Warranty. On the box you will find a sticker with a unique serial number and QR code. Use this serial number to register your products at www.3leggedthing.com/register

Details of your warranty can be found at www.3leggedthing.com/faq
Your warranty covers 3 Legged Thing products only.

If you have a question or suspect you have a fault, contact us first at www.3leggedthing.com/support

3LT Social Media

#3LeggedThing

/3leggedthing

@3leggedthing



Unit 2A Kinsbourne Farm

Bury End

Stagsden

Bedfordshire

MK43 8TS

United Kingdom of Fadeless Splendour