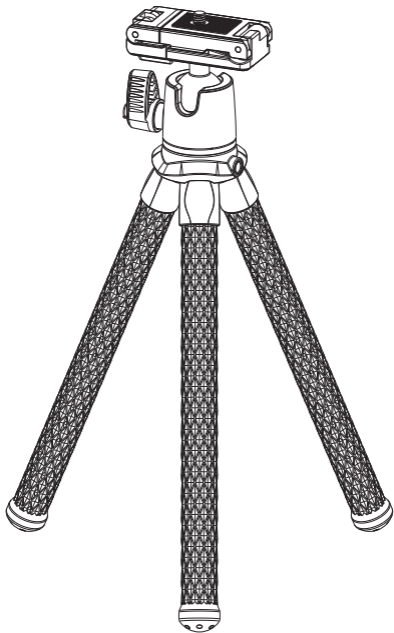




FLEXGRIP

MULTIFUNCTIONAL
MINI TRIPOD

3PFX10



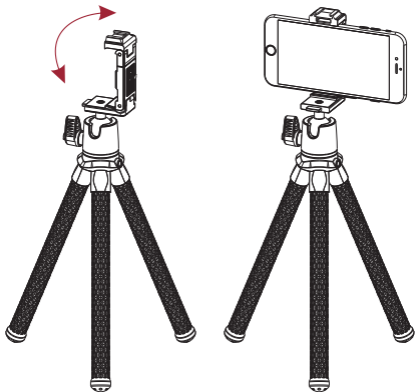
Foreword

Thank you for choosing the 3Pod FlexGrip Multifunctional Mini Tripod. This compact and versatile support system is designed for use with smartphones, cameras, and accessories. Please read this guide before use to ensure safe operation and optimal performance.

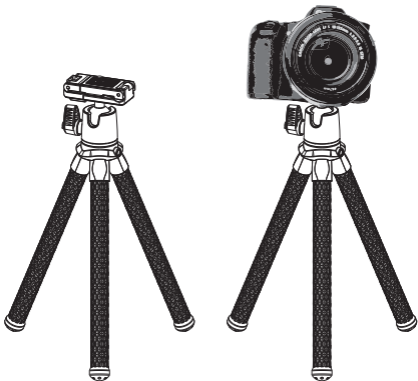
2-in-1 Camera & Phone Mount

The integrated mount functions as both:

- A standard 1/4"-20 camera mount.
- A convertible phone holder for smartphones.



Simply expand the clamp to securely hold your phone, or use the threaded mount for cameras.



Flexible Tripod Legs

The tripod features bendable, wrap-around legs that allow you to:

- Stand on flat surfaces.
- Wrap around poles, branches, or railings.
- Stabilize on uneven terrain.

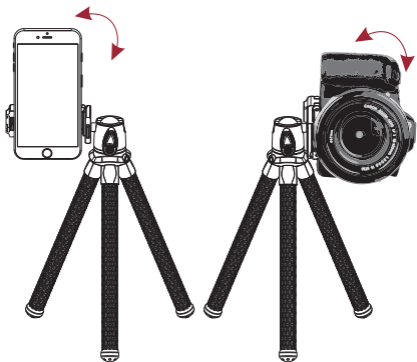
Adjust each leg independently for maximum flexibility and stability.

Ball Head Adjustment

The built-in ball head enables:

- 360° rotation
- 180° tilt

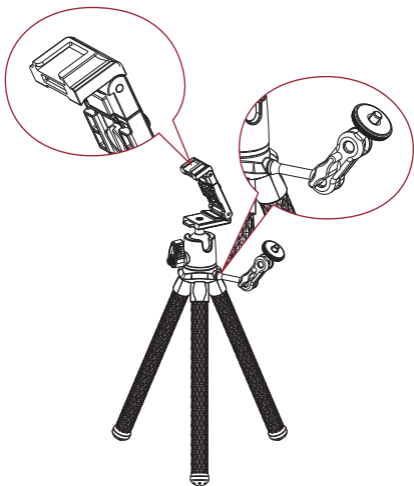
Loosen the side knob to adjust your angle, then tighten to lock your position securely.



Accessory Mounting

The FlexGrip includes:

- Cold Shoe Mount (for microphone or LED light).
- Additional 1/4"-20 thread (for accessories like magic arms).



How to Use

Mounting a Camera

- Align your camera with the 1/4"-20 screw.
- Rotate until securely fastened.
- Adjust angle using the ball head.

Using with a Smartphone

- Pull open the phone clamp.
- Insert your device (2.4–3.3" width).
- Ensure a firm grip before use.

Attaching Accessories

- Slide accessories into the cold shoe mount, or attach via the 1/4"-20 thread.

Adjusting the Legs

- Bend legs into desired shape.
- Wrap around objects or spread for tabletop use.
- Ensure all legs are stable before use.

Safety & Care Instructions

- Always ensure all mounts and locks are securely tightened before use.
- Do not exceed the maximum load capacity of 4.4lb (2 kg).
- Avoid use in extreme temperatures below -4°F (-20°C) or above 158°F (70°C).
- Do not use in seawater or highly corrosive environments.
- Keep away from prolonged direct sunlight or high heat (e.g., inside a car).
- Keep out of reach of children when unattended.
- After use in wet or dusty environments, clean with a soft cloth.
- Remove dirt or debris from joints and threads regularly.
- Do not expose to electrical hazards or harsh chemicals.

Maintenance Tips

- Wipe clean after outdoor use.
- Store in a dry environment.
- Avoid excessive force when bending legs.
- Periodically check mounting threads and connections.

Specifications (Quick Reference)


- Load Capacity: 4.4lb / 2kg
- Folded Length: 12.2" / 31cm
- Weight: 14.1oz / 0.4kg
- Mount: 1/4"-20 + Cold Shoe
- Compatibility: Smartphones & Cameras.

Question about our product line?


Need Product Support?

We're proud of our products and committed to supporting our customers every step of the way. Our team is here to ensure you get the most out of your 3Pod gear-before and after your purchase.

If you need assistance, setup help, or have any questions, please don't hesitate to reach out.

 212-647-9300

 brands@adorama.com

 Adorama Brands,
42 West 18th Street,
New York, NY 10011

You can also contact us anytime at **BRANDS@ADORAMA.COM** for personalized support. Visit our website for additional resources, including FAQs, product guides, and troubleshooting tips.

We're Here to Help

Whether you're shooting content, setting up your gear, or exploring new creative possibilities, the 3Pod team is ready to support you.

3POD is a registered trademark of ADORAMA CAMERA.

© 2026 Adorama Camera, Corp.

All Rights Reserved.

