



BLACKBIRD X10

POWER YOUR VISION

User Manual for Battery and Charger

Please carefully follow operating instructions in this User's Manual to use the ARIES X-10

▶ QUADCOPTER BATTERY

- The quadcopter battery (Figure 1) is a unique battery with a built in charge and discharge management function.

It is specifically designed for ARIES and has a capacity of 5300mAh and voltage of 11.1V. You must use the dedicated quadcopter battery charger (Figure 2) provided by ARIES for charging.

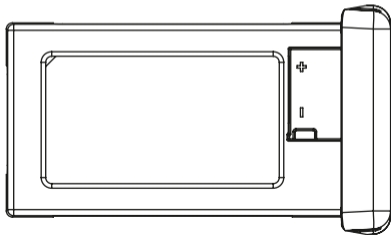


Figure 1

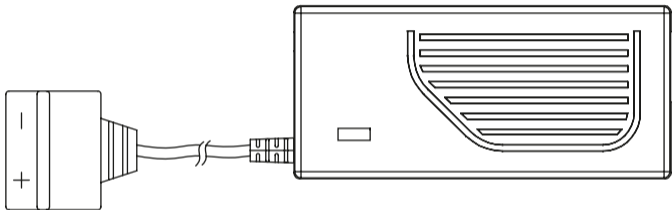


Figure 2

- Short press the Battery Level Check button (Figure 3).
The screen displays appropriate battery level. Please fully charge the battery when the battery charge displayed is less than two bars.

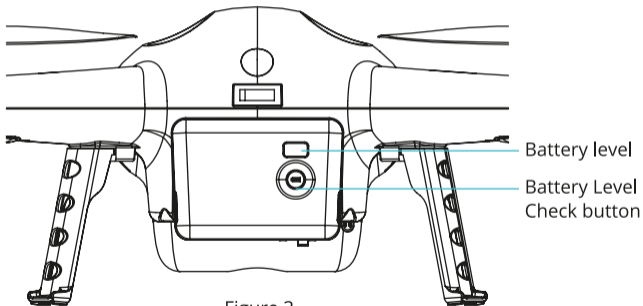


Figure 3

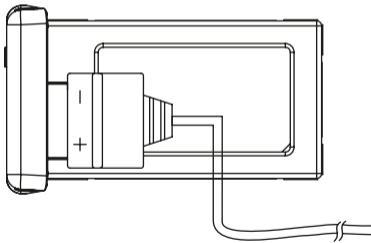
BATTERY SPECIFICATIONS

Type	Li-Po Battery
Capacity	5300mAh
Charging Ambient Temperature	0°C-50°C
Discharging Ambient Temperature	-20°C-50°C
Charge / Discharge Ambient Relative Humidity	< 80%

Before using the battery, please carefully read and strictly comply with this manual's instructions.

▶ CHARGING THE QUADCOPTER BATTERY

- Connect the charger to an AC power source (110-240V, 50 / 60Hz).
If necessary, please use a power adapter.
- While charging, the battery charger indicator lights up, and turns red.
- When the battery indicator turns green, it means the battery is fully charged.
Please remove the battery and disconnect the charger cable from the socket after the battery is completely charged.



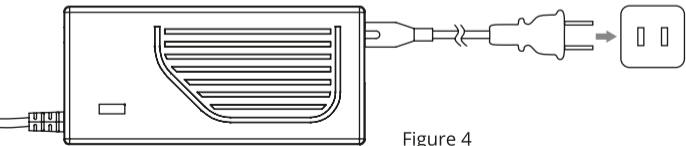


Figure 4

▶ INSTALLING QUADCOPTER BATTERY

Push the battery in the correct direction (Figure 5) into the quadcopter's battery compartment and ensure the battery is properly installed before securing the battery lock.

If the battery lock is not fastened, it may cause poor contact with the battery, which may affect flight safety, or even cause the quadcopter to fail.

Also, the battery could come loose due to impact or excessive angle or vibration, causing the quadcopter to fail MID-FLIGHT and really ruining your day.

ALWAYS TRIPLE CHECK THE BATTERY LOCK

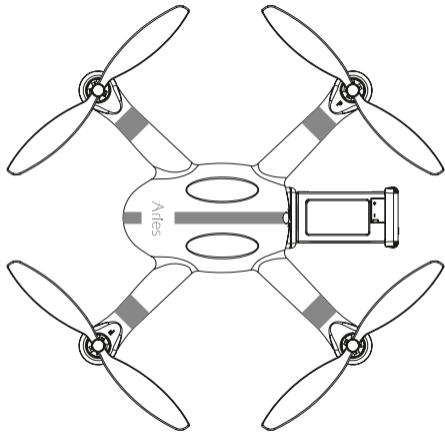


Figure 5

▶ CAUTION

- Do not pull out the battery when the Quadcopter is switched on as it may damage the unit.
- If the battery is not used for a long time, it is recommended to discharge the battery to 40%~50% charge level, and store in a designated box. Discharge/charge the battery again every three months or so, to maintain battery life.
- Please replace the battery after it has been charged at least 300 times or more. Before scrapping batteries and disposing them, please discharge until the charge is fully depleted.
- Do not continue using the battery if there is any swelling or damage to the battery surface, as it may catch fire or explode. Please replace the battery in such cases.
- Please pay attention while charging batteries to prevent accidents. When charging the battery, please keep the battery and charger in a place where there are no flammable or combustible material in the area.
- Battery safety is very important. Please refer to the Important Safety Notices for more precautions.
- Dispose of batteries according to local law.

▶ SAFETY NOTICES

- Ensure the transmitter and quadcopter batteries are sufficiently charged before operating.

- Batteries should be placed out of reach of children. Please seek medical assistance immediately if batteries are swallowed by a child.
- Make sure the quadcopter battery is properly installed and locked in place.
- Do not use devices other than the battery charger provided with the product to charge the quadcopter battery.
- Do not dispose batteries in a fire or heat the batteries.
- Do not use batteries in places with strong static charge, as it may lead to possible failure of the electronic protection system or cause other safety accidents.
- Do not expose batteries to water. Batteries should be stored in a cool and dry place if they are not to be used for a long time.
- Do not combine different manufacturers' batteries or different capacity, types and varieties.
- Do not transport or store batteries together with metal objects which can cause a short.
- Do not strike or throw batteries.
- Do not short circuit the battery contacts.
- Do not pierce the battery case with sharp objects.
- Do not hit the batteries with a hammer or stamp on the batteries.
- Do not attempt to disassemble the batteries in any manner.
- Do not use or store batteries in a hot environment, such as in direct sunlight or in a car in hot weather, as high temperatures may affect battery performance and shorten life, or even cause batteries to catch fire.