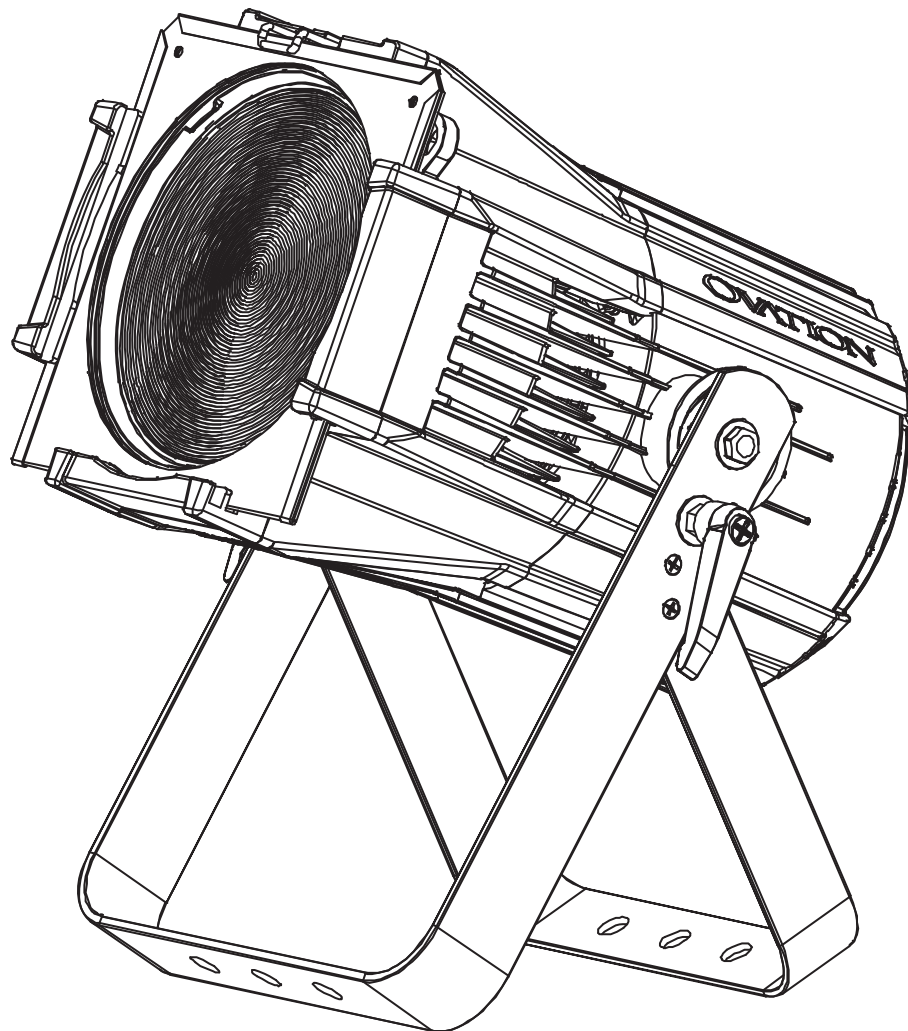


Ovation

P-56VW

User Manual




CHAUVET
PROFESSIONAL

Edition Notes

The Ovation P-56VW User Manual includes a description, safety precautions, installation, programming, operation and maintenance instructions for the Ovation P-56VW.

Trademarks

CHAUVET, the Chauvet logo and Ovation P-56VW are registered trademarks or trademarks of Chauvet & Sons, LLC (d/b/a Chauvet and Chauvet Lighting) in the United States and other countries. Other company and product names and logos referred to herein may be trademarks of their respective companies.

Copyright Notice

The works of authorship contained in this manual, including, but not limited to, all design, text and images are owned by Chauvet.

© **Copyright 2019 Chauvet & Sons, LLC. All rights reserved.**

Electronically published by Chauvet in the United States of America.

Manual Use

Chauvet authorizes its customers to download and print this manual for professional information purposes only. Chauvet expressly prohibits the usage, copy, storage, distribution, modification, or printing of this manual or its content for any other purpose without written consent from Chauvet.

Document Printing

For best results, print this document in color, on letter size paper (8.5 x 11 in), double-sided. If using A4 paper (210 x 297 mm), configure the printer to scale the content accordingly.

Intended Audience

Any person installing, operating, and/or maintaining this product should completely read through the guide that shipped with the product, as well as this manual, before installing, operating, or maintaining this product.

Disclaimer

Chauvet believes that the information contained in this manual is accurate in all respects. However, Chauvet assumes no responsibility and specifically disclaims any and all liability to any party for any loss, damage or disruption caused by any errors or omissions in this document, whether such errors or omissions result from negligence, accident or any other cause. Chauvet reserves the right to revise the content of this document without any obligation to notify any person or company of such revision, however, Chauvet has no obligation to make, and does not commit to make, any such revisions. Download the latest version from www.chauvetprofessional.com.

Document Revision

This Ovation P-56VW User Manual is the 4th edition of this document. Go to www.chauvetprofessional.com for the latest version.

TABLE OF CONTENTS

1. Before You Begin	1
What Is Included	1
Claims	1
Manual Conventions	1
Symbols	1
Safety Notes.....	2
Personal Safety.....	2
Mounting and Rigging	2
Power and Wiring.....	2
Operation	2
Expected LED Lifespan.....	2
2. Introduction	3
Description	3
Features.....	3
Product Overview.....	4
Product Dimensions.....	5
3. Setup	6
AC Power.....	6
AC Plug.....	6
Power Linking.....	6
Fuse Replacement.....	6
DMX Linking.....	6
DMX Personalities.....	6
Remote Device Management (RDM).....	6
Master/Slave Connectivity.....	7
Mounting	7
Orientation.....	7
Rigging.....	7
Procedure.....	7
Alternate Lens Changing Procedure	8
4. Operation	9
Control Panel Operation.....	9
Control Options	9
Programming.....	9
Configuration (DMX)	9
DMX Personalities.....	9
Starting Address.....	9
Menu Map	10
Configuration (Standalone)	13
Static Mode	13
Red Shift	13
Master/Slave	13
Dimmer Curve.....	13
Dimmer Profiles.....	13
White Balance	14
LED Frequency	14
Fan Mode.....	14
Back Light	14
System Information	14
Factory Reset.....	14
Color Temperature	15

DMX Values	16
18Ch.....	16
16Ch.....	16
12Ch.....	17
9Ch.....	17
6Ch.....	17
6Ch2.....	18
4Ch.....	18
2Ch.....	18
5. Technical Information	19
Product Maintenance	19
6. Technical Specifications	20
Photometrics Charts	21
Returns.....	22
Contact Us	23

1. Before You Begin

What Is Included

- Ovation P-56VW
- Gel frame holder (7.5 in/191 mm accessories)
- Neutrik® powerCON® power cord
- Medium and wide lenses
- Quick Reference Guide

Claims

Carefully unpack the product immediately and check the container to make sure all the parts are in the package and are in good condition.





If the box or the contents (the product and included accessories) appear damaged from shipping, or show signs of mishandling, notify the carrier immediately, not Chauvet. Failure to report damage to the carrier immediately may invalidate customer's claim. In addition, keep the box and contents for inspection.

For other issues, such as missing components or parts, damage not related to shipping, or concealed damage, file a claim with Chauvet within 7 days of delivery.

Manual Conventions

Convention	Meaning
1–512	A range of values
50/60	A set of values of which only one can be chosen
<SET>	A button on the product's control panel
Settings	A product function or a menu option

Symbols

Symbol	Meaning
	Electrical warning. Not following these instructions may cause electrical damage to the product, accessories, or the user.
	Critical installation, configuration, or operation information. Not following these instructions may make the product not work, cause damage to the product, or cause harm to the operator.
	Important installation or configuration information. The product may not function correctly if this information is not used.
	Useful information.



The term “DMX” used throughout this manual refers to the USITT DMX512-A digital data transmission protocol.

FCC Compliance

This device complies with Part 15 Part B of the FCC Rules. Operation is subject to the following two conditions:

1. This device may not cause harmful interference, and
2. This device must accept any interference received, including interference that may cause undesired operation.

Any changes or modifications not expressly approved by the party responsible for compliance could void the user's authority to operate the equipment.

Safety Notes

Read all the following safety notes before working with this product. These notes contain important information about the installation, usage, and maintenance of this product.



This product contains no user-serviceable parts. Any reference to servicing in this User Manual will only apply to properly trained, certified technicians. Do not open the housing or attempt any repairs.



All applicable local codes and regulations apply to proper installation of this product.

Personal Safety

- Avoid direct eye exposure to the light source while the product is on.
- Always disconnect the product from the power source before cleaning or replacing the fuse.
- Always connect the product to a grounded circuit to avoid the risk of electrocution.
- Do not touch the product's housing when operating because it may be very hot.

Mounting and Rigging

- Do not operate this product outdoors or in any location where dust, excessive heat, water, or humidity may affect it (IP20).
- Do not leave any flammable material within 50 cm of this product while operating or connected to power.
- CAUTION: When transferring product from extreme temperature environments, (e.g., cold truck to warm, humid ballroom) condensation may form on the internal electronics of the product. To avoid causing a failure, allow product to fully acclimate to the surrounding environment before connecting it to power.
- Mount this product in a location with adequate ventilation, at least 20 in (50 cm) from adjacent surfaces.
- When hanging this product, always secure to a fastening device using a safety cable.
- Use only the hanging/mounting bracket to carry this product.

Power and Wiring

- Always ensure that the product is connected to proper voltage in accordance with the specifications in this manual or on the product's specification label.
- Never connect the product to a dimmer pack or rheostat.
- Never disconnect this product by pulling or tugging on the power cable.

Operation

- Do not operate this product if there is damage on the housing, lenses, or cables. Have the damaged parts replaced by an authorized technician at once.
- Do not cover the ventilation slots when operating to avoid internal overheating.
- The maximum ambient temperature is 113 °F (45 °C). Do not operate the product at higher temperatures.
- The minimum startup temperature is -4°F (-20°C). Do not start the product at lower temperatures.
- The minimum ambient temperature is -22°F (-30°C). Do not operate the product at lower temperatures.
- In the event of a serious operation problem, stop using this product immediately!



If your Chauvet product requires service, contact Chauvet Technical Support.

Expected LED Lifespan

LEDs gradually decline in brightness over time, primarily because of heat. LEDs that are arranged in clusters experience higher operating temperatures than single LEDs. For this reason, operating clustered LEDs at their fullest intensity significantly reduces the LEDs' lifespan. Under normal conditions, this lifespan is 40,000 to 50,000 hours. If extending this lifespan is vital, lower the operating temperature by improving the ventilation around the product, thus reducing the ambient temperature. In addition, limiting the overall projection intensity may extend the LEDs' lifespan.

2. Introduction

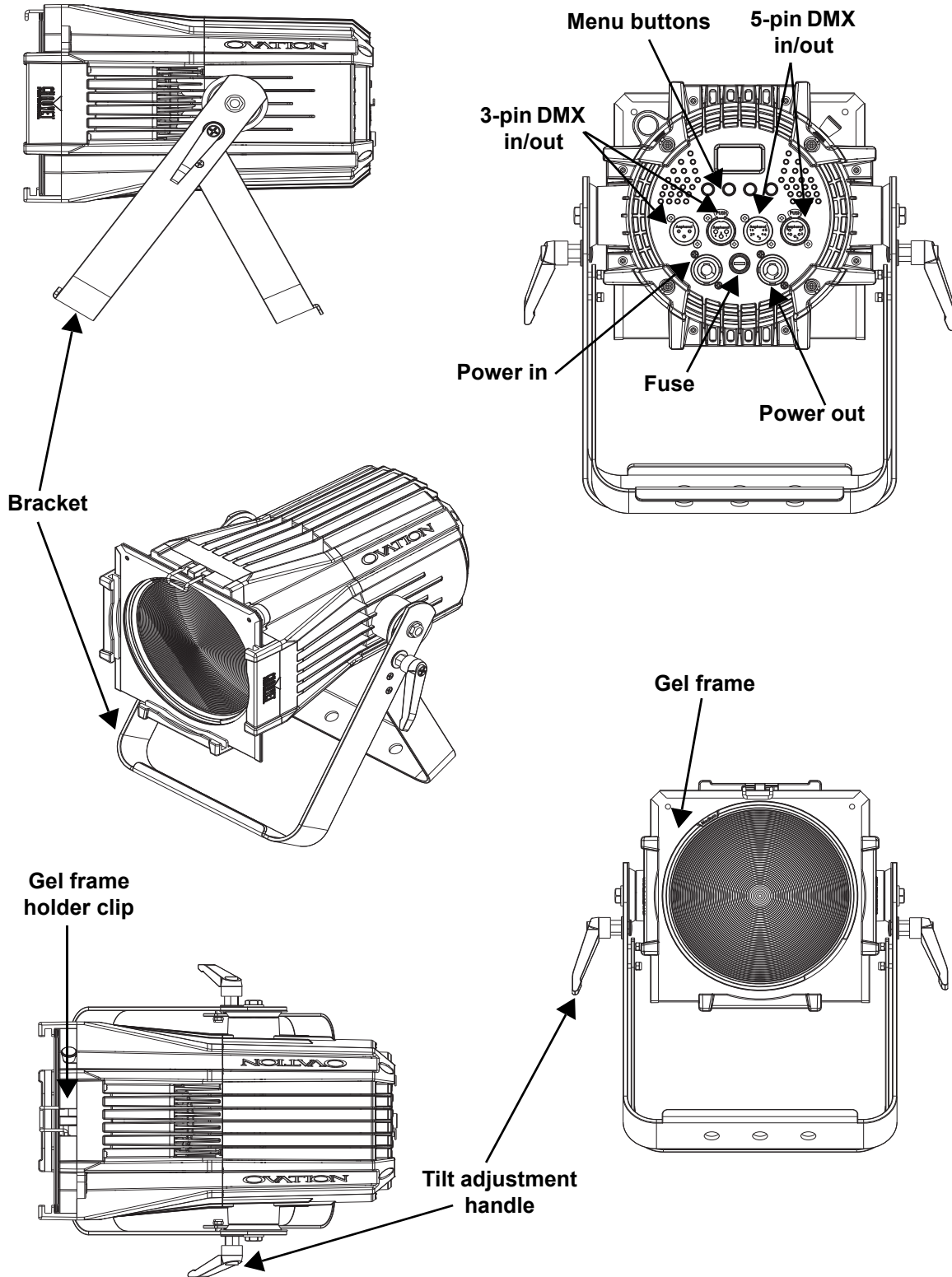
Description

The Ovation P-56VW is a compact, bright, and virtually silent PAR that produces a homogenized, flat, and even field of light from an advanced, single-source LED. The unit features a six-color LED system that produces nearly any temperature of white with high CRI and CQS. The par's color temperature can be further adjusted for +/- green, making it ideal for TV studios and broadcasted events. The unit accepts standard 7.5" beam-shaping accessories and has included interchangeable lens plates for medium and wide beam angles. The virtually silent par also features extremely smooth 16-bit dimming, and RDM and PWM for setup ease.

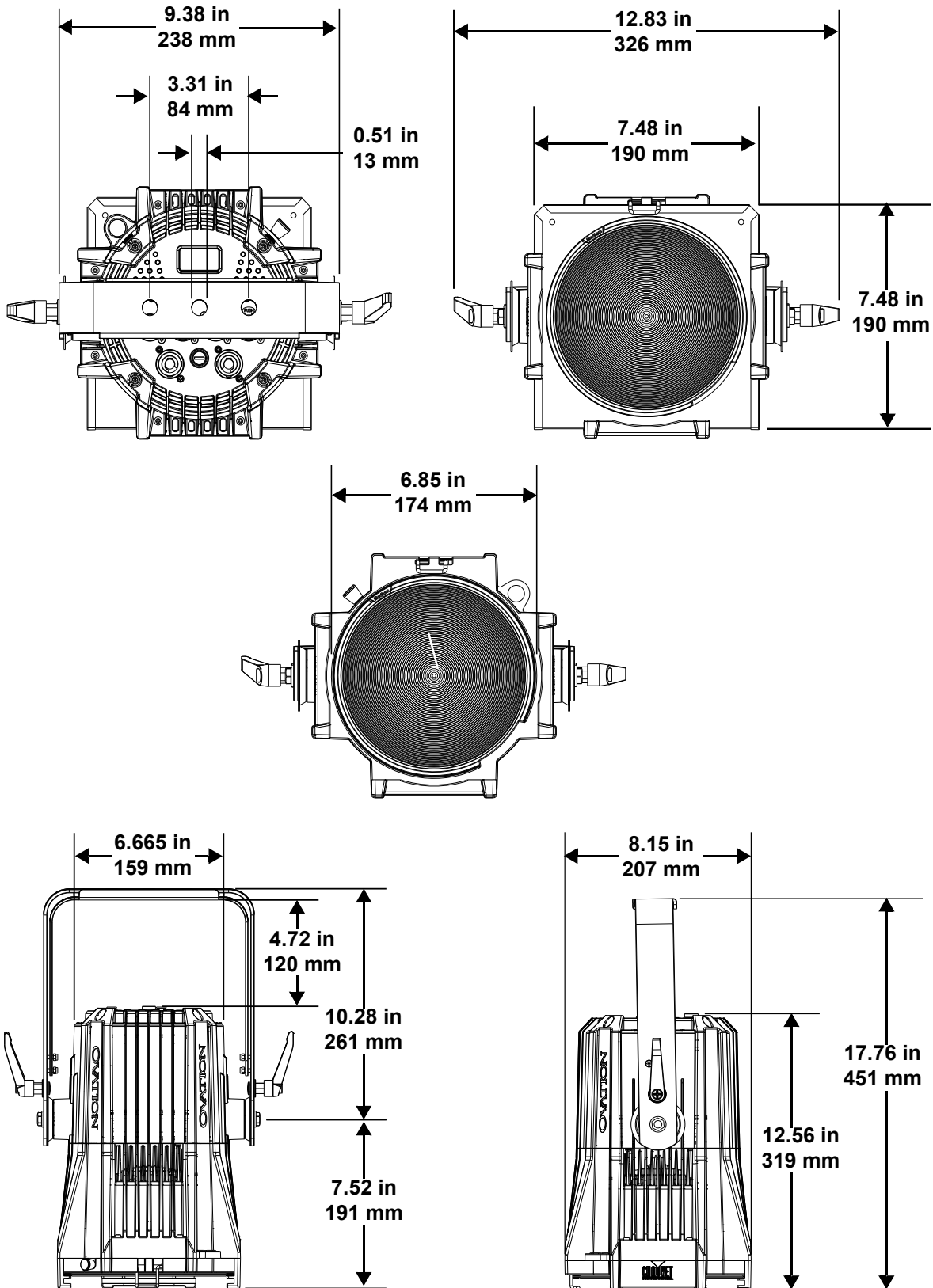
Features

- Operating modes:
 - 2-channel: dimmer, red shift
 - 4-channel: dimmer, color temperature, hue, red shift
 - 6-channel: dimmer, 16-bit dimmer, color temperature, hue, strobe, red shift
 - 6-channel: red, orange, green, royal blue, blue, lime
 - 9-channel: dimmer, red, orange, green, royal blue, blue, lime, strobe, red shift
 - 12-channel: dimmer, red, orange, green, royal blue, blue, lime, strobe, color temperature, hue, dimmer speed, red shift
 - 16-channel: dimmer, 16-bit dimmer, red, red fine, orange, orange fine, green, green fine, royal blue, royal blue fine, blue, blue fine, lime, lime fine, strobe, red shift
 - 18-channel: dimmer, 16-bit dimmer, red, red fine, orange, orange fine, green, green fine, royal blue, royal blue fine, blue, blue fine, lime, lime fine, strobe, color temperature, hue, red shift
- Variable white PAR-style fixture with homogenized single source of light
- Interchangeable lens plates included for medium and wide beam angles
- Soft, even field of light
- Quiet operation for use in any situation with fan speed control
- +/- green adjustment via DMX or on-board control
- Independent color control over the six-color engine when a splash of color is needed
- RDM (Remote Device Management) and variable PWM (Pulse Width Modulation) for setup ease
- Accept standard 7.5" beam-shaping accessories
- 16-bit dimming resolution for smooth fades

Product Overview



Product Dimensions



3. Setup

AC Power

Each Ovation P-56VW has an auto-ranging power supply that works with an input voltage range of 100 to 240 VAC, 50/60 Hz. To determine the power requirements for each Ovation P-56VW, refer to the label affixed to the product or to the [Technical Specifications](#) chart in this manual.

The listed current rating indicates the maximum current draw during normal operation. For more information, download Sizing Circuit Breakers from the Chauvet website: www.chauvetprofessional.com.



- **Always connect the product to a protected circuit (a circuit breaker or fuse). Make sure the product has an appropriate electrical ground to avoid the risk of electrocution or fire.**
- **To eliminate unnecessary wear and improve its lifespan, during periods of non-use completely disconnect the product from power via breaker or by unplugging it.**



Never connect the product to a rheostat (variable resistor) or dimmer circuit, even if the rheostat or dimmer channel serves only as a 0 to 100% switch.

AC Plug

The Ovation P-56VW comes with a power input cord terminated with a Neutrik® powerCON® connector on one end and an Edison plug on the other end (U.S. market). If the power input cord that came with the product has no plug, or if the plug needs to be changed, use the table below to wire the new plug.

Connection	Wire (U.S.)	Wire (Europe)	Screw Color
AC Live	Black	Brown	Yellow or Brass
AC Neutral	White	Blue	Silver
AC Ground	Green/Yellow	Green/Yellow	Green

Power Linking

The product supports power linking. It is possible to power link up to 11 products at 120 V, up to 18 products at 208 V, or up to 20 products at 230 V. This product comes with a power input cord. Power-linking cables are available for purchase from Chauvet.

Fuse Replacement

1. Disconnect this product from the power outlet.
2. Using a flathead screwdriver, unscrew the fuse holder cap from the housing.
3. Remove the blown fuse and replace with another fuse of the same type and rating (T 3.15 A, 250 V).
4. Screw the fuse holder cap back in place and reconnect power.



Make sure to disconnect the product's power cord before replacing a blown fuse. Always replace the blown fuse with another of the same type and rating.

DMX Linking

The Ovation P-56VW can be linked to a DMX controller using a 3- and 5-pin DMX connection. If using other DMX-compatible products with this product, it is possible to control each individually with a single DMX controller.

DMX Personalities

The Ovation P-56VW uses a 3- and 5-pin DMX data connection for the **2Ch, 4Ch, 6Ch, 6Ch2, 9Ch, 12Ch, 16Ch,** and **18Ch** DMX personalities.

- Refer to the [Introduction](#) for a brief description of each DMX personality.
- Refer to the [Operation](#) chapter to learn how to configure the Ovation P-56VW to work in these personalities.
- The [DMX Values](#) section provides detailed information regarding the DMX personalities.



For information about DMX standards, Master/Slave connectivity, or the DMX cables needed to link this product to a DMX controller, download the DMX Primer from the Chauvet website: www.chauvetprofessional.com.

Remote Device Management (RDM)

Remote Device Management, or RDM, is a standard for allowing DMX-enabled devices to communicate bi-directionally along existing DMX cabling. Check the DMX controller's User Manual or with the manufacturer, as not all DMX controllers have this capability. The Ovation P-56VW supports RDM protocol that allows feedback to make changes to menu map options.

Master/Slave Connectivity

The Master/Slave mode allows an Ovation P-56VW (the master) to control one or more Ovation P-56VW products (the slaves) without a DMX controller. One Ovation P-56VW becomes the master when running an auto or custom program, or by being in a Static mode.

Each slave's control panel must be configured to operate in Slave mode. During Master/Slave operation, the slaves will operate in unison with the master.



DO NOT connect a DMX controller to products operating in Master/Slave mode. The DMX controller signals may interfere with the signals from the master.



- The [Operation](#) section of this manual provides detailed instructions on how to configure the master and slaves.
- For more information about DMX standards or the DMX cables needed to link this product to a DMX controller, download the DMX primer from the Chauvet website: www.chauvetprofessional.com.

Mounting

Before mounting the product, read and follow the safety recommendations indicated in the [Safety Notes](#). For CHAUVET Professional line of mounting clamps, go to: <http://trusst.com/products/>.

Orientation

Always mount this product in a safe position, ensuring that there is adequate room for ventilation, configuration, and maintenance.

Rigging

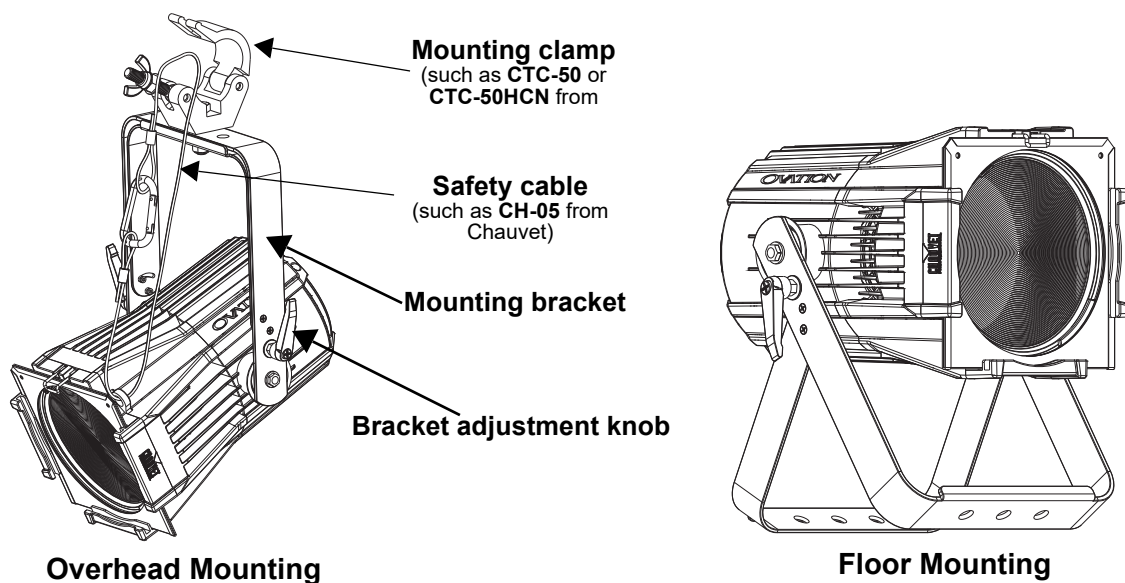
Chauvet recommends using the following general guidelines when mounting this product:

- Before deciding on a location for the product, make sure there is easy access to the product for maintenance and programming purposes.
- Make sure that the structure onto which the product will be mounted can support the product's weight. See the [Technical Specifications](#) for weight information.
- When mounting the product overhead, always use a safety cable. Mount the product securely to a rigging point, whether an elevated platform or a truss.
- When rigging the product onto a truss, use a mounting clamp of appropriate weight capacity.
- When power linking multiple products, mount the products close enough for power-linking cables to reach.
- The bracket adjustment knobs allow for directional adjustment when aiming the product to the desired angle. Only loosen or tighten the bracket knobs manually. Using tools could damage the knobs.

Procedure

The Ovation P-56VW comes with a double-bracketed yoke that can be used as a floor stand or to which mounting clamps can be attached for hanging. Mounting clamps must be purchased separately. Ensure that the clamps can support the weight of this product. Use at least one mounting point per product where necessary.

Mounting Diagram



Alternate Lens Changing Procedure

The Ovation P-56VW has the ability to have different types of lenses installed. The interchangeable lenses allow the product to have alternate beam angles.

To remove the lens

1. Pull knob up.
2. Grab the tab on the lens, and pull it out of the fixture.



DO NOT connect a DMX controller to products operating in Master/Slave mode. The DMX controller signals may interfere with the signals from the master.

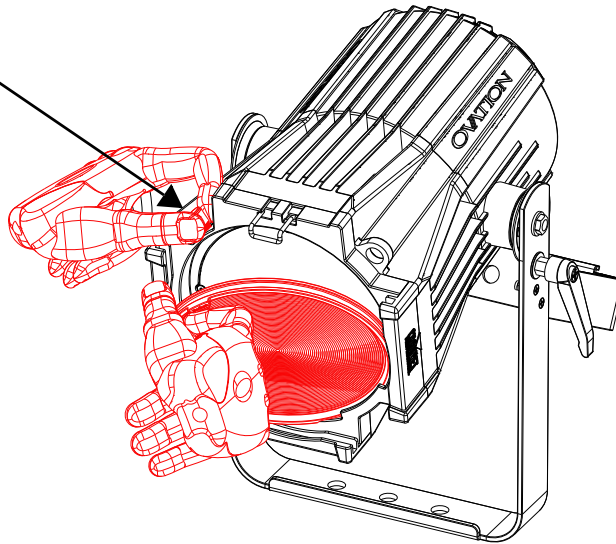
To install a lens

1. Pull knob up.
2. Insert the bottom of the lens at approximately the 5 o'clock position with the lens tab located at the 11 o'clock position.
3. Push the top of the lens in and release the knob.



The lens type is molded into the tab.

**Pull knob up to release
and change the lens**



4. Operation

Control Panel Operation

Button	Function
<MENU>	Exits from the current menu or function
<ENTER>	Enables the currently displayed menu or sets the currently selected value in to the current function
<UP>	Navigates upward through the menu list or increases the numeric value when in a function
<DOWN>	Navigates downward through the menu list or decreases the numeric value when in a function

Control Options

Set the Ovation P-56VW starting address in the 001-512 DMX range. This enables control of up to 20 products in the 18-channel personality.

Programming

Refer to the [Menu Map](#) to understand the menu options. The menu map shows the main level and a variable number of programming levels for each option.

- To go to the desired main level, press <MENU> repeatedly until the option shows on the display. Press <ENTER> to select. This will show the first programming level for that option.
- To select an option or value within the current programming level, press <UP> or <DOWN> until the option shows on the display. Press <ENTER> to select. This will show either the first option if there is another programming level, or the selected value.
- Press <MENU> repeatedly to exit to the previous main level.

Configuration (DMX)

Use DMX configurations to operate the product with a DMX controller.

DMX Personalities

This setting allows the user to choose a particular DMX personality.

1. Go to the **DMX Channel** main level.
2. Select the desired personality (**2Ch, 4Ch, 6Ch, 6Ch2, 9Ch, 12Ch, 16Ch, and 18Ch**).



- See the [Starting Address](#) section for the highest starting address suggested for each personality.
- Make sure that the starting addresses on the various products do not overlap due to the new personality setting.

Starting Address

In this mode, each product will respond to a unique starting address from the DMX controller. All products with the same starting address will respond in unison.

1. Go to the **DMX Address** main level.
2. Set the starting address (**001–512**).

The highest recommended starting address for each DMX mode is as follows:

DMX Personality	DMX Address	DMX Personality	DMX Address
2Ch	511	9Ch	504
4Ch	509	12Ch	501
6Ch	507	16Ch	497
6Ch2	507	18Ch	495

Menu Map

Main Level	Programming Levels			Description	
DMX Address	001–512*			Selects DMX address (highest channel restricted to personality chosen)	
DMX Channel	2Ch	Color Temperature		---- 2-channel: dimmer, red shift See Color Temperature	
		Manual Color Mixer	Red	0–255	Combine red, orange, green, royal blue, blue, and lime to make custom color (0–100%)
			Orange		
			Green		
			Royal Blue		
			Blue		
	Lime				
	4Ch		4-channel: dimmer, color temperature, hue, red shift		
	6Ch		6-channel: 16-bit dimmer, color temperature, hue, strobe, red shift		
	6Ch2		6-channel: red, orange, green, royal blue, blue, lime		
9Ch		9-channel: red, orange, green, royal blue, blue, lime, strobe, red shift			
12Ch		12-channel: dimmer, red, orange, green, royal blue, blue, lime, strobe, color temperature, hue, dimmer speed mode, red shift			
16Ch		16-channel: 16-bit dimmer, 16-bit red, orange, green, royal blue, blue, and lime, strobe, red shift			
18Ch		18-channel: 16-bit dimmer, 16-bit red, orange, green, royal blue, blue, and lime, strobe, color temperature, hue, red shift			

Main Level	Programming Levels			Description	
Static	Color Temperature	2800K	Dimmer	0–255	Preset white color temperatures. Emulates a tungsten lamp at the specified color temperature. Refer to the Color Temperature for specific values.
		2900K			
		3000K			
		3100K			
		3200K			
		3300K			
		3400K			
		3500K			
		3600K			
		3700K			
		3800K			
		3900K			
		4000K			
		4100K			
		4200K			
		4300K	Hue	-25–25	
		4400K			
		4500K			
		4600K			
		4700K			
	4800K				
	4900K				
	5000K				
	5100K				
	5200K				
	5300K				
	5400K				
	5500K				
	5600K				
	5700K				
	6000K				
	6500K				
	7000K				
7500K					
8000K					
Manual Color Mixer	Red	0–255	Combines red, orange, green, royal blue, blue, and lime to make a custom color (0–100%)		
	Orange				
	Green				
	Royal Blue				
	Blue				
	Lime				
Red Shift	On		Mimics halogen lamp dimming		
	Off				
Master/ Slave	Master		Receives DMX signal from the DMX controller (master)		
	Slave		Receives DMX signal from the master unit		
Dimmer Curve	Linear		Sets the dimmer curve		
	Square				
	I Square				
	SCurve				
Dimmer Mode	Off		Linear dimmer		
	Dimmer 1–3		Dimming curves, from fast (Dimmer 1) to slow (Dimmer 3)		

Main Level	Programming Levels		Description
White Balance	Manual	Off	Uses factory default white setting
		Red	Sets red LED maximum value
		Orange	Sets orange LED maximum value
		Green	Sets green LED maximum value
		Royal Blue	Sets royal blue LED maximum value
		Blue	Sets blue LED maximum value
		Lime	Sets lime LED maximum value
LED Frequency	600Hz		Sets the PWM frequency
	1200Hz		
	2000Hz		
	4000Hz		
	6000Hz		
	25KHz		
Fan Mode	Auto		Sets the fan to auto mode
	On		Sets the fan to always on
	Off		Sets the fan to always off
	Silent		Sets the fan to silent
Back Light	10S		Turns off display backlight after 10 seconds of inactivity
	30S		Turns off display backlight after 30 seconds of inactivity
	2Min		Turns off display backlight after 2 minutes of inactivity
	Always On		Display backlight always on
Information	Fixture Hours	----H	Shows total hours the product has been powered on
	Version	V._.	Shows current firmware version
	UID	-----	Shows product UID
Reset Factory	No		Resets the product to factory default settings
	Yes		

Configuration (Standalone)

Use standalone configuration to operate the product without a DMX controller.

Static Mode

The Static mode allows for an unchanging color without a DMX controller.

Color Temperature

To select a color temperature, do the following:

1. Go to the **Static** main level.
2. Select **Color Temperature**.
3. Select the desired color temperature (see [Color Temperature](#)).
4. Select the desired output level (**0–255**).

Manual Color Mixer

To do color mixing without a DMX controller, follow the instructions below:

1. Go to the **Static** main level.
2. Select **Manual Color Mixer**.
3. Select the color to edit (**Red, Orange, Green, Royal Blue, Blue, or Lime Green**).
4. Select the desired output level for that color (**0–255**).
5. Repeat steps 3 and 4 until product outputs as desired.

Red Shift

The Red Shift function causes the amber LEDs to imitate the appearance of a halogen lamp when dimming.

To adjust the Red Shift function, do the following:

1. Go to the **Red Shift** main level.
2. Select **On** or **Off**.

Master/Slave

The Master/Slave mode allows a group of Ovation P-56VW products (the slaves) to simultaneously duplicate the output of another Ovation P-56VW (the master) without a DMX controller.

To set each of the slaves:

1. Go to the **Master/Slave** main level
2. Select **Slave**.

To set the master:

1. Go to the **Master/Slave** main level
2. Select **Master**.
3. Select a static setting.



- **The master is the one that runs a program whether in Auto or Static mode.**
- **Do not connect a DMX controller to the products configured for Master/Slave operation. The DMX controller may interfere with signals from the master.**
- **The master should be the first product in the daisy chain.**

Dimmer Curve

To set the dimmer curve, follow the instructions below:

1. Go to the Dimmer Curve main level.
2. Select the desired option (**Linear, Square, I Squa, or SCurve**).

Dimmer Profiles

This setting determines how fast the output of the Ovation P-56VW changes when the output value is modified. It provides four different options to simulate the dimming curve of an incandescent lighting product.

To select a specific dimmer profile, do the following:

1. Go to the **Dimmer Mode** main level.
2. Select a dimmer curve (**Off, Dimmer 1, Dimmer 2, or Dimmer 3**).



- Off:** The output is proportional (linear) to the dimmer channel value.
- Dimmer 1-3:** The output follows the dimmer value based on the corresponding dimmer curve, **Dimmer 1** being the fastest.

White Balance

This setting determines the maximum output values for each color, which affects the appearance of a full output white.

1. Go to the **White Balance** main level.
2. Select **Off** (the product will use a default setting) or **Manual**.
3. For **Manual** mode, select the color value to edit (**Red, Orange, Green, Royal Blue, Blue, or Lime Green**).
4. Set the maximum value for the selected color (**125–255**).
5. Repeat steps 3 and 4 until the product outputs as desired.

LED Frequency

This option changes the Pulse Width Modulation (PWM) frequency of the LEDs on the Ovation P-56VW. To do so, follow the instructions below:

1. Go to the **LED Frequency** main level.
2. Select PWM Frequency (**600Hz, 1200Hz, 2000Hz, 4000Hz, 6000Hz, or 25Khz**).

Fan Mode

This setting determines how the fan speed on the Ovation P-56VW is set.

1. Go to the **Fan Mode** main level
2. Select **Auto** (fan speed will increase or decrease based on product temperature), **Off** (fan will stay off. Product output will decrease based on product temperature), **Silent** (fan will maintain a constant silent speed), or **On** (fan speed will always be at maximum).



NOTICE: When operating in Fan Mode: Off, the output of the fixture will be reduced and will not reach the same levels as when using other fan modes.



WARNING: When operating in Fan Mode: Off, the fixture will become hotter to the touch than when using other fan modes. Use proper protective equipment to prevent burns. Keep a safe distance from flammable objects.

Back Light

This setting allows for selection of the amount of time the backlight on the Ovation P-56VW's display stays on after the last button is pressed on the control panel.

1. Go to the **Back Light** main level.
2. Select **10S** (10 seconds), **30S** (20 seconds), **2Min** (2 minutes), or **Always On** (remains on).

System Information

This option displays the total number of hours the product has run, the installed software version, and the product's UID.

1. Go to the **Information** main level.
2. Select **Fixture Hours, Version, or UID**.

Factory Reset

This option restores the Ovation P-56VW to factory default settings.

1. Go to the **Reset Factory** main level.
2. Select **No** or **Yes**.

Color Temperature

Color Temperature DMX Chart

DMX Channel Value	Color Temperature	DMX Channel Value	Color Temperature	DMX Channel Value	Color Temperature
000 ⇄ 005	No function/2800K	083 ⇄ 090	3900–4000K	167 ⇄ 174	5100–5200K
006 ⇄ 013	2800–2900K	090 ⇄ 097	4000–4100K	174 ⇄ 181	5200–5300K
013 ⇄ 020	2900–3000K	097 ⇄ 104	4100–4200K	181 ⇄ 188	5300–5400K
020 ⇄ 027	3000–3100K	104 ⇄ 111	4200–4300K	188 ⇄ 195	5400–5500K
027 ⇄ 034	3100–3200K	111 ⇄ 118	4300–4400K	195 ⇄ 202	5500–5600K
034 ⇄ 041	3200–3300K	118 ⇄ 125	4400–4500K	202 ⇄ 209	5600–5700K
041 ⇄ 048	3300–3400K	125 ⇄ 132	4500–4600K	209 ⇄ 216	5700–6000K
048 ⇄ 055	3400–3500K	132 ⇄ 139	4600–4700K	216 ⇄ 223	6000–6500K
055 ⇄ 062	3500–3600K	139 ⇄ 146	4700–4800K	223 ⇄ 230	6500–7000K
062 ⇄ 069	3600–3700K	146 ⇄ 153	4800–4900K	230 ⇄ 237	7000–7500K
069 ⇄ 076	3700–3800K	153 ⇄ 160	4900–5000K	237 ⇄ 244	7500–8000K
076 ⇄ 083	3800–3900K	160 ⇄ 167	5000–5100K	244 ⇄ 255	8000K

Color Temperature Values Chart

Display Readout	Red Value	Orange Value	Green Value	Royal Blue Value	Blue Value	Lime Value
2800K	193	181	015	032	023	255
2900K	184	172	024	036	025	255
3000K	176	161	027	037	028	255
3100K	167	156	030	042	034	255
3200K	162	146	034	046	035	255
3300K	157	140	039	048	040	255
3400K	153	132	042	050	044	255
3500K	149	128	046	053	047	255
3600K	144	122	050	055	050	255
3700K	140	118	053	057	054	255
3800K	135	115	054	059	057	255
3900K	132	111	056	063	062	255
4000K	128	107	059	066	065	255
4100K	125	105	062	068	067	255
4200K	123	103	067	070	071	255
4300K	120	101	071	072	074	255
4400K	118	099	074	074	078	255
4500K	116	097	079	077	080	255
4600K	114	094	083	078	083	255
4700K	112	092	087	080	085	255
4800K	107	090	089	082	087	255
4900K	105	088	092	085	089	255
5000K	103	086	095	087	092	255
5100K	101	084	099	088	094	255
5200K	100	082	101	091	096	255
5300K	099	079	104	095	097	255
5400K	098	077	106	098	099	255
5500K	097	079	108	102	102	255
5600K	096	077	109	104	104	255
5700K	095	076	110	106	106	255
6000K	089	072	115	111	113	255
6500K	081	066	120	121	120	255
7000K	077	059	124	128	129	255
7500K	073	054	127	136	136	255
8000K	068	050	135	144	142	255



The color temperatures above are simulated renditions of the color output produced compared with a tungsten lamp at the specified color temperature. Chauvet makes no guarantee of the color output accuracy.

DMX Values

18Ch

Channel	Function	Value	Percent/Setting
1	Dimmer	000 ⇔ 255	0–100%
2	Dimmer fine	000 ⇔ 255	0–100%
3	Red	000 ⇔ 255	0–100%
4	Red fine	000 ⇔ 255	0–100%
5	Orange	000 ⇔ 255	0–100%
6	Orange fine	000 ⇔ 255	0–100%
7	Green	000 ⇔ 255	0–100%
8	Green fine	000 ⇔ 255	0–100%
9	Royal blue	000 ⇔ 255	0–100%
10	Royal blue fine	000 ⇔ 255	0–100%
11	Blue	000 ⇔ 255	0–100%
12	Blue fine	000 ⇔ 255	0–100%
13	Lime	000 ⇔ 255	0–100%
14	Lime fine	000 ⇔ 255	0–100%
15	Strobe	000 ⇔ 010 011 ⇔ 255	No function Strobe, slow to fast
16	Color temperature	000 ⇔ 255	Refer to Color Temperature DMX Chart
17	Hue	000 ⇔ 255	-25–25
18	Red shift	000 ⇔ 010 011 ⇔ 127 128 ⇔ 255	No function On Off

16Ch

Channel	Function	Value	Percent/Setting
1	Dimmer	000 ⇔ 255	0–100%
2	Dimmer fine	000 ⇔ 255	0–100%
3	Red	000 ⇔ 255	0–100%
4	Red fine	000 ⇔ 255	0–100%
5	Orange	000 ⇔ 255	0–100%
6	Orange fine	000 ⇔ 255	0–100%
7	Green	000 ⇔ 255	0–100%
8	Green fine	000 ⇔ 255	0–100%
9	Royal blue	000 ⇔ 255	0–100%
10	Royal blue fine	000 ⇔ 255	0–100%
11	Blue	000 ⇔ 255	0–100%
12	Blue fine	000 ⇔ 255	0–100%
13	Lime	000 ⇔ 255	0–100%
14	Lime fine	000 ⇔ 255	0–100%
15	Strobe	000 ⇔ 010 011 ⇔ 255	No function Strobe, slow to fast
16	Red shift	000 ⇔ 010 011 ⇔ 127 128 ⇔ 255	No function On Off

12Ch

Channel	Function	Value	Percent/Setting
1	Dimmer	000 ⇔ 255	0–100%
2	Red	000 ⇔ 255	0–100%
3	Orange	000 ⇔ 255	0–100%
4	Green	000 ⇔ 255	0–100%
5	Royal blue	000 ⇔ 255	0–100%
6	Blue	000 ⇔ 255	0–100%
7	Lime	000 ⇔ 255	0–100%
8	Strobe	000 ⇔ 010	No function
		011 ⇔ 255	Strobe, slow to fast
9	Color temperature	000 ⇔ 255	Refer to Color Temperature DMX Chart
10	Hue	000 ⇔ 255	-25–25
11	Dimmer speed (Hold for 3 seconds, then release: Overrides and changes menu selection)	000 ⇔ 051	Current dimmer speed mode
		052 ⇔ 101	Linear dimmer
		102 ⇔ 152	Nonlinear dimming curve 1 (fastest)
		153 ⇔ 203	Nonlinear dimming curve 2
12	Red shift	204 ⇔ 255	Nonlinear dimming curve 3
		000 ⇔ 010	No function
		011 ⇔ 127	On
		128 ⇔ 255	Off

9Ch

Channel	Function	Value	Percent/Setting
1	Dimmer	000 ⇔ 255	0–100%
2	Red	000 ⇔ 255	0–100%
3	Orange	000 ⇔ 255	0–100%
4	Green	000 ⇔ 255	0–100%
5	Royal blue	000 ⇔ 255	0–100%
6	Blue	000 ⇔ 255	0–100%
7	Lime	000 ⇔ 255	0–100%
8	Strobe	000 ⇔ 010	No function
		011 ⇔ 255	Strobe, slow to fast
9	Red shift	000 ⇔ 010	No function
		011 ⇔ 127	On
		128 ⇔ 255	Off

6Ch

Channel	Function	Value	Percent/Setting
1	Dimmer	000 ⇔ 255	0–100%
2	Dimmer fine	000 ⇔ 255	0–100%
3	Color temperature	000 ⇔ 255	Refer to Color Temperature DMX Chart
4	Hue	000 ⇔ 255	-25–25
5	Strobe	000 ⇔ 010	No function
		011 ⇔ 255	Strobe, slow to fast
6	Red shift	000 ⇔ 010	No function
		011 ⇔ 127	On
		128 ⇔ 255	Off

6Ch2

Channel	Function	Value	Percent/Setting
1	Red	000 ⇔ 255	0–100%
2	Orange	000 ⇔ 255	0–100%
3	Green	000 ⇔ 255	0–100%
4	Royal blue	000 ⇔ 255	0–100%
5	Blue	000 ⇔ 255	0–100%
6	Lime	000 ⇔ 255	0–100%

4Ch

Channel	Function	Value	Percent/Setting
1	Dimmer	000 ⇔ 255	0–100%
2	Color temperature	000 ⇔ 255	Refer to Color Temperature DMX Chart
3	Hue	000 ⇔ 255	-25–25
4	Red shift	000 ⇔ 010	No function
		011 ⇔ 127	On
		128 ⇔ 255	Off

2Ch

Channel	Function	Value	Percent/Setting
1	Dimmer	000 ⇔ 255	0–100% (color set through menu)
2	Red shift	000 ⇔ 010	No function
		011 ⇔ 127	On
		128 ⇔ 255	Off

5. Technical Information

Product Maintenance

To maintain optimum performance and minimize wear, clean this product frequently. Usage and environment are contributing factors in determining the cleaning frequency.

Clean this product at least twice a month. Dust build-up reduces light output performance and can cause overheating. This can lead to reduced light source life and increased mechanical wear.

To clean the product:

1. Unplug the product from power.
2. Wait until the product is at room temperature.
3. Use a vacuum (or dry compressed air) and a soft brush to remove dust collected on the external vents.
4. Clean all transparent surfaces with a mild soap solution, ammonia-free glass cleaner, or isopropyl alcohol.
5. Apply the solution directly to a soft, lint-free cotton cloth or a lens-cleaning tissue.
6. Softly drag any dirt or grime to the outside of the transparent surface.
7. Gently polish the transparent surfaces until they are free of haze and lint.



Always dry the transparent surfaces carefully after cleaning them.

6. Technical Specifications

Dimensions and Weight

Length	Width	Height	Weight
12.48 in (317 mm)	12.83 in (326 mm)	14 in (363 mm)	12 lb (5.5 kg)

Note: Dimensions in inches rounded to the nearest hundredth.

Power

Power Supply Type	Range	Voltage Selection
Switching (internal)	100 to 240 VAC, 50/60 Hz	Auto-ranging

Parameter	120 V, 60 Hz	208 V, 60 Hz	230 V, 50 Hz
Consumption	150 W	155 W	158 W
Operating Current	1.22 A	0.70 A	0.66 A
Power-linking current (products)	13.6 A (5 products)	13.6 A (9 products)	13.6 A (10 products)

Power I/O	U.S./Canada	Worldwide
Power input connector	Neutrik® powerCON®	Neutrik® powerCON®
Power output connector	Neutrik® powerCON®	Neutrik® powerCON®
Power cord plug	Edison (U.S.)	Local plug

Light Source

Type	Color	Quantity	Power	Current	Lifespan
LED	Red	6	3–4 W	1 A	50,000 hours
	Orange	6			
	Green	6			
	Royal blue	4			
	Blue	10			
	Lime green	16			

Photometrics

Parameter	Medium Lens	Wide Lens
Beam Angle	121°	54°
Field Angle	35°	84°
Illuminance @ 5 m	1,220 lux	220 lux

Thermal

Maximum External Temperature	Cooling System
113 °F (45 °C)	Convection

DMX

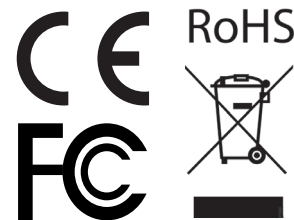
I/O Connector	Channel Range
3- and 5-pin XLR	2, 4, 6, 6, 9, 12, 16, and 18

Ordering

Product Name	Item Code	UPC Number
Ovation P-56VW	03031501	781462218492



UL 1573
CSA C22.2 No. 166
E113093



Photometrics Charts

Medium			Light Source (Imperial)		Wide		
Distance	21° Beam Diameter	35° Field Diameter	Footcandle		Footcandle	54° Beam Diameter	84° Field Diameter
15 ft	5.56 ft	9.46 ft	136		24	15.29 ft	27.01 ft
20 ft	7.41 ft	12.61 ft	76		14	20.38 ft	36.02 ft
30 ft	11.12 ft	18.92 ft	34		6	30.57 ft	54.02 ft
40 ft	14.83 ft	25.22 ft	19		3	40.76 ft	72.03 ft
50 ft	18.53 ft	31.53 ft	12		2	50.95 ft	90.04 ft
75 ft	27.80 ft	47.29 ft	5		1	76.43 ft	135.06 ft
100 ft	37.07 ft	63.06 ft	3		1	101.91 ft	180.08 ft
125 ft	46.33 ft	78.82 ft	2		0	127.38 ft	225.10 ft
150 ft	55.60 ft	94.59 ft	1		0	152.86 ft	270.12 ft



Medium			Light Source (Metric)		Wide		
Distance	21° Beam Diameter	35° Field Diameter	Lux		Lux	54° Beam Diameter	84° Field Diameter
1 m	0.37 m	0.63 m	30,500		5,500	1.02 m	1.80 m
2 m	0.74 m	1.26 m	7,625		1,375	2.04 m	3.60 m
5 m	1.85 m	3.15 m	1,220		220	5.10 m	9.00 m
8 m	2.97 m	5.04 m	477		86	8.15 m	14.41 m
10 m	3.71 m	6.31 m	305		55	10.19 m	18.01 m
15 m	5.56 m	9.46 m	136		24	15.29 m	27.01 m
20 m	7.41 m	12.61 m	76		14	20.38 m	36.02 m
25 m	9.27 m	15.76 m	49		9	25.48 m	45.02 m
30 m	11.12 m	18.92 m	34		6	30.57 m	54.02 m



Returns

To get support or to return a product, contact:

- If you are located in the U.S., contact Chauvet World Headquarters.
- If you are located in the U.K. or Ireland, contact Chauvet Europe Ltd.
- If you are located in Benelux, contact Chauvet Europe BVBA.
- If you are located in France, contact Chauvet France.
- If you are located in Germany, contact Chauvet Germany.
- If you are located in Mexico, contact Chauvet Mexico.
- If you are located in any other country, DO NOT contact Chauvet. Instead, contact your local distributor. See www.chauvetprofessional.com for distributors outside the U.S., U.K., Ireland, Benelux, France, Germany, or Mexico.



If you are located outside the U.S., U.K., Ireland, Benelux, France, Germany, or Mexico, contact your distributor of record and follow their instructions on how to return Chauvet products to them. Visit our website www.chauvetprofessional.com for contact details.

Call the corresponding Chauvet Technical Support office and request a Return Merchandise Authorization (RMA) number before shipping the product. Be prepared to provide the model number, serial number, and a brief description of the cause for the return.

To submit a service request online, go to www.chauvetprofessional.com/service-request.

Send the merchandise prepaid, in its original box, and with its original packing and accessories. Chauvet will not issue call tags.

Clearly label the package with the RMA number. Chauvet will refuse any product returned without an RMA number.



Write the RMA number on a properly affixed label. DO NOT write the RMA number directly on the box.

Before sending the product, clearly write the following information on a piece of paper and place it inside the box:

- Your name
- Your address
- Your phone number
- RMA number
- A brief description of the problem

Be sure to pack the product properly. Any shipping damage resulting from inadequate packaging will be your responsibility. FedEx packing or double-boxing are recommended.



Chauvet reserves the right to use its own discretion to repair or replace returned product(s).

Contact Us

General Information	Technical Support
Chauvet World Headquarters	
Address: 5200 NW 108th Ave. Sunrise, FL 33351 Voice: (954) 577-4455 Fax: (954) 929-5560 Toll Free: (800) 762-1084	Voice: (844) 393-7575 Fax: (954) 756-8015 Email: chauvetcs@chauvetlighting.com Website: www.chauvetprofessional.com
Chauvet Europe Ltd	
Address: Unit 1C Brookhill Road Industrial Estate Pinxton, Nottingham, UK NG16 6NT Voice: +44 (0) 1773 511115 Fax: +44 (0) 1773 511110	Email: UKtech@chauvetlighting.eu Website: www.chauvetprofessional.eu
Chauvet Europe BVBA	
Address: Stokstraat 18 9770 Kruishoutem Belgium Voice: +32 9 388 93 97	Email: BNLtech@chauvetlighting.eu Website: www.chauvetprofessional.eu
Chauvet France	
Address: 3, Rue Ampère 91380 Chilly-Mazarin France Voice: +33 1 78 85 33 59	Email: FRtech@chauvetlighting.fr Website: www.chauvetprofessional.eu
Chauvet Germany	
Address: Bruno-Bürgel-Str. 11 28759 Bremen Germany Voice: +49 421 62 60 20	Email: DEtech@chauvetlighting.de Website: www.chauvetprofessional.eu
Chauvet Mexico	
Address: Av. de las Partidas 34 - 3B (Entrance by Calle 2) Zona Industrial Lerma Lerma, Edo. de México, CP 52000 Voice: +52 (728) 690-2010	Email: servicio@chauvet.com.mx Website: www.chauvetprofessional.mx

Visit the applicable website above to verify our contact information and instructions to request support. Outside the U.S., U.K., Ireland, France, Germany, Benelux, or Mexico, contact the dealer of record.