

LM400

PROFESSIONAL LED LIGHT

Dimming Brightness 30 steps
Connecting external power / Attachable battery
1/4" Screw mount (4 positions) / Wireless control (optional)



Before LM400 Using

Thank you for purchasing the Cineroid LED light.

The Cineroid LED employs a very high color rendering index (CRI). It displays a very stable color temperature and brightness so that both motion pictures and still images can be taken in their most natural color tones. Please read this user manual thoroughly before using the Cineroid LED.

Test Before Operating

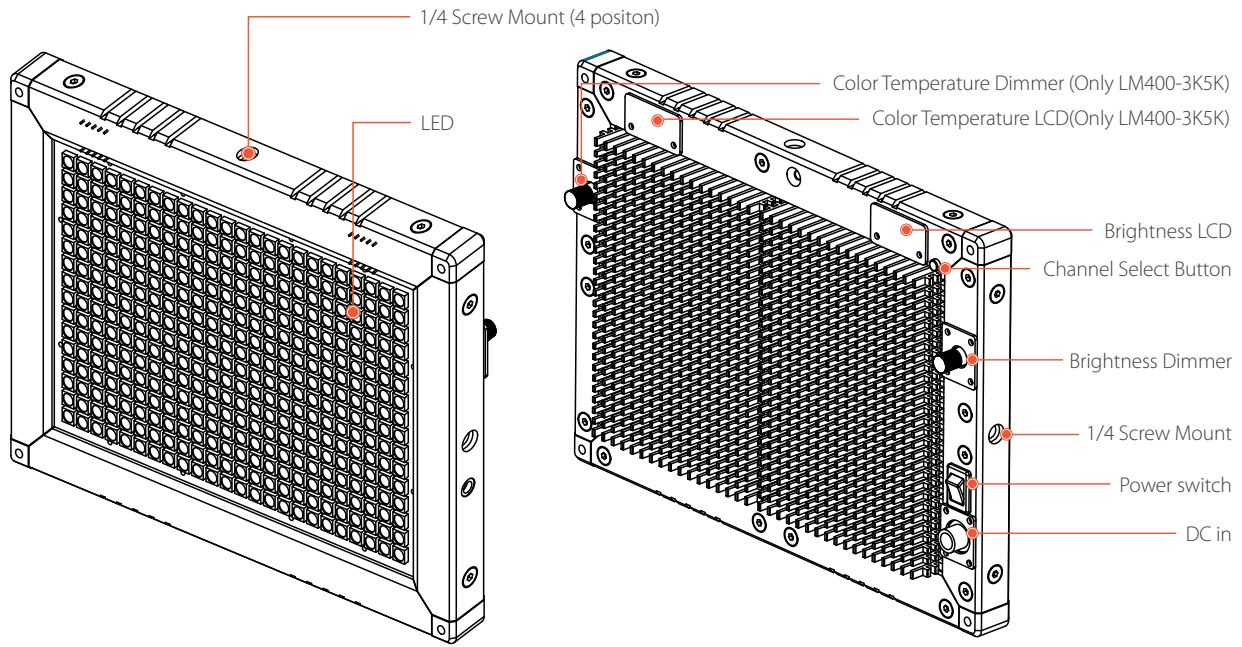
It is recommended to test the Cineroid LED before use. Make sure the light comes on when powered and that the brightness control works properly.

Safety Precautions

Please observe the following safety precautions as they are meant for the safe and proper use of the product to reduce the risk of accidents. Upon reading the user manual, keep it in a safe and available place.

- Do not use any batteries, power cord, or accessories that are not specified in this document.
- When using a power cord, be sure to plug it in completely. Do not handle power plugs when your hands are wet. When unplugging the power cord, grasp the plug body or adapter instead of the cord.
- Power cords that are scratched, heavily bent or twisted can potentially be hazardous and a source of electric shock and/or fire.
- Do not insert foreign objects into the product's electric or cable components.
- Do not place the power cord near sources of heat as this may melt or cause damage to the cord potentially causing fire or electric shock.
- Do not disassemble or modify the product. This may damage the product and cause danger due to a malfunction.
Please keep the product out of reach of young children. Injuries may occur due to damage to the product.
- When using the product in an airplane or hospital setting, it is recommended to acquire authorization first as signals or electro-magnetic waves from the product may cause other equipment to malfunction.
- Do not store the product in a dusty or humid environment as damage may occur.
- When the product is mounted on a camera, do not lift or move the camera by grabbing the product. This may cause damage to the product or the camera mount.
- Do not clean the product with paint thinner, benzene, or other volatile solvents. This may cause damage to the product and become a fire hazard.
- This product is not waterproof. If the product is dropped in water, contact the service center immediately.

Parts



Specification

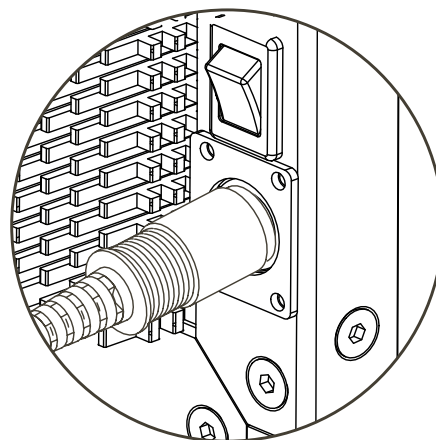
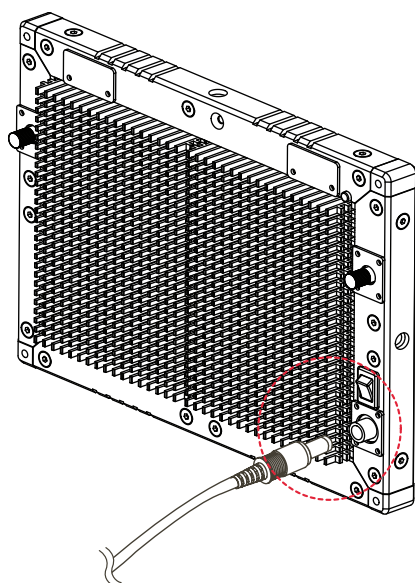
LM400-3K5K	
Size	191 x 141 x 25mm
Power input	10~17V
Light angle	120 degree
Brightness step	30 steps
Mount	1/4" screw mount (4 positions)
Weight	562 g (without Battery)
Display info	Brightness, Channel, Error warning
Photometric	1000 Lux / 1m
Color Temp	3000° K ~ 5400° K
Power drain	36W at 2000mA(15V)

LM400-5K	
Size	191 x 141 x 25mm
Power input	10~17V
Light angle	120 degree
Brightness step	30 steps
Mount	1/4" screw mount (4 positions)
Weight	562 g (without Battery)
Display info	Brightness, Channel, Error warning
Photometric	2000 Lux / 1m
Color Temp	5400° K
Power drain	72W at 4000mA(15V)

LM400-3K	
Size	191 x 141 x 25mm
Power input	10~17V
Light angle	120 degree
Brightness step	30 steps
Mount	1/4" screw mount (4 positions)
Weight	562 g (without Battery)
Display info	Brightness, Channel, Error warning
Photometric	2000 Lux / 1m
Color Temp	3000° K
Power drain	72W at 4000mA(15V)

Connecting External Power

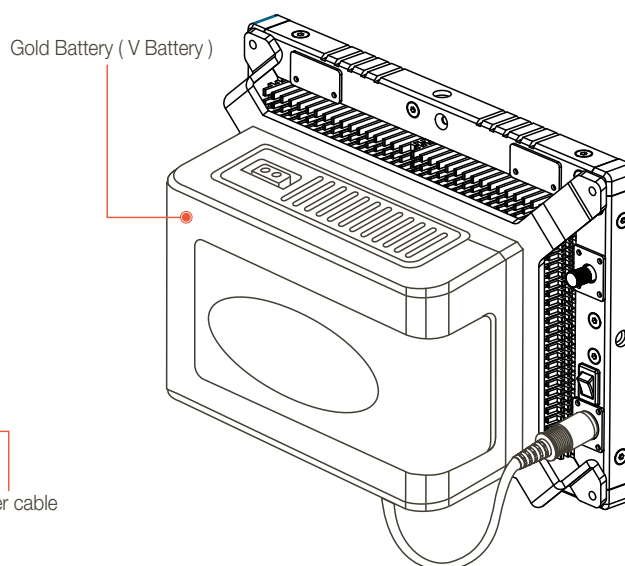
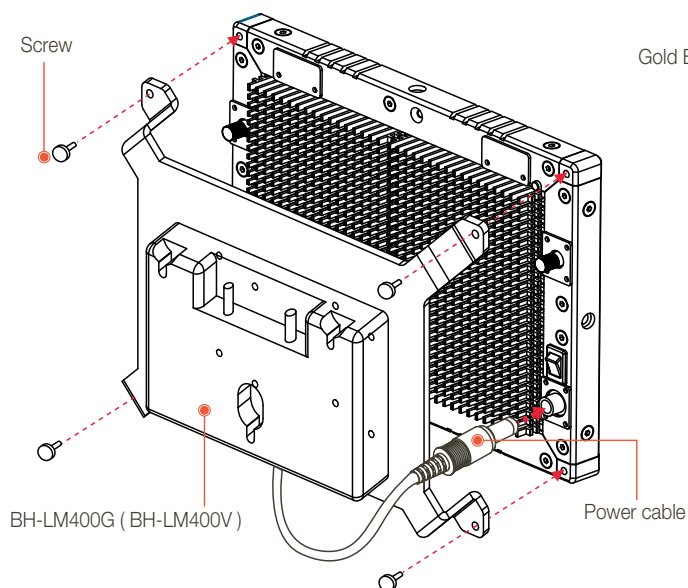
1. In addition to the rechargeable battery, external power sources can also be used to power the light.
2. 12V, 2A power is recommended for external power.
3. Remove the battery mount plug from the body.
4. Insert the power plug from the external power source.



DC in 10~16 V

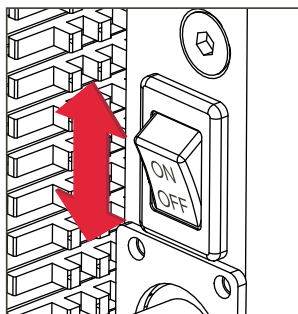
Installing the Battery

1. Attach the battery mount (optional product) to the back of the body with the use of the 4 screws on the mount.
2. Attach the battery to the battery mount. Be sure to charge fully the battery before installing.



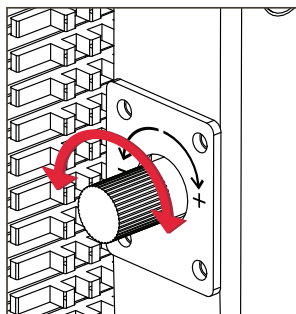
Setting / Control

1. Power On / Off



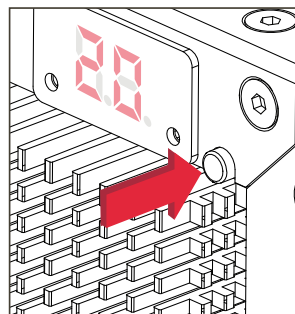
Push the power switch to "ON" to turn on the LED light. Check if the information is displayed properly. Push the power switch to "OFF" to turn off the LED light.

2. Brightness Control



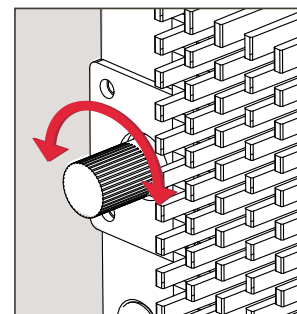
Turn the brightness dial side to side to adjust the brightness. The brightness range is from 0~30 and the current level is displayed on LCD. Turning the dial to the right increases brightness. Turning the dial to the left decreases brightness. When brightness value is zero, LED lights become off.

3. Channel Setting

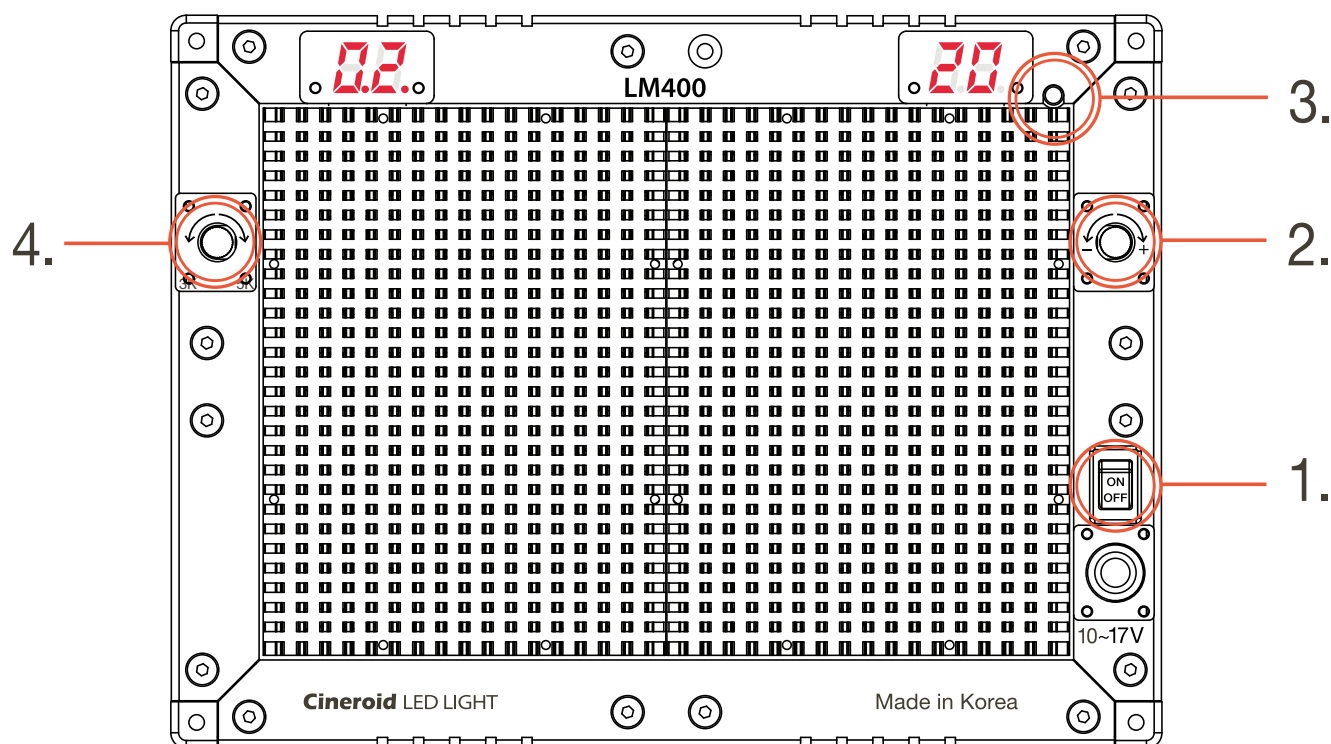


You can adjust the brightness of the LED Light by using a wireless controller. (optional product.) Press the Mode button to see the currently set channel. This will be shown blinking. To change channels, hold down the mode button and turn the Brightness dimmer.

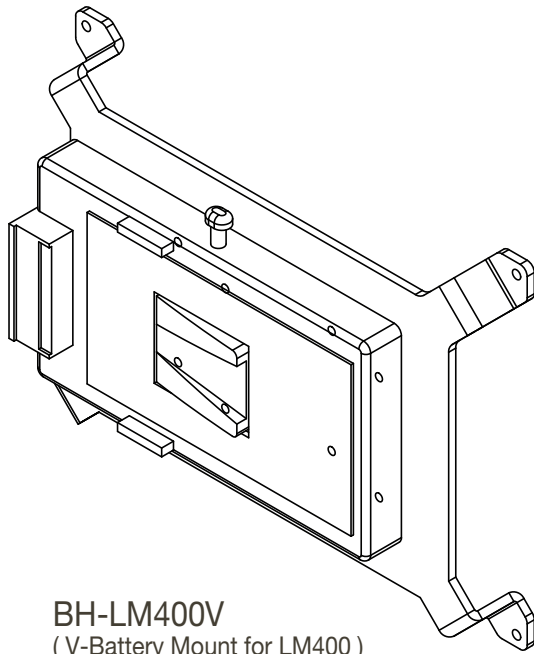
4. Color Temperature Control (LM400-3K5K only)



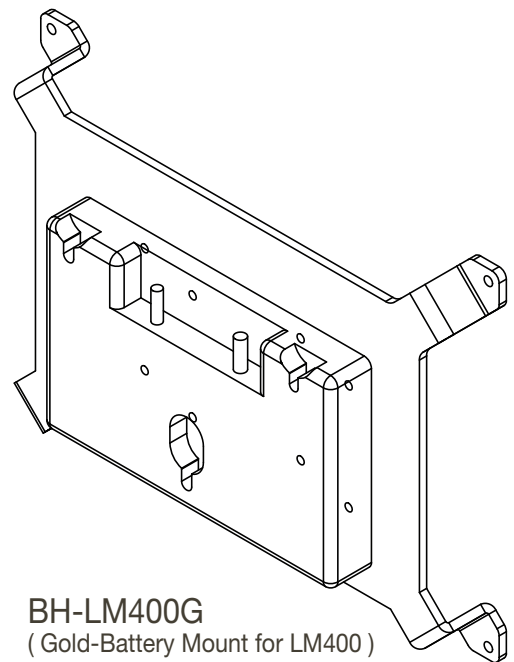
Turn the Color Temperature dial side to side to adjust the Color Temperature. The color temperature range is from 3000° K ~ 5400° K and the current level is displayed on Color temperature LCD on LM400-3K5K.



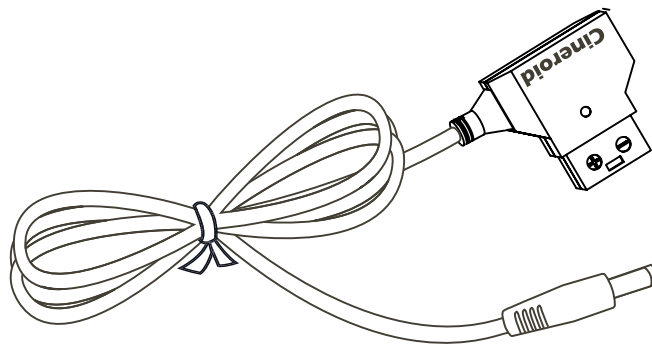
Optional Products



BH-LM400V
(V-Battery Mount for LM400)



BH-LM400G
(Gold-Battery Mount for LM400)



PA05
(DC plug with D-tap)

Cineroid
Cinema & Broadcasting Equipment

Rm.510, Kolon Science Valley #2, Guro-dong, 811, Guro-gu, Seoul, 152-728, Korea
Tel. +82.70.4347.4901 Fax. +82.2.850.3027
E-mail / sales@secu-line.com