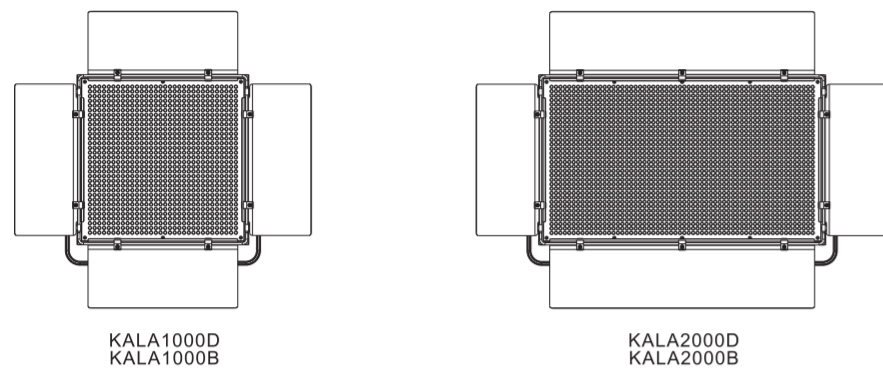


## Product Introduction

The new series of professional LED video light that contains four versions: KALA1000D, KALA1000B, KALA2000D and KALA2000B. KALA1000D/B is made of 1024 LED bulbs and KALA2000D/B is made of 2048 LED bulbs. The KALA1000D and KALA2000D are daylight balanced and adjustable brightness. KALA1000B and KALA2000B can adjust brightness and color temperature. With high quality LED bulbs, the lights have high CRI96+, great brightness and right color. Meanwhile, practical soft diffusion, 360° rotation U bracket improve your light set-up and stabilization.

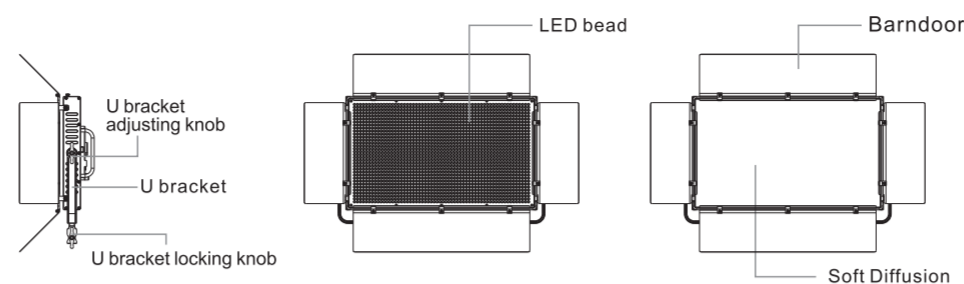
## Main Features



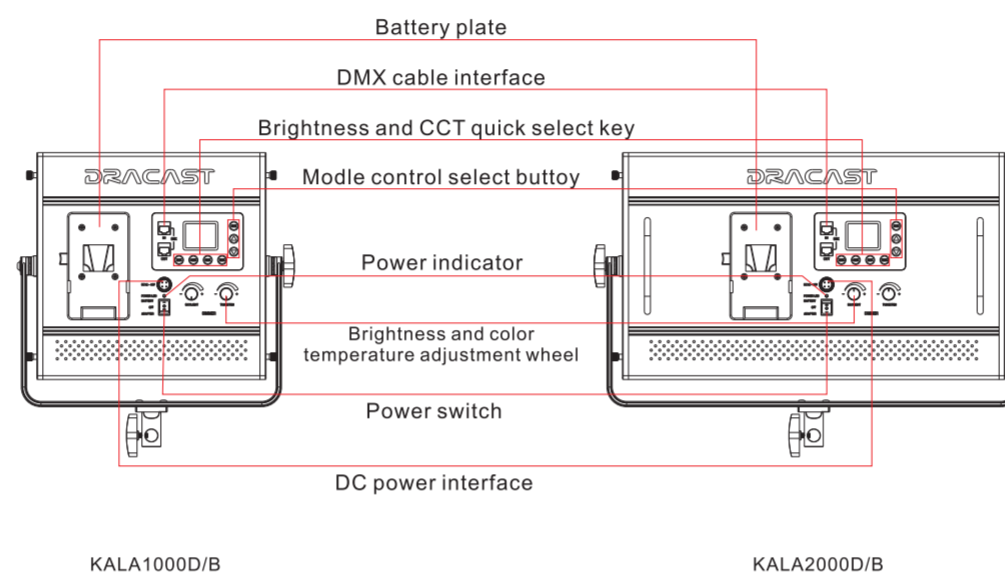
- Ultra Heat Dissipation
- Delicate Design with Aviation Aluminum Alloy Housing
- High Color Rendering Index, CrI96+
- LCD digital display
- PWM Dimming Technology
- Brightness Adjustment
- Color Temperature Adjustment
- Dual Power System
- Convenient Light Set-Up and Stabilization system

1

## Front View



## Back View



2

## Accessories

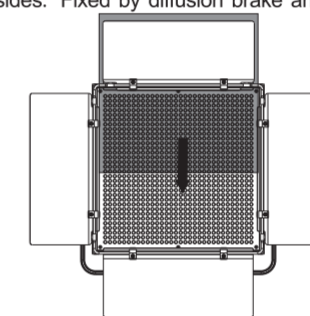


## Operations

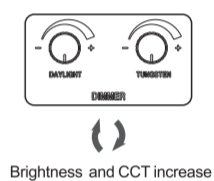
- 1 Install the light on the light stand by rotating clockwise, counterclockwise to uninstall it.
- 2 Insert the soft diffusion into the light panel sides. Fixed by diffusion brake and screw.
- 3 Insert the DC adapter/Put on the battery. Turn on the power switch.
- 4 Rotate the brightness adjustment wheel clockwise to increase your brightness. Set your required color temperature by the CCT adjustment wheel.



- 2 Insert the soft diffusion into the light panel sides. Fixed by diffusion brake and screw.



- 4 Rotate the brightness adjustment wheel clockwise to increase your brightness. Set your required color temperature by the CCT adjustment wheel.



Brightness and CCT increase

3

## Specificati

Model	KALA1000D KALA1000B	KALA2000D KALA2000B
Details		
LEDS	1024	2048
CRL	96+	96+
Voltage	DC 15V	DC 15V
Color Temperature	5600(±50) 3200-5600(±50)	5600(±50) 3200-5600(±50)
Power Consumption	50W	100W
Size	303*386*48mm	566*386*48mm
Weight	3060.5g/6.75LBS	4300.5g/9.92LBS

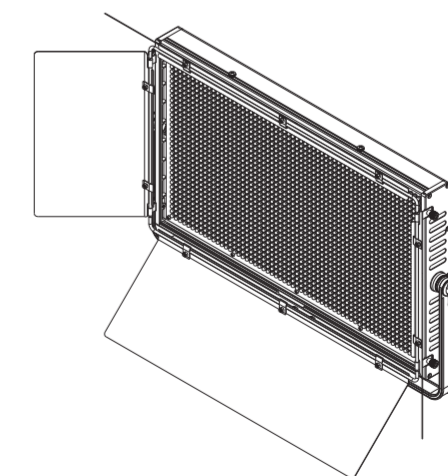
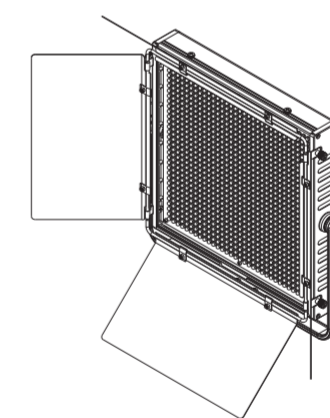
### Attention

1. Do not look at the working light directly.
2. Do not cover the working light, or it will avoid the product cooling to damage it.
3. Do not place the Light at flammable items such as alcohol, gasoline or near volatile solvent.
4. Do not place any liquid on the Light interior or fall into the Light.
5. Power off when you finish use the Light in case of a fire.
6. Carefully to move the Light in case of dropping it down.

# DRACAST

www.dracast.com

# DRACAST



KALA1000D KALA2000D  
KALA1000B KALA2000B

Product Manual