

DVDO



DVDO-Switcher-41-USBC-HDMI

8K 4x1 Switcher with 1 USB-C + 3 HDMI Inputs

User Manual

Version v1.0

Introduction

DVDO-Switcher-41-USBC-HDMI is an 8K@60Hz (7680x4320p) 4:4:4 switcher that allows the connection of three HDMI video sources and one USB-C video source to an HDMI based display or projector.

It features four independent inputs (3 x HDMI + 1 x USB-C) that each support 8K resolution and 7.1 surround sound audio, delivering pristine video quality.

It is backward compatible with Ultra HD 4K, Full HD 1080p as well as lower video resolutions.

DVDO-Switcher-41-USBC-HDMI offers with three different switching modes:

1. Manual Switching: allows you to manually select your HDMI source with a button on the front panel.
2. Automatic Switching: allows your most recently activated video source to be displayed automatically.
3. Remote Control Switching: allows you to switch between sources from a distance using the remote control.

The Manual and Automatic switching modes can be changed by pressing the "Select" button for 3-5 seconds.

DVDO-Switcher-41-USBC-HDMI also includes USB-A and USB-C ports on the front panel to charge external devices.

Features

- Automatic or manual switching
- 3 x HDMI + 1 x USB-C inputs / 1 x HDMI output
- Support video resolutions up to 8K@60Hz 4:4:4, 4K@120Hz and 1080p@240Hz
- HDCP 2.3, backward compatible with the HDCP2.2 and HDCP1.4
- USB-C input compatible with Thunderbolt 3 and DP1.4 alt mode
- 1 x USB-A + 1 x USB-C charging ports up to 5 Watts (5V / 1A) - only one port can charge at a time
- High Dynamic Range (HDR) video pass-through such as HDR10/HDR10+/Dolby Vision
- Support full 3D video format
- Supports VRR (Variable Refresh Rate), ALLM (Auto Low-latency Mode), and QFT (Quick Frame Transport) functions
- Built-in Equalizer, Retiming and Driver
- Consumer Electronics Control (CEC)
- The IR control can be disabled / enabled by pressing the "SELECT" button on the front panel for 6 seconds or the IR button on the remote control
- Support uncompressed audio such as LPCM and compressed audio such as DTS, Dolby Digital (including DTS-HD Master Audio, Dolby TrueHD & Dolby Atmos)

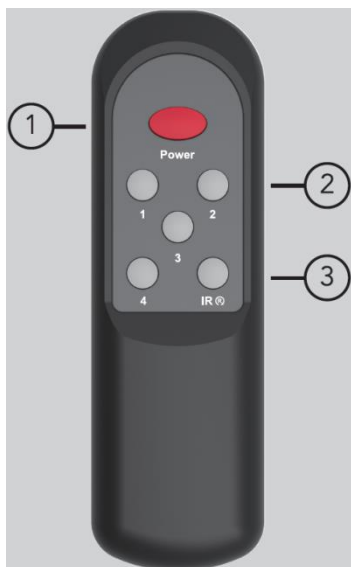
Notes:

1. Your USB-C source must transmit video in order to work with the USB-C input port.
2. In order for the switcher to output 8K@60Hz 4:4:4, your USB-C source needs to be compatible with DP 1.4 (standard with DSC) or Thunderbolt 4 (for windows notebook) and be able to output an 8K@60Hz 4:4:4 signal.
3. Your USB-C cable must be a standard USB 3.1 cable (not included) that transmits audio & video.
4. Standard HDMI 2.1 cables are needed to transmit 8K signals.

Package Content

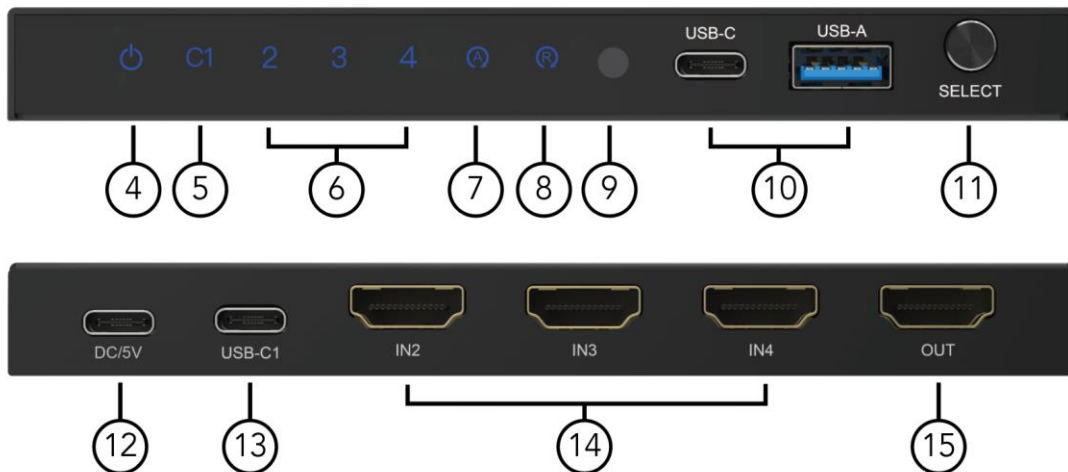
- DVDO-Switcher-41-USBC-HDMI switcher
- 5V 2A USB power adapter
- Remote control
- User manual



Operation



Remote control dimensions: 12.8 x 4 x 1.7 cm / 5 x 1.6 x 0.7 in


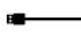
1. Power: Press to turn on/off the switcher
2. 1 / 2 / 3 / 4: Input port numbers
3. **IR**: Press to turn on/off the IR receiver function. The IR receiver function is on if the IR mode LED on the front panel is turned on.



4.  : Power LED indicator
5. C1: USB-C 1 input LED indicator
6. 2 / 3 / 4: HDMI 2, 3 & 4 input LED indicators
7. AUTO: Auto mode LED indicator,
 ON: Automatic switching mode
 OFF: Manual switching mode
8.  : IR mode LED indicator
 ON: Normal IR function mode
 OFF: IR function mode disabled
9. IR receiver sensor for remote control
10. USB-C & USB-A: Charging ports for external devices
11. SELECT: Select Input Port Button
12. DC/5V: Power port (USB-C type)
13. USB-C1: USB-C 1 input port
14. IN2 / IN3 / IN4: HDMI 2, 3 & 4 input ports
15. OUT: HDMI output port

Connection Diagram



 HDMI Cable  HDMI signal flow  USB-C Cable  USB-A Cable

Specifications

Video	
HDMI Compliance	HDMI 2.0b / HDCP 2.3/2.2/1.4
Connections	Inputs: 3 x HDMI + 1 x USB-C (compatible with Thunderbolt 3 & DP 1.4 alt mode) Outputs: 1 x HDMI Charging ports: 1 x USB-C + 1 x USB-A up to 5W (not simultaneous)
Resolutions Supported	Up to 8K@60Hz 4:4:4 / 4K@120Hz / 1080p@240Hz
Bandwidth	48Gbps (12Gbps per channel x 4 channels)
High Dynamic Range	HDR10 / HDR10+ / Dolby Vision
Control Method	IR Remote, Front Panel Button, Automatic Switching, CEC
Audio	
Audio Formats Supported	Uncompressed LPCM / Compressed DTS, Dolby Digital including DTS-HD Master Audio, Dolby TrueHD & Dolby Atmos
General	
Enclosure	Black metal
Operating Temperature	0°C to 50°C (32°F to 122°F)
Humidity	5% to 80% RH non-condensing
Power Supply	5V 2A USB-A power adapter
Power Consumption	10W Max
Device Dimensions	139 x 64.5 x 15mm / 5.5 x 2.5 x 0.6 in (W x D x H)
Product Weight	0.19kg / 0.42lb

Troubleshooting

Problems	Causes	Solutions
Power light is off and product is not working	Is the USB power cable properly connected and the HDMI input source is on	Please check if the power adapter is connected properly and switch on the HDMI input source
Screen splash	HDMI cable may not be HDMI 2.1 specification or the cable is too long	Please use the standard HDMI 2.1 cable, the input/output cable length does not exceed 2M at 8K/60Hz 4:4:4, 4K@60Hz can reach 5M to 5M
The remote control is not working	Maybe the plastic stick between the battery and remote box is not remove or the IR receiver function is turn off and the IR receiver indicator is off	Please remove the plastics first and check the IR receiver indicator is on or not, customer can change the states via press the remote button or long press the switch button for 6s to turn on the IR receiver function
Can't get the 8K@60Hz 4:4:4 resolution for USB-C input port	Maybe the notebook's USB-C output bandwidth is not enough	Please change a notebook compatible with the DP 1.4 standard or thunderbolt 4 for windows notebook only to get 8K@60Hz 4:4:4 out, the Mac OS notebook can only output 4K60Hz



Dolby is a trademark of Dolby Laboratories.

The Adopted Trademarks HDMI, HDMI High-Definition Multimedia Interface, and the HDMI Logo are trademarks or registered trademarks of HDMI Licensing Administrator, Inc. in the United States and other countries.

All other trademarks, registered trademarks, or service marks are the property of their respective owners.

DVDO

Follow us

