

1 Unpacking

Open the carton and unpack the items. Your package should include:

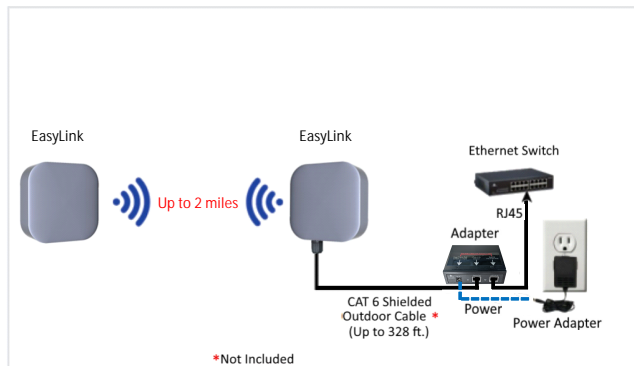
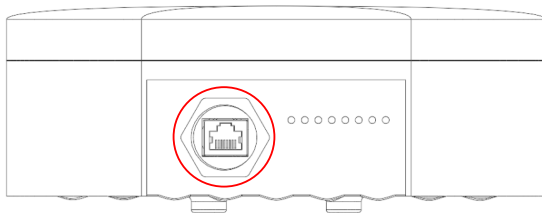
- 1 x EasyLink A outdoor-rated wireless bridge Unit
- 1 x EasyLink B outdoor-rated wireless bridge Unit
- 2 x Passive PoE Injectors/Converters
- 2 x Power Supplies (for use with passive PoE injectors when connected to a non-PoE source)
- 2 x Pole Mount kits
- 2 x Wall Mount kits

If any items are missing or damaged, notify your EtherWAN representative.

2 Supplying Power

All EasyLink Pro series models are passive PoE powered with no AC or DC power socket. Power is supplied through an Ethernet cable plugged into the RJ45 port (shown in the figure below). The cable must be connected to the included PoE power injector/converter. The converter can be used with a power supply to connect to a non-PoE source **or** connected directly to an active PoE source such as a standard PoE switch. The maximum power consumption is 12 watts. The power supplies that come with the EasyLink Pro series are rated 24VDC, 36W. The injectors themselves support a DC input 24VDC for customer supplied power options.

RJ-45 PoE Port



3 Physical Installation

NOTE: It is recommended to test all wireless devices before the final installation. This includes bench testing and signal testing of the EasyLink unit in the positions where they will be mounted. Loosely mount EasyLink units in the intended installation spots and ensure that the transmission signal is strong enough for the intended application.

The minimum and maximum recommended distance between EasyLink A and EasyLink B are 100 feet minimum to 2 miles maximum.

This product is designed for outdoor installation on a pole or wall. It is recommended to install the EasyLink at a height of at least 15 feet. A higher mounting position will result in a stronger signal, especially at longer distances. If there are obstacles between the devices, mount them at a higher height to avoid the obstacles. Mount the device with the ethernet port and LEDs facing down.

The EasyLink Pro Kit comes with two mounting options - pole mount and wall mount.

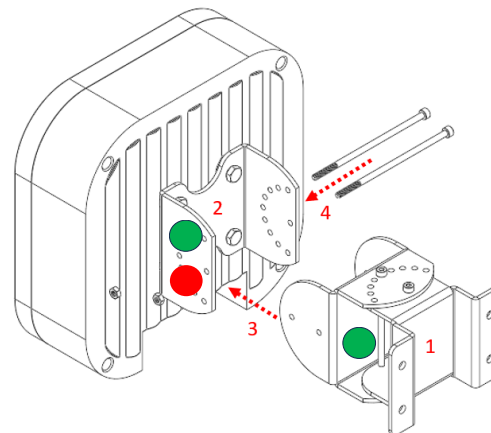
4 Plug and Play

The EasyLink Pro kits contain A and B units that are pre-configured to connect to each other. Note that there is no configuration needed to get the devices working.

5 Mounting

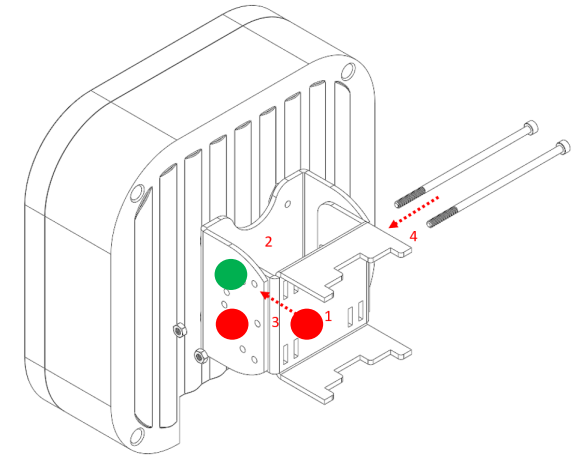
Wall Mounting

Mount (1) to the surface. Attach (2) to the device using included hardware. Align (1) and (2) at the desired angle and secure with the included hardware (4). For easier identification, the components are color coded as per below.

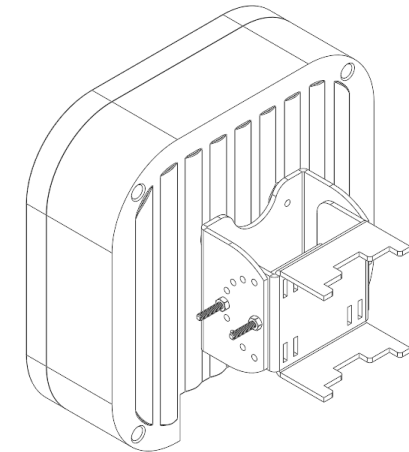


Pole Mounting

Mount (1) to the pole/mast using the included hose clamps or other clamps with 7/16" or less width. Attach (2) to the device using included hardware. Align (1) and (2) at the desired angle and secure with the included hardware (4). For easier identification, the components are color coded below.



See below for the assembled view



EasyLink Alignment

Once the EasyLink units are in place, adjust each individual unit to point directly at the opposite unit. The wireless signal strength is indicated on the LEDs on the bottom of the unit.

- Left to Right adjustments are made by loosening the pole mount and turning the unit left or right on the pole to align EasyLink pairs or adjusting the horizontal angle on the wall mount bracket
- Up and Down adjustments are made by adjusting the angle in the pole mount kit

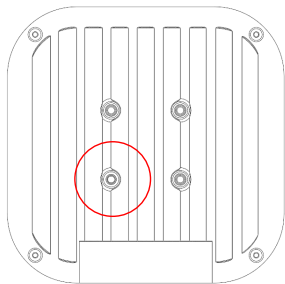
Led Indicators



- Power LED is on once the unit is booted up and running
- ETH Act shows Ethernet activity
- Signal Strength - the higher the signal strength, more LEDs will be lit

Grounding

The EasyLink units are grounded internally to the screw that attaches to the mounting kit. Attaching the mount to a grounded pole will also ground the device.



Ethernet Cable Requirements

The EasyLink Outdoor Wireless Bridge requires Shielded Ethernet cables for outdoor use.

- Shielded CAT 5e or better
- Shielded Metal RJ45 Connectors
- Grounded Ethernet Switch

Contact your EtherWAN representative for Ethernet cables available designed specifically for the EasyLink series and other EtherWAN Wireless devices.

Ordering Information

Model

EasyLink-PRO-US	Wireless Bridge Kit - Two paired Wireless Bridge units, 2 x 24VDC, 1.5A Power Supply, 2 x Passive PoE Injector/Converter (PoEPowerEZ), and 2 x Wall/Pole Mounting Kits
------------------------	--

Accessories

EPOW-24-60-A	Hardened Power Supply rated for use in temperatures -40° to 167°F
JPole18	18" Wall Mount J-Pole
EasyLink-PSU-INJ	Replacement Power Supply and Gigabit Passive PoE Injector for EasyLink Wireless Bridge Series
Cable 3	3' Shielded Twisted Pair CAT 6 Cable with UV Resistant Coating
Cable 25	25' Shielded Twisted Pair CAT 6 Cable with UV Resistant Coating
Cable 50	50' Shielded Twisted Pair CAT 6 Cable with UV Resistant Coating
Cable 150	150' Shielded Twisted Pair CAT 6 Cable with UV Resistant Coating
Cable 300	300' Shielded Twisted Pair CAT 6 Cable with UV Resistant Coating
PoEPowerEZ	*Included - Active PoE to Passive PoE Converter Hardened -40°F to 167°F (Powers the EasyLink Pro using a Standard PoE Switch)