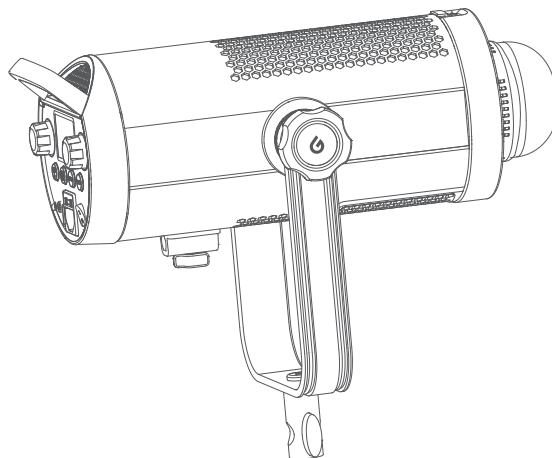




Godox



Wechat
Official Account
神牛微信公众号

深圳市神牛摄影器材有限公司

地址: 深圳市宝安区福海街道塘尾社区耀川工业区厂房2栋 电话: 0755-29609320(8062)

传真: 0755-25723423 邮箱: godox@godox.com

GODOX Photo Equipment Co., Ltd.

Add.: Building 2, Yaochuan Industrial Zone, Tangwei Community, Fuhai Street, Bao'an District, Shenzhen

518103, China Tel: +86-755-29609320(8062) Fax: +86-755-25723423 E-mail: godox@godox.com

www.godox.com

Made in China | 705-SL32B0-00



SL300II Bi

双色温LED摄影灯
Bi-color LED Video Light

说明手册
Instruction Manual

重要的安全说明及注意事项

首先作为最基本原则:本产品为专业灯光布景设备,应由专业灯光师使用或在专业人士指导下使用。使用时必须始终遵循基本的安全预防措施,具体安全预防措施如下:

1. 使用前必须阅读并理解产品说明书。
2. 专业灯具,禁止儿童使用。当儿童靠近时,家长或监护人必须密切监督,以免儿童因碰撞灯具或私用灯具造成人身伤害。
3. 本灯具并非普通照明灯具,不可用于普通照明,任何有过眼部损伤或眼部敏感的人群均应避免使用本灯具。
4. 灯具点亮时,必须小心使用,禁止接触高温部件,如 LED 灯珠,以免造成灼伤。
5. 灯具点亮时,任何情况下均禁止直视灯珠。应该在专业灯光师指导下使用强光,任何情况下避免长时间处于强光环境,如引起眼睛不适,请及时关闭灯具,暂停使用,请及时就医。
6. 倘灯珠损坏或因热变形,应停止使用,并及时联系制造商、服务代理商或合格的维修人员更换灯珠,以免发生意外。
7. 本产品仅适用于-10°C-40°C工作环境温度及正常湿度环境下使用。
8. 请勿使用损坏的设备或设备配件,待专业维修人员检查维修,确认设备正常方可使用。
9. 在使用过程中,如果本产品由于跌落、受到挤压或遭受强烈冲击而造成外壳破裂的,请勿继续使用,以免因接触到内部电子元件而受到电击伤害。
10. 如需要延长线,请使用额定电流 \geq 该设备额定电流的延长线。如延长线额定电流小于该设备,可能导致过热。
11. 部分产品电源线较长,请合理放置电源线,使其处于安全位置。避免电源线接触过热物体表面、避免放置不当导致拉扯损坏或绊倒现场人员。请使用本厂原装电源线,如使用非本厂电源线导致产品损坏,概不在本厂维修范围内。
12. 在清洁和维修之前,请务必从电源插座上拔下该设备插头。不使用时,禁止拉扯电源线以将设备插头从电源插座中拔出。正常断电,应是用手抓住该设备插头两端,将插头从电源插座中拔出。此设备需连接到接地插座中。

13. 本设备没有防水性能,请让设备保持干燥,请勿将本设备浸入水中或其他液体中。设备需安装在干燥且通风处,避免在雨天、潮湿、多尘或过热环境下使用。请勿将任何物体置于灯具上或使液体流入灯具内部,以免发生意外。
14. 请勿私自拆卸产品,如产品出现故障,须由本公司或授权的维修人员进行检查维修。
15. 存放本设备之前,请确保设备已完全冷却。存放时,将电源线从设备上拔出。设备应放置于设备便携包内或通风干燥处。
16. 请勿将设备放置在酒精、汽油等易燃易爆挥发的溶剂附近。
17. 本厂不推荐的产品附件,请勿使用,以免导致火灾、触电或人身伤害。
18. 清洁本设备时,请勿用湿布擦拭,请用干布,软布擦拭设备污垢。
19. 设备使用前,请注意将保护罩取下。
20. 本产品已通过 ROHS, CE, KC 和 FCC 认证,请参考相关国家标准使用和操作。
21. 安全说明依据本厂严格测试制定,设备设计和规格如有变更,恕不另行通知。客户可以上神牛官网查看最新的电子版说明,了解产品最新资讯。
22. 部分产品内置锂电池。此类产品请使用专用的充电器进行充电,并且按正确的操作说明,在规定的电压、温度范围内使用。
23. 部分产品使用电池供电。此类产品请勿使用说明书中未指定的任何电池、电源或附件。请将电池和其他附件置于儿童及婴幼儿无法触及之处。如果儿童或婴幼儿吞下电池或附件,请立刻就医。如果电池漏液、变色、变形、冒烟或发出异味,请立刻将其取出。在取出过程中请小心,以免烫伤。如果继续使用,可能会引起火灾、触电或皮肤烫伤。请勿使用任何变形或改造过的电池。请勿拆卸或改造本产品或电池。请勿加热电池或焊接电池。请勿让电池与火或水接触。请勿让电池受到强烈的外力撞击。请勿将电池的正负端错误插入,或将新旧电池或不同类型的电池混合使用。
24. 一年保修期,消耗品电池、适配器、电源线等配件不在此保修范围内。
25. 经发现,擅自检修设备,将取消一年保修期,维修需要收取相关费用。
26. 对于不规范操作引起的机器故障不在保修范围内。

保存这些说明

前言

双色温LED摄影灯SL300IIBi在原有SL300II基础上增加了双色温选择,拥有9种预设光效、超高显色指数、输出功率300W,为专业用户提供柔和稳定光源和极致的用光体验。该机常用于电商网络直播、短视频拍摄、人像拍摄、人物采访、静物拍摄等众多场景。另购RC-A6遥控器,还能无线分组,无线调光,操作简便易用。

主要特点:

- 宽广色温,色温调节范围(2800K-6500K)。
- 预设9种FX光效,能够模拟各种光效,轻松实现创意光效。
- 开启静音模式,实现零噪音,无干扰。
- 内置神牛2.4G无线,可无线调节LED灯。
- 光源明亮,亮度0%-100%精确调节,调节范围为0°-180°。
- 另购RC-A6遥控器,实现16组32频道分组遥控。
- U型支架设计,可吊装,方便调节。
- 通用保荣卡口,兼容各类光效附件。
- 选用高清LCD屏,使用舒适。
- 超高显色指数,适合各品类产品拍摄。

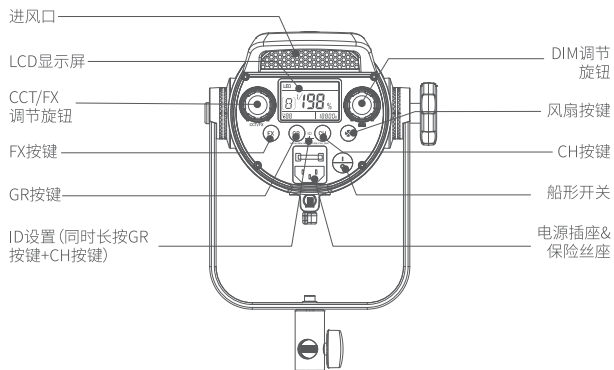
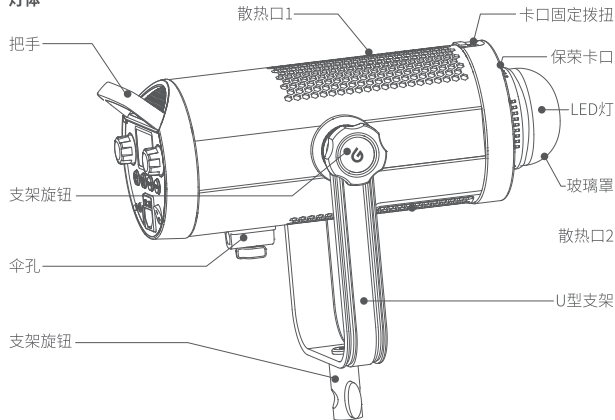
警告

- ⚠ 请保持干燥;请勿用湿手接触产品,请勿将产品浸入水中或暴露于雨中。
- ⚠ 请勿私自拆卸产品,如产品出现故障须由本公司或授权的维修人员进行检查维修。
- ⚠ 请勿让儿童接触本产品。
- ⚠ 本产品不能防水,在雨天及潮湿环境下请注意防水。
- ⚠ 请勿放置在超过40摄氏度的高温环境中。
- ⚠ 请勿在化学品、可燃性气体或其他特殊物质附近使用LED摄影灯。在这些场合下,请注意相关警告标识。
- ⚠ 设备工作时会发热,请小心触摸!
- ⚠ 本产品工作时,请勿遮挡散热口。
- ⚠ 如果LED摄影灯灯体发生损坏,请务必停止使用并更换新的LED摄影灯。
- ⚠ 该LED摄影灯属于专业摄影灯光设备,请务必按照操作说明正确使用。

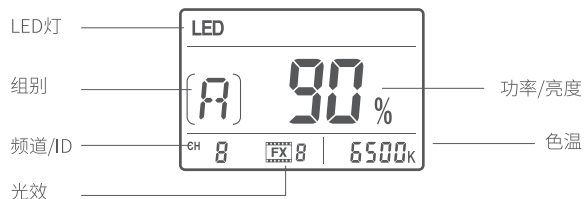
- ⚠ 请勿直视光源。

部件名称

灯体



显示屏

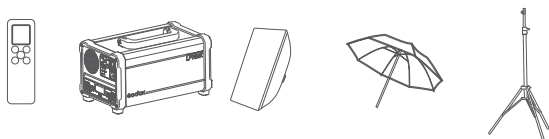


标配物品



可选购附件

可搭配本公司摄影附件使用, 以获得最佳的拍摄效果和使用体验:
RC-A6 遥控器、逆变器、柔光箱、反光伞、灯架等。



AC供电

通过电源线接通交流电源, 拨动LED灯上的电源开关至“**I**”, 即可开机。

操作说明

一、模式选择

1.1 LED静音模式:短按<静音>风扇按键, 使<静音>风扇按键不呈现发亮状态, 此刻为静音模式。静音模式零噪音, 无干扰。开启静音模式时, 亮度可调范围0%~20%。

1.2 LED光效模式:短按FX按键进入或退出光效模式。显示屏显示FX, 则表示当前进入了光效模式。旋转CCT/FX调节旋钮选择光效场景。此款LED灯有9种FX光效模式, 可以模拟各种拍摄场景, 轻松实现创意光效。

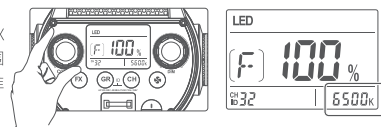
显示	FX1	FX2	FX3	FX4	FX5	FX6	FX7	FX8	FX9
光效场景	Flash1	Flash2	Storm1	Storm2	TV	坏灯泡	蜡烛	火	烟花

1.3 LED强光模式:短按<强光>风扇按键, 使<强光>风扇按键呈现发亮状态, 此刻为LED灯强光模式。灯体处于强光模式时, 输出功率能达到最大值。

二、设置

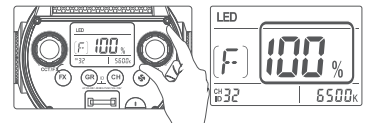
色温调节

在常亮LED灯模式下, 旋转CCT/FX调节旋钮可以调节色温范围(2800K~6500K), LCD显示屏将准确显示所设置的色温。



亮度调节

旋转DIM调节旋钮调节亮度, 亮度调节范围0%-100%, LCD显示屏将准确显示所设置的亮度。



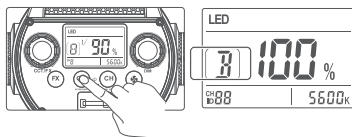
三、无线控制

双色温LED摄影灯SL300IIBi具备无线接收功能。另购遥控器RC-A6, 可同时分别控制16组灯, 32个频道, 99个无线ID, 抗干扰性强。

注: 使用前请把LED灯和RC-A6遥控器的频道(CH)、组别(GR)和ID调至一致。

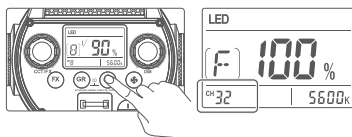
组别 GR、频道 CH、ID 设置

组别 GR 设置: 短按 GR 按键, 旋转 CCT/FX 调节旋钮选择组别 GR。
组别选择范围: A、B、C、D、E、F、0-9。



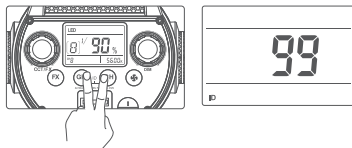
频道 CH 设置: 短按 CH 按键, 旋转 CCT/FX 调节旋钮选择频道 CH。

频道选择范围: 1-32。



ID 设置: 同时长按 GR 和 CH 键进入 ID 设置界面, 旋转 DIM 旋钮选择 ID。

ID 选择范围: OFF, 01-99。



照度数据

SL300II Bi					
色温	测试条件	照度单位	1m	2m	3m
2800K	裸灯	lux	5310	1400	645
		fc	493	130	60
	带标罩	lux	36100	7970	3420
		fc	3360	740	318
3200K	裸灯	lux	6730	1750	812
		fc	625	162	75.5
	带标罩	lux	44900	10020	4310
		fc	4170	931	401
4300K	裸灯	lux	8020	2050	963
		fc	745	191	89.5
	带标罩	lux	52300	11800	5080
		fc	4860	1100	472
5600K	裸灯	lux	7730	1970	924
		fc	718	183	85.9
	带标罩	lux	49900	11300	4850
		fc	4630	1050	451

6500K	裸灯	lux	6750	1690	794
		fc	627	157	74
	带标罩	lux	43300	9740	4170
		fc	3970	905	387

上述测试皆在灯体100%亮度下进行

产品参数

型号	SL300II Bi
供电	AC100V-240V(50/60Hz) 3.2A(Max.)
功率	最大 320W
色温范围	2800~6500K
CRI ≈	96
TLCI ≈	97
常亮模式调光范围	0%-100%
工作环境温度	-10~40°C
静音模式调光范围	0%-20%
频道	32个
组别	16组(A、B、C、D、E、F、0-9)
产品尺寸(不含反光罩)	407*316*199mm
净量(不含反光罩和保护盖)	3.78Kg

* 设计和规格如有变更, 恕不另行通知。

维护保养

- 为了防止灰尘堆积影响到产品的性能, 请定时用干净的湿布轻轻擦拭产品外部。
- 1年保修, 消耗品电源线等配件不在此保修范围内。
- 对于不规范操作引起的机器故障不在保修范围内。
- 所有维修概由本厂指定的可供原配件的维修部负责。
- 经发现, 擅自检修本品, 将取消一年保修期, 维修需要收取相关费用。
- 如果本品出现故障或者被水淋湿, 在专业人员维修后方可继续使用。
- 如有技术更改, 恕不另行通知。

本设备包含型号核准代码为: CMIIT ID:2020DP13510, 为该产品的无线电发射模块。

Safety Instructions and Attention

First of all, as the most basic principle: This product is a professional lighting set equipment and should be used by professional lighting engineers or under the guidance of professionals. Basic safety attentions must always be followed during use, as follows:

1. Before use, please read and understand these instructions and attentions.
2. Professional lighting is prohibited for children. When children are near, parents or accompanying persons must supervise closely to prevent children from personal injury due to collision with lamps or private use of lamps.
3. This lighting product is not ordinary lighting product and cannot be used for general lighting. Anyone who has suffered eye damage or has sensitive eyes should avoid using this product.
4. When the lamp is on, it must be used with care. Do not touch high-temperature parts, such as LED lamp beads, to avoid burns.
5. When the lamp is on, it is forbidden to look directly at the lamp beads under any circumstances. Strong light should be used under the guidance of professional lighting engineers. Avoid prolonged exposure to strong light under any circumstances. If eye discomfort, please turn off the lamp in time, suspend use, and see a doctor immediately.
6. If the lamp bead is damaged or deformed by heat, stop using this equipment, and contact the manufacturer, service agent or qualified maintenance personnel to replace the lamp bead in time to avoid accidents.
7. This product is only suitable for use in -10 C to 40 C operating environment and normal humidity environment.
8. Do not use damaged equipment or accessories, and wait for professional maintenance personnel to check and repair to confirm being normal before use.
9. During using, if the casing of this product is broken due to being dropped, squeezed or subjected to strong impact, please do not use it, so as to avoid electric shock injury due to contact with internal electronic components.
10. If an extension cord is required, please use an extension cord with a current rating greater than or equal to that of the equipment. If an extension cord is rated less than the equipment, overheating may result.
11. Some products have long power cords, please place the power cords properly and keep them in a safe place. Avoid contacting the power cord with overheating surfaces, avoid improper placement that could cause pulling damage, or trip on-site personnel. Please use the certified power cord from the original manufacturer. If the product is damaged by using a non-certified power cord, it will not be repaired by our factory.
12. Be sure to unplug equipment from the power outlet before cleaning and repairing. When not in use, do not pull the power cord to unplug the equipment. For normal power-off, please hold both ends of the plug of the equipment with your hands and pull the plug out of power outlet. This equipment needs to be connected to a grounded outlet.

13. This equipment is not waterproof, please keep it dry and do not immerse it in water or other liquids. The equipment should be installed in a dry and ventilated place, and avoid using it in rainy, humid, dusty or overheated environments. Do not place any objects on the lamp or let liquid flow into the lamp to avoid accidents.
14. Do not disassemble the product without permission. If the product fails, it must be checked and repaired by authorized maintenance personnel.
15. Before storing, make sure that the equipment has cooled down completely. For storage, unplug the power cord from the equipment. The equipment should be placed in the carrying case or in a ventilated dry place.
16. Do not place equipment near flammable and volatile solvents such as alcohol and gasoline.
17. Do not use accessories that are not recommended by our factory to avoid fire, electric shock or personal injury.
18. When cleaning, do not wipe it with a damp cloth, please use a dry cloth or a soft cloth to wipe the dirt of the equipment.
19. Please take off the protective cover before using.
20. This product complies with ROHS, CE, KC, PSE and FCC certification, please refer to the relevant national standards for use and operation.
21. The safety instructions are formulated according to the strict testing of the factory, and the design and specifications of the equipment are subject to change without prior notice. For latest product information, please check the GODOX website and view latest electronic instruction.
22. Some products have built-in lithium batteries. Please use specified chargers, and use them within a proper range of the specified voltage and temperature according to the correct operating instructions.
23. Some products are battery powered. Do not use any batteries, power sources or accessories not specified in the instructions for such products. Keep batteries and other accessories out of the reach of children and infants. In the instance that a child or infant swallows a battery or accessory, immediate emergency medical attention is required. If the battery leaks, becomes discolored, deformed, emits smoke, or emits an abnormal odor, remove it immediately. Be careful during removal to avoid burns. Continued use could result in fire, electric shock, or burns. Do not use any deformed or modified batteries. Do not disassemble or modify this product or battery. Do not heat or solder the battery. Keep the battery away from fire or water. Do not incorrectly insert the positive and negative ends of batteries, or mix old and new batteries or batteries of different types together.
24. One-year warranty period, accessories such as consumable batteries, adapters, power cords, etc. are not covered by this warranty.
25. If it is found that the equipment is repaired without authorization, the one-year warranty period will be cancelled and relevant fees will be charged for maintenance.
26. Machine failures caused by non-standard operation are not covered by the warranty.

keep these instructions!

Foreword

Thank you for purchasing!

Bi-Color LED Video Light SL300IIBi, upgrade version of SL300II, gets all the excellent quality and performance of SL300II, and adds flexibility of expansive color temperature range, bringing photographer a more creative shooting experience. Power output up to 300W, super high CRI. Built-in 9 FX lighting effects provide more creative possibilities. Separately sold remote control RC-A6 enables convenient control. This LED light can benefit interviews, broadcasting, cinematography, online streaming, studios, location shooting and other shooting occasions, with a wide range of applications.

Features:

- With color temperature adjustment from 2800K to 6500K.
- With 9 FX lighting effects mode to simulate various of shooting scenes.
- Silent mode: without noises and interference.
- Built-in Godox 2.4G wireless & wirelessly adjust parameters.
- With stable light source and 0% to 100% precise light adjustment.
- With 16 groups and 32 channels wireless control.
- With U-type bracket to adjust angles easily from 0°-180°.
- Bowens-mount enables to install various of accessories.
- Clear LCD Screen.
- Super high CRI.

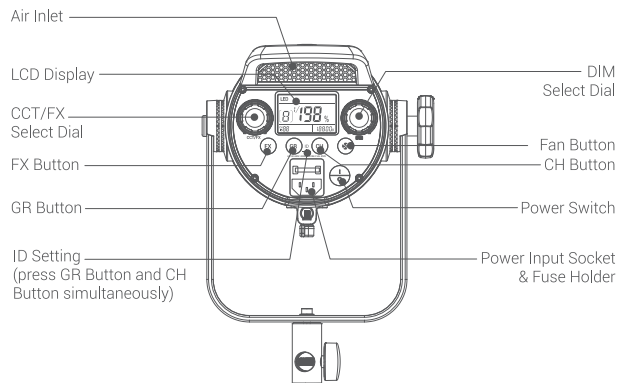
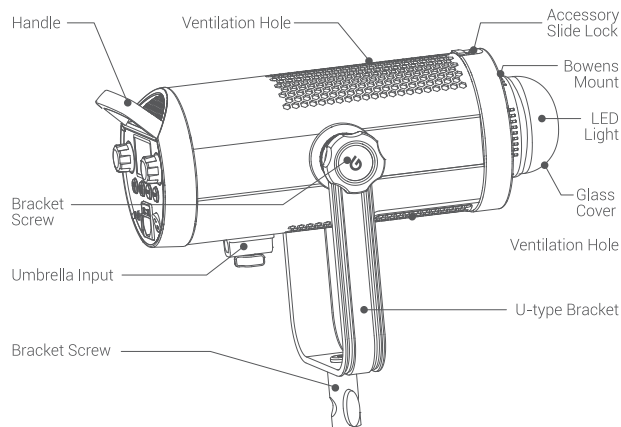
⚠ Warning

- ⚠ Always keep this product dry. Do not use in rain or in damp conditions.
- ⚠ Do not disassemble. Should repairs become necessary, this product must be sent to an authorized maintenance center.
- ⚠ Keep out of reach of children.
- ⚠ As this product do not have waterproof function, please take measures of waterproof in rainy or damp environment.
- ⚠ Do not use the product in the presence of flammable gases, chemicals and other similar materials.
- ⚠ CAUTION: Hot parts!When the product is always on and flickering,please do not touch the high temperature part of the LED head.
- ⚠ When replacing product accessories,please turn off the LED light and perform a cold cut.
- ⚠ The light source contained in this luminaire shall only be replaced by the manufacturer or his service agent or a similar qualified person.
- ⚠ The lamp shall be changed if it has become damaged or thermally deformed.
The luminaire is intended for professional use only.

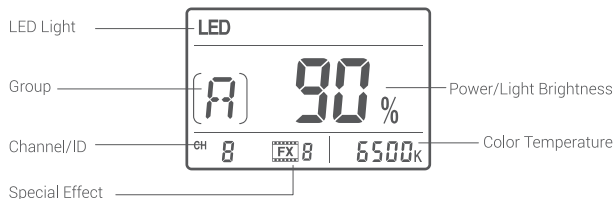
⚠ Do not look directly at the light source.

Name of Body

Light Body



LCD Panel



Included Items



Body *1
Glass Cover *1



Reflector *1



Light Head Protect
Cover *1



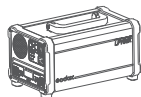
Power Cord *1



Instruction
Manual *1

Separately Sold Accessories

The product can be used in combination with the following accessories sold separately, so as to achieve best photography effects: RC-A6 Remote Control, Power Inverter, Softbox, Photographic Umbrella, Light Stand, etc.



AC Power Supply

Use the power cord to connect the LED light to an AC power source and turn on the power switch.

Operation

1. Mode Selection

1.1 LED silent mode: Short press <☘> fan button, make <☘> fan button not lighting up, and the Silent Mode is turn on, with brightness adjustable from 0% to 20%.

1.2 LED lighting effects modes: Short press the FX button to enter or exit the special effects mode. When entering the FX modes, FX icon will be displayed on the LCD panel. Then, turn the CCT/FX select dial to choose one mode from the 9 special effects modes to achieve creative shooting.

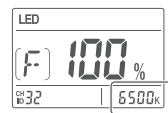
Display	FX1	FX2	FX3	FX4	FX5	FX6	FX7	FX8	FX9
Scene	Flash1	Flash2	Storm1	Storm2	TV	Broken bulb	Candle	Fire	Firework

1.3 LED strong power mode: Short press <☘> fan button, make <☘> fan button lighting up, the LED enter into strong power mode, then the power output up to maximum value.

2. Settings

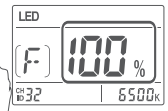
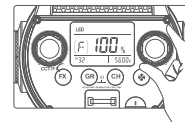
Color Temperature Adjustment

In continuous LED mode, turn the CCT/FX select dial to adjust color temperature from 2800K to 6500K. And the color temperature value will be precisely displayed.



Light Brightness Adjustment

In LED mode, the light brightness of LED light can be adjusted by turning the DMX select dial from 0% to 100%. And the light brightness will be clearly displayed on the LCD Panel.



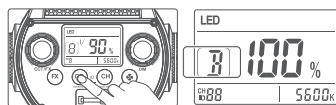
3. Wireless Control

Bi-color LED Video Light SL300II Bi equips with wireless receiving function. The remote control RC-A6 can be purchased separately, which can control 16 groups of lights, 32 channels, and 99 wireless IDs at the same time, with strong anti-interference.

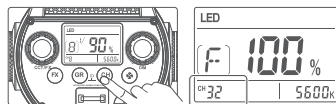
Note: Please adjust the channel (CH), group (GR) and ID of the LED light and RC-A6 remote control to the same value before using.

GR, CH and ID Setting

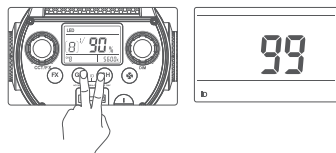
GR Setting: Short press GR button, then turn CCT/FX select dial to choose group from A, B, C, D, E, F and 0 to 9.



CH Setting: Short press CH button, then turn CCT/FX select dial to choose channel from 1 to 32.



ID Setting: Long press GR and CH button simultaneously to enter ID setting interface. Then, turn the DIM select dial to choose ID from OFF and 01 to 99.



Illuminance Data

SL300II Bi					
CCT	Testing Conditions	Illuminance Unit	1m	2m	3m
2800K	bare lamp	lux	5310	1400	645
		fc	493	130	60
	with reflector	lux	36100	7970	3420
		fc	3360	740	318
3200K	bare lamp	lux	6730	1750	812
		fc	625	162	75.5
	with reflector	lux	44900	10020	4310
		fc	4170	931	401
4300K	bare lamp	lux	8020	2050	963
		fc	745	191	89.5
	with reflector	lux	52300	11800	5080
		fc	4860	1100	472
5600K	bare lamp	lux	7730	1970	924
		fc	718	183	85.9
	with reflector	lux	49900	11300	4850
		fc	4630	1050	451

6500K	bare lamp	lux	6750	1690	794
		fc	627	157	74
	with reflector	lux	43300	9740	4170
		fc	3970	905	387

Note: The above testings are all based on the condition of 100% brightness.

Technical Data

Model	SL300IIBi
Power Supply	AC100V-240V(50/60Hz) 3.2A(Max.)
Power	320W (Max.)
Color Temperature Range	2800~6500K
CRI ≈	96
TLCI ≈	97
Light Brightness Range in LED Mode	0%-100%
Light Brightness Range in Silent Mode	0%-20%
Operation Temperature	-10 ~ 40 C
Channel	32
Group	16(A, B, C, D, E, F, 0-9)
Dimension (not included a standard reflector)	407*316*199mm
Net Weight(not include reflector and protect cover)	3.78Kg
2.4G Wireless Frequency Range	2413.0MHz-2464.5MHz

* Product design and specifications are subject to change without notice.

Declaration of Conformity:

GODOX Photo Equipment Co.,Ltd. hereby declares that the This equipment are in compliance with the essential requirements and other relevant provisions of EU Directive 2014/53/EU. They are allowed to be used in all EU member states. For more information of DoC, Please click this web link: http://www.godox.com/DOC/Godox_SL300IIBI_DOC.pdf.

Maintenance

This product, except consumables e.g. cable, is supported with a one-year warranty. Avoid sudden impacts and the product should be dedusted regularly. Maintenance of the flash must be performed by our authorized maintenance department which can provide original accessories.

Unauthorized service will void the warranty.

If the product had failures or was wetted, do not use it until it is repaired by professionals.

Changes made to the specifications or designs may not be reflected in this manual.

FCC Statement

This device complies with part 15 of the FCC Rules. Operation is subject to the following two conditions: (1) This device may not cause harmful interference, and (2) this device must accept any interference received, including interference that may cause undesired operation.

Any Changes or modifications not expressly approved by the party responsible for compliance could void the user's authority to operate the equipment.

Note: This equipment has been tested and found to comply with the limits for a Class B digital device, pursuant to part 15 of the FCC Rules. These limits are designed to provide reasonable protection against harmful interference in a residential installation. This equipment generates uses and can radiate radio frequency energy and, if not installed and used in accordance with the instructions, may cause harmful interference to radio communications. However, there is no guarantee that interference will not occur in a particular installation. If this equipment does cause harmful interference to radio or television reception, which can be determined by turning the equipment off and on, the user is encouraged to try to correct the interference by one or more of the following measures:

- Reorient or relocate the receiving antenna.
- Increase the separation between the equipment and receiver.
- Connect the equipment into an outlet on a circuit different from that to which the receiver is connected.
- Consult the dealer or an experienced radio/TV technician for help.

产品保修

尊敬的用户, 本保修卡是申请保修服务的重要凭证, 请您配合销售商填写并妥善保管, 谢谢!

产品信息	型号	产品条码
用户信息	姓名	联系电话
	通信地址	
销售商信息	名称	
	联系电话	
	通信地址	
	销售日期	
备注		

注: 此表应由销售商盖章确认。

适用产品

本文件适用于相关《产品保修信息》(见后面说明)所列产品, 其他非属此范围的产品或部件(如促销品、赠品及其他出厂后附加的部件等)不在此保修承诺内。

保修期

产品及部件的相应保修期按相关的《产品保修信息》执行。保修期自产品首次购买日起算, 购买日以购买产品时保修卡登记日期为准。

如何获得保修服务

您可直接与销售商或授权服务机构联系，也可拨打神牛产品售后服务电话，与我们联系，由我们的服务人员为您安排服务。申请保修时，您应提供有效的保修卡作为保修凭证，方可获得保修。如您不能提供有效的保修卡，则在我们确认产品或部件属于保修范围的情况下，也可以为您提供保修，但这不作为我们的义务。

不适用保修的情况

如产品存在下列情况，本文件项下的保证和服务将不适用 ①产品或部件超过相应保修期；②错误或不当使用、维护或保管导致的故障或损坏，如：不当搬运；非按产品合理预期用途使用；不当插拔外接设备；跌落或外力挤压；接触或暴露于不当温度、溶剂、酸碱、水浸或潮湿环境；③由非神牛授权机构或人员安装、修理、更改、添加或拆卸造成的故障或损坏；④产品或部件原有识别信息被修改变更或删除；⑤无有效保修卡；⑥使用非合法授权、非标准或非公开发行的软件造成的故障或损坏；⑦因不可抗力或意外事件造成的故障或损坏；⑧其他非因产品本身质量问题导致的故障或损坏。遇上述情况，您应向相关责任方寻求解决，神牛对此不承担任何责任。因非在保修期或保修范围内的部件、附件或软件导致产品不能正常使用的，不是保修范围内的故障。产品使用过程中正常的脱色，磨损和消耗，不是保修范围内的故障。

产品保修和服务支持信息

产品的保修期和服务类型按以下《产品保修信息》执行：

产品类别	选项名称	保修期 (月)	保修服务类型
部件	电路板	12	客户送修
	电池	3	客户送修
	充电器、电源线，同步线等带电性能的部件。	12	客户送修
其他	如闪光灯管、造型灯泡、外壳、保护罩、锁紧装置、包装等。	无	无保修

神牛产品售后服务电话：0755-29609320-8062

Warranty

Dear customers, as this warranty card is an important certificate to apply for our maintenance service, please fill in the following form in coordination with the seller and safe-keep it. Thank you!

Product Information	Model	Product Code Number
Customer Information	Name	Contact Number
	Address	
Seller Information	Name	
	Contact Number	
	Address	
	Date of Sale	
Note:		

Note: This form shall be sealed by the seller.

Applicable Products

The document applies to the products listed on the Product Maintenance Information (see below for further information). Other products or accessories (e.g. promotional items, giveaways and additional accessories attached, etc.) are not included in this warranty scope.

Warranty Period

The warranty period of products and accessories is implemented according to the relevant Product Maintenance Information. The warranty period is calculated from the day(purchase date) when the product is bought for the first time, And the purchase date is considered as the date registered on the warranty card when buying the product.

How to Get the Maintenance Service

If maintenance service is needed, you can directly contact the product distributor or authorized service institutions. You can also contact the Godox after-sale service call and we will offer you service. When applying for maintenance service, you should provide valid warranty card. If you cannot provide valid warranty card, we may offer you maintenance service once confirmed that the product or accessory is involved in the maintenance scope, but that shall not be considered as our obligation.

Inapplicable Cases

The guarantee and service offered by this document are not applicable in the following cases: ①. The product or accessory has expired its warranty period; ②. Breakage or damage caused by inappropriate usage, maintenance or preservation, such as improper packing, improper usage, improper plugging in/out external equipment, falling off or squeezing by external force, contacting or exposing to the improper temperature, solvent, acid, base, flooding and damp environments, etc; ③. Breakage or damage caused by non-authorized institution or staff in the process of installation, maintenance, alternation, addition and detachment; ④. The original identifying information of product or accessory is modified, alternated, or removed; ⑤. No valid warranty card; ⑥. Breakage or damage caused by using illegally authorized, nonstandard or non-public released software; ⑦. Breakage or damage caused by force majeure or accident; ⑧. Breakage or damage that could not be attributed to the product itself. Once met these situations above, you should seek solutions from the related responsible parties and Godox assumes no responsibility. The damage caused by parts, accessories and software that beyond the warranty period or scope is not included in our maintenance scope. The normal discoloration, abrasion and consumption are not the breakage within the maintenance scope.

Maintenance and Service Support Information

The warranty period and service types of products are implemented according to the following Product Maintenance Information:

Product Type	Name	Maintenance Period(month)	Warranty Service Type
Parts	Circuit Board	12	Customer sends the product to designated site
	Battery	3	Customer sends the product to designated site
	Electrical parts e.g.battery charger, power cord, sync cable, etc.	12	Customer sends the product to designated site
Other Items	Flash tube, modeling lamp, lamp body, lamp cover, locking device, package, etc.	NO	Without warranty

Godox After-sale Service Call 0755-29609320-8062