



# Replacement Battery Pack

GXVB150

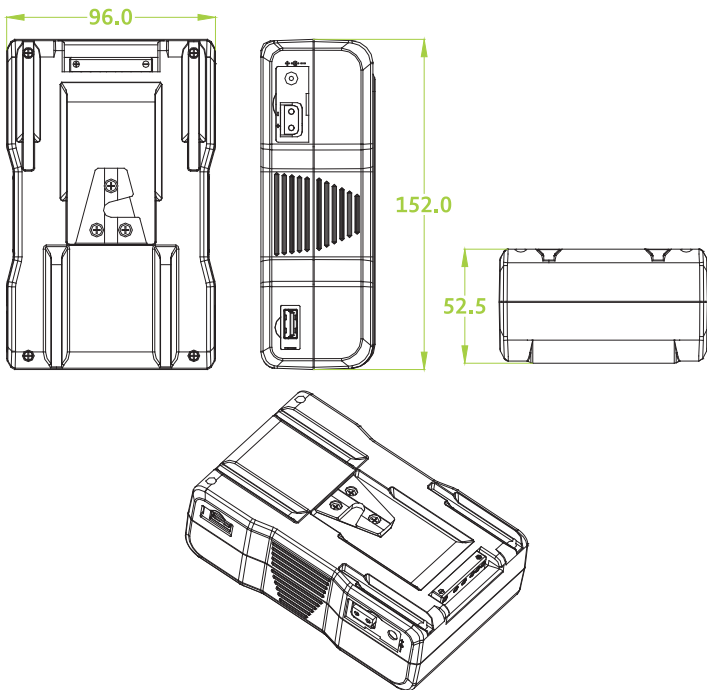
for 150Wh Lithium-ion V-Mount  
Manual

The GREEN EXTREME 150Wh Lithium-ion V-Mount Battery is the go-to battery for power-hungry videographers with V-Mount cameras and lights, external devices that demand the paramount in energy on location and in the studio. Our long run time cells are internally protected against overcharge, discharge and overheating for proper operation and assured safety.

The cells can be Quick Charged in just 6 hours. Standard charging time is 12 hours. The charge rate and current flow are automatically regulated according to the battery status.

Enjoy the finest in power options for your V-Mount battery applications.

## Illustrations



## Specifications

Item	Specification
Charging voltage	16.8V
Nominal voltage	14.8V
Capacity	≥10,400mAh
Dimension(H×W×L)	6.0×3.8×2.0 in /152.0×96.0×52.5
Charging current	Standard charge : 0.1C (1040mA) Quick charge : 0.2C (2080mA)
Charging method	0.2C (constant current charge to 16.8V, then charge with constant voltage 16.8V to charge current ≤0.01C
Charging time	Standard charging: 12 hours Quick charging: 6 hour
Max charge current	0.5C
Max discharge current	10.4A
Current discharge protection Cut-Off	10.0A~20.0A
Discharge voltage Cut-off	12.0V
Ambient temperature	Standard charging: 32°~113°F / 0°C~45°C For discharging: -4°~140°F / 20°C~60°C
Storage temperature	-4~113°F / -20°C~+45°C
Weight	32oz / 881g
Case material	High-density ABS

## Safety Instructions and Warnings

Always keep this battery dry. Do not expose to moisture, damp conditions, or submersion in a liquid. The battery should be placed in a cool dry environment when not being used.

- This product contains high-voltage electronic parts. Touching the high-voltage circuit inside it may result in electric shock. Do not disassemble. Should repairs become necessary, this product must be sent to an authorized maintenance center.
- Do not place near any heat source such as fire, space heaters, steam, or electric radiation.
- Only use the proper charger for this V-Mount rechargeable lithium-ion battery
- Do not use the battery in the presence of flammable gases, chemicals, and ignitable materials.
- Never connect the positive and negative contact points with any metal objects and cause a short-circuit.
- Stop using this product if it breaks open due to impact or force. Electric shock may occur if you touch the internal parts. Safeguard the battery from abrasion, sudden impact, flung about, or crushed underfoot.
- Avoid puncture with a nail or other sharp object
- Do not leave or store the battery in an ambient temperature beyond 120°F/50°C (e.g., in a sunbathed automobile). Electronic parts may be permanently damaged. Exposure to heat could lead to overheating, fire, functional failure, or life expectancy reduction.
- Keep away from strong electrostatic and magnetic fields. The internal safety protection devices may be compromised and fail.
- Should a strong odor, excessive heat, discoloration, deformation or any irregular conditions arise in use, storage or charging, remove the battery immediately from the device or charger.
- Dead batteries must be disposed according to local regulations.
- Never leave a depleted battery in storage. For best performance and product longevity, recharge batteries every three months.

## One Year Green Extreme Limited Warranty

Green Extreme warrants to the original purchaser that your Green Extreme product shall be free from defects in material and workmanship for the period of one (1) year from the date of purchase (or delivery as may be required in certain jurisdictions), or thirty (30) days after replacement, whichever comes later.

Green Extreme entire liability and your exclusive remedy for any breach of warranty shall be, at Green Extreme option, to repair or replace the hardware, provided that the hardware is returned to the point of purchase or such other place as Green Extreme may direct with a copy of the sales receipt or dated itemized receipt. Green Extreme may, at its option, replace your product, offer to provide a functionally equivalent product, or repair any product with new, refurbished or used parts as long as such parts are in compliance with the product's technical specifications. Any replacement hardware product will be warranted for the remainder of the original warranty period or thirty (30) days, whichever is longer, or for any additional period of time that may be applicable in your jurisdiction. If the product has been discontinued, the warranty provider reserves the right to replace it with a model of equivalent quality and function.

This warranty does not cover problems or damage resulting from accident, abuse, misapplication, or any unauthorized repair, modification or disassembly, improper operation or maintenance, normal wear and tear, or usage not in accordance with product instructions or connection to improper voltage supply, use of consumables, such as replacement batteries, not supplied by Green Extreme, except where such restriction is prohibited by applicable law.

Except where prohibited by applicable law, this warranty is nontransferable and is limited to the original purchaser and the country in which the product was purchased. This warranty gives you specific legal rights, and you may also have other rights, including a longer warranty duration that may vary under local laws.

To start a warranty claim contact the Green Extreme Customer Service Department to obtain a return merchandise authorization ("RMA") number, and return the defective product to Green Extreme, along with the RMA number and proof of purchase.

### Question about our product line? Need Product Support?

We are proud of our products and celebrate our customers. We are with you, from product selection to everyday use. Be secure with your purchase and reach us as you need.

Email us: [brands@adorama.com](mailto:brands@adorama.com) Call: 212-647-9300

Address: Adorama Brands, 42 West 18th Street, New York, NY 10011

You can always contact us at [BRANDS@ADORAMA.COM](mailto:BRANDS@ADORAMA.COM) for personal technical support. Our web site contains a wide range of Support and FAQ pages with valuable technical assistance.

Green Extreme is a registered trademark of ADORAMA CAMERA.

© 2019 Adorama Camera, Corp. All Rights Reserved.

