

FOR DJI RONIN 4D FLEX TILTA Camera Cage for DJI Ronin 4D Flex

01 [DISCLAIMER]

Thank you for purchasing TILTA products.

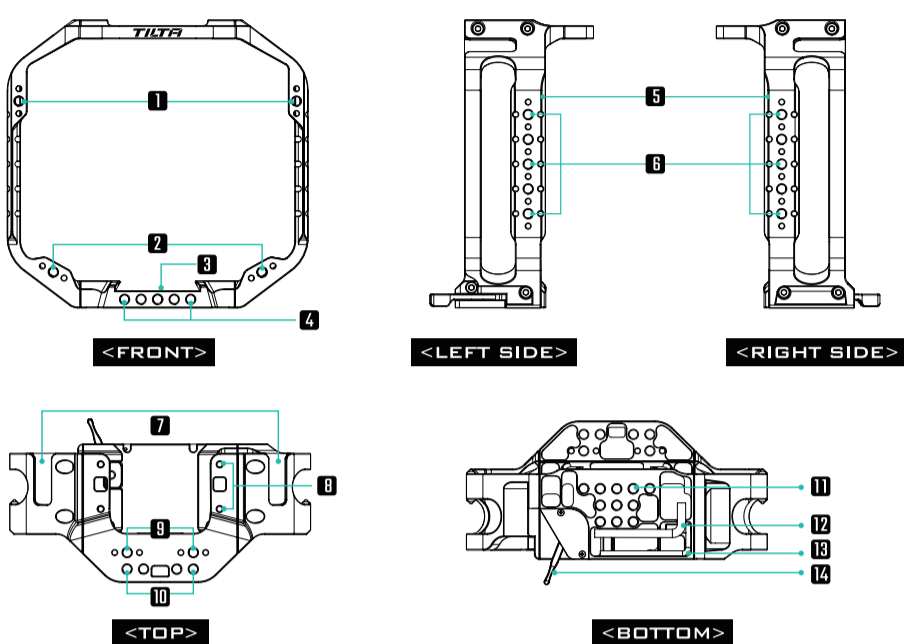
Before using this product, please carefully read this document to ensure that the product has been set up correctly. The final interpretation of this document and all related documents for this product belongs to TILTA. For updates, please visit the official website at www.tilta.com for the latest product information. TILTA reserves the right to modify any information in this manual at any time without prior notice and without assuming any responsibility.

By using this product, you are deemed to have carefully read the disclaimer and warnings, understood, agreed, and accepted all the terms and content of this statement. You promise to take full responsibility for the use of this product and any consequences that may arise. You commit to using this product only for legitimate purposes and agree to this term as well as any related regulations, policies, and guidelines set by TILTA.

TILTA is not responsible for any damages, injuries, or legal liabilities caused directly or indirectly by the use of this product. Users should follow all safety guidelines mentioned in this document, including but not limited to those mentioned. Despite the above provisions, consumer rights are still protected by local laws and regulations and are not affected by this disclaimer.

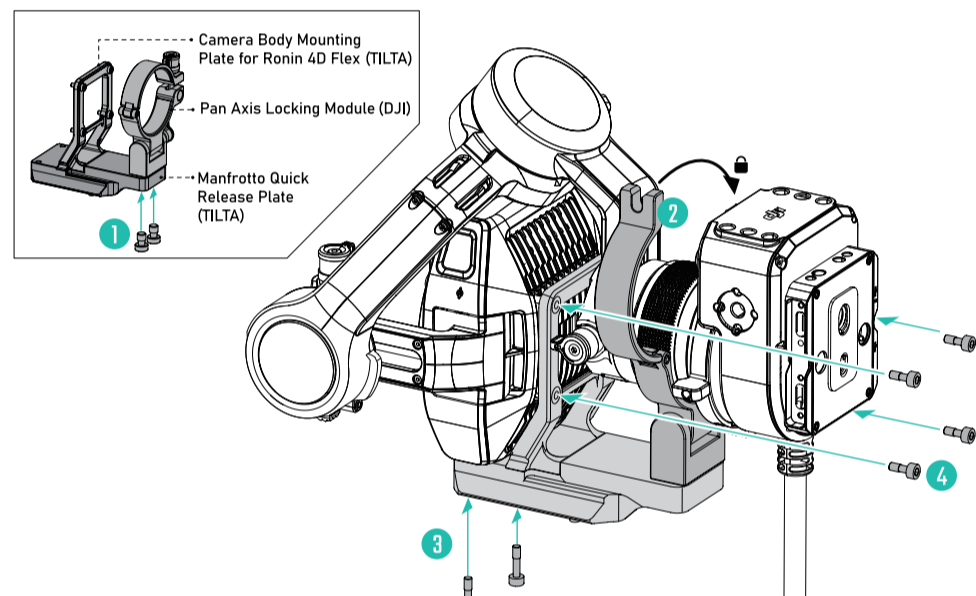
TILTA is a trademark of Shenzhen TILTA Technology Co., Ltd. and its affiliated companies. Product names, brands, and other trademarks appearing in this document are trademarks or registered trademarks of their respective companies.

02 [FULL CAGE OVERVIEW]



- | | | |
|--|--|---------------------------|
| 1 1/4"-20 Thread with Locating Points | 6 1/4"-20 Thread with Locating Points | 11 1/4"-20 Thread |
| 2 1/4"-20 Thread with Locating Points | 7 Cold Shoe Receiver | 12 1/4 Allen Key |
| 3 Manfrotto Quick Release Receiver | 8 M4 Thread | 13 2.5mm Allen Key |
| 4 1/4"-20 Thread | 9 1/4"-20 Thread with Locating Points | 14 Locking Lever |
| 5 NATO Rail | 10 1/4"-20 Thread | |

03 [INSTALLING THE FULL CAMERA CAGE FOR DJI RONIN 4D FLEX]



1 Install the Pan Axis Locking Module

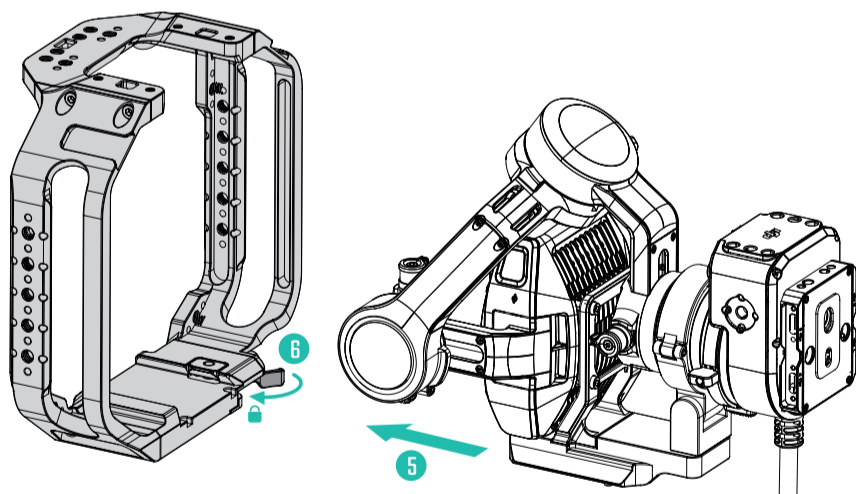
Attach the pan axis locking module to the Manfrotto Quick Release Plate and the Camera Body Mounting Plate for Ronin 4D Flex. Tighten the bottom screws ① to secure.

2 Mount the Ronin 4D Flex Camera Body

Place the Ronin 4D Flex Camera Body onto the Manfrotto Quick Release Plate and Camera Body Mounting plate. Secure the pan axis locking module ②, the quick release plate's bottom screws ③, and the mounting plate's rear screws ④.

3 Attach the Full Cage

After completing the previous steps, slide the DJI Ronin 4D Camera Body into the Full Cage ⑤ and tighten the locking lever ⑥ to finish assembly.



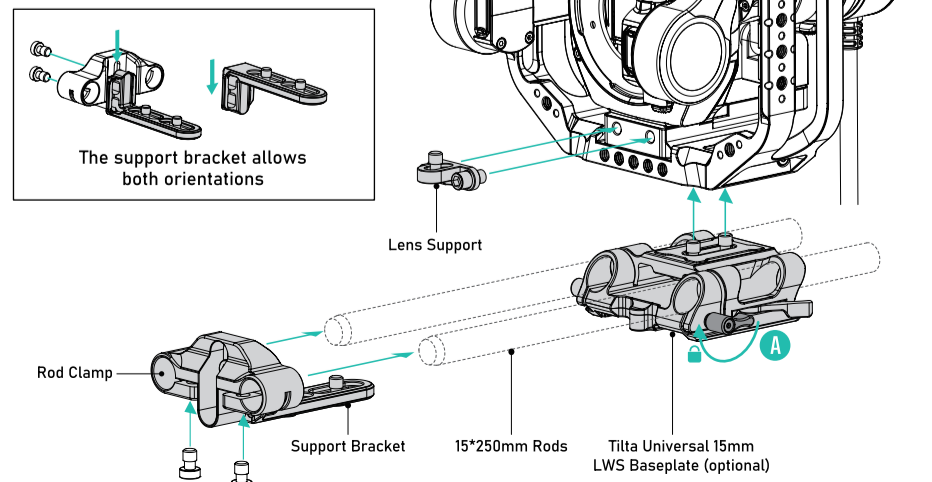
04 [EXTENDED CONFIGURATION]

1 Install the Top Handle for DJI Ronin 4D (optional), Tilta Universal 15mm LWS Baseplate (optional), and Lens Support, then tighten the screws to complete the assembly.

2 Attach the 15mm Rods onto the Tilta Universal 15mm LWS Baseplate, tighten the knob **A**, and complete the assembly.

3 Securing a Telephoto Lens

Attach the rod clamp and support bracket onto the 15mm LWS Rods. Connect the support bracket to the 1/4"-20 mounting points of the telephoto lens for added stability.



01 [免责声明]

感谢您购买TILTA产品。

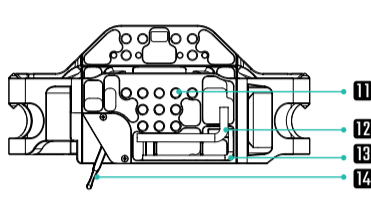
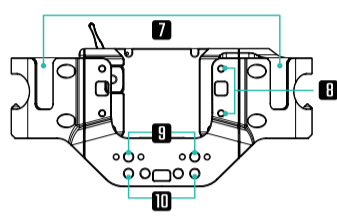
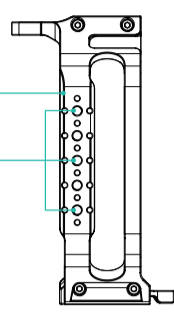
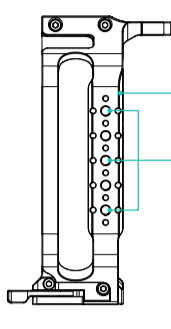
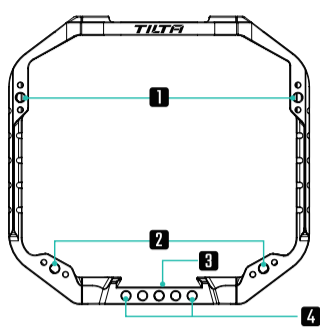
使用本产品之前,请仔细阅读本文以确保已对产品进行正确的设置。本文档及本产品所有相关的文档最终解释权TILTA所有。如有更新,请访问www.tilta.com官方网站获取最新的产品信息。TILTA保留随时修改本手册中任何信息的权利,无需提前通知且不承担任何责任。

一旦使用本产品,即视为您已经仔细阅读免责声明与警告,理解、认可和接受本声明全部条款和内容。您承诺对使用本产品以及可能带来的后果负全部责任。您承诺仅出于正当目的使用本产品,并且同意本条款以及TILTA制定的任何相关条例、政策和指引。TILTA对于直接或间接使用本产品而造成的损坏、伤害以及任何法律责任不予负责。用户应遵循包括但不限于本文提及的所有安全指引。

即使存在上述规定,消费者权益依然受当地法律法规所保障,并不受本免责声明影响。

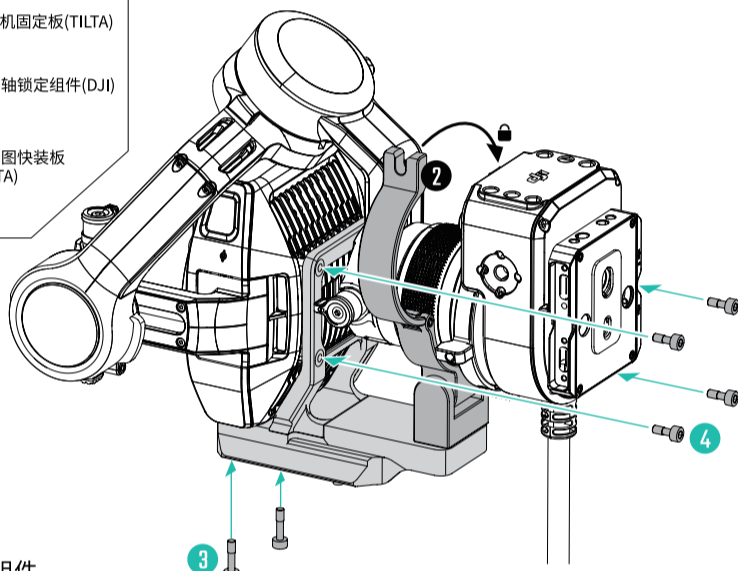
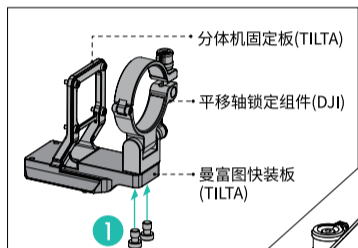
TILTA是深圳市铁头科技有限公司及其关联公司的商标。本文出现的产品名称、品牌等均为其所属公司的商标或注册商标。

02 [认识全笼]



- | | | |
|------------|------------|---------------|
| 1 1/4定位螺纹孔 | 6 1/4定位螺纹孔 | 11 1/4螺纹孔 |
| 2 1/4定位螺纹孔 | 7 冷靴接口 | 12 1/4 L型扳手 |
| 3 曼富图快装接口 | 8 M4螺纹孔 | 13 2.5mm L型扳手 |
| 4 1/4螺纹孔 | 9 1/4定位螺纹孔 | 14 锁紧扳扣 |
| 5 NATO滑条 | 10 1/4螺纹孔 | |

03 [安装铁头 如影4D分体机全笼]



1 装配平移轴锁定组件

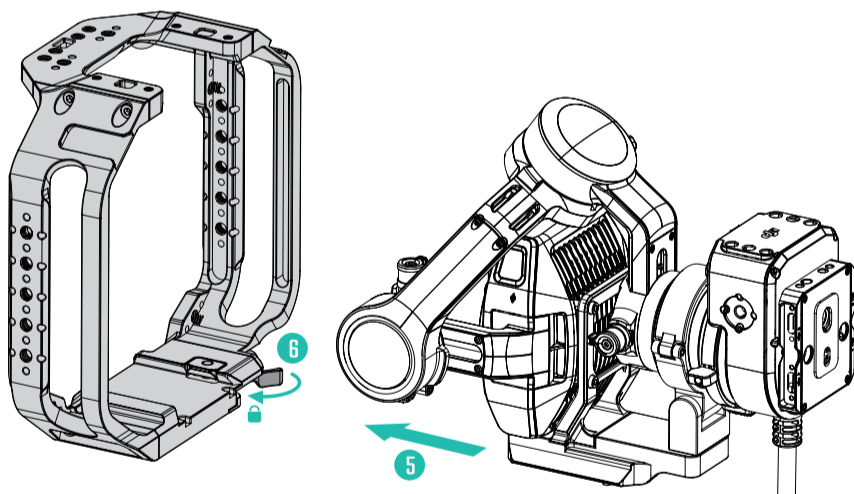
将如影4D分体机配备的平移轴锁定组件安装在曼富图快装板+分体机固定板组件上,锁紧底部螺丝①完成。

2 装配如影4D分体机

将如影4D分体机安装在曼富图快装板+分体机固定板组件上,锁紧平移轴锁定组件②、快装板底部螺丝③和分体机固定板背面螺丝④完成。

3 装配全笼

完成上述装配后,将如影4D分体机滑入⑤全笼中,锁紧扳扣⑥完成装配。

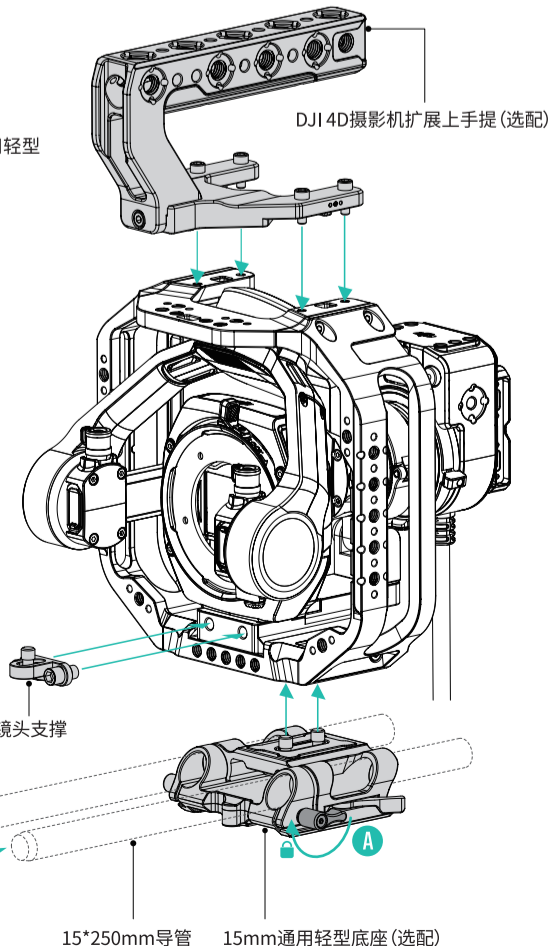
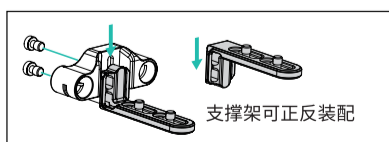


04 [拓展装配]

1 安装DJI 4D摄影机扩展上手提(选配)、15mm通用轻型底座(选配)和镜头支撑,锁紧螺丝完成装配。

2 安装15mm导管在15mm通用轻型底座上,锁紧旋钮A完成。

3 固定长焦镜头
安装管夹和支撑架在15mm导管上,通过支撑架锁紧长焦镜头自带的脚架环,稳固长焦镜头。



- 管夹 支撑架 15*250mm导管 15mm通用轻型底座(选配)