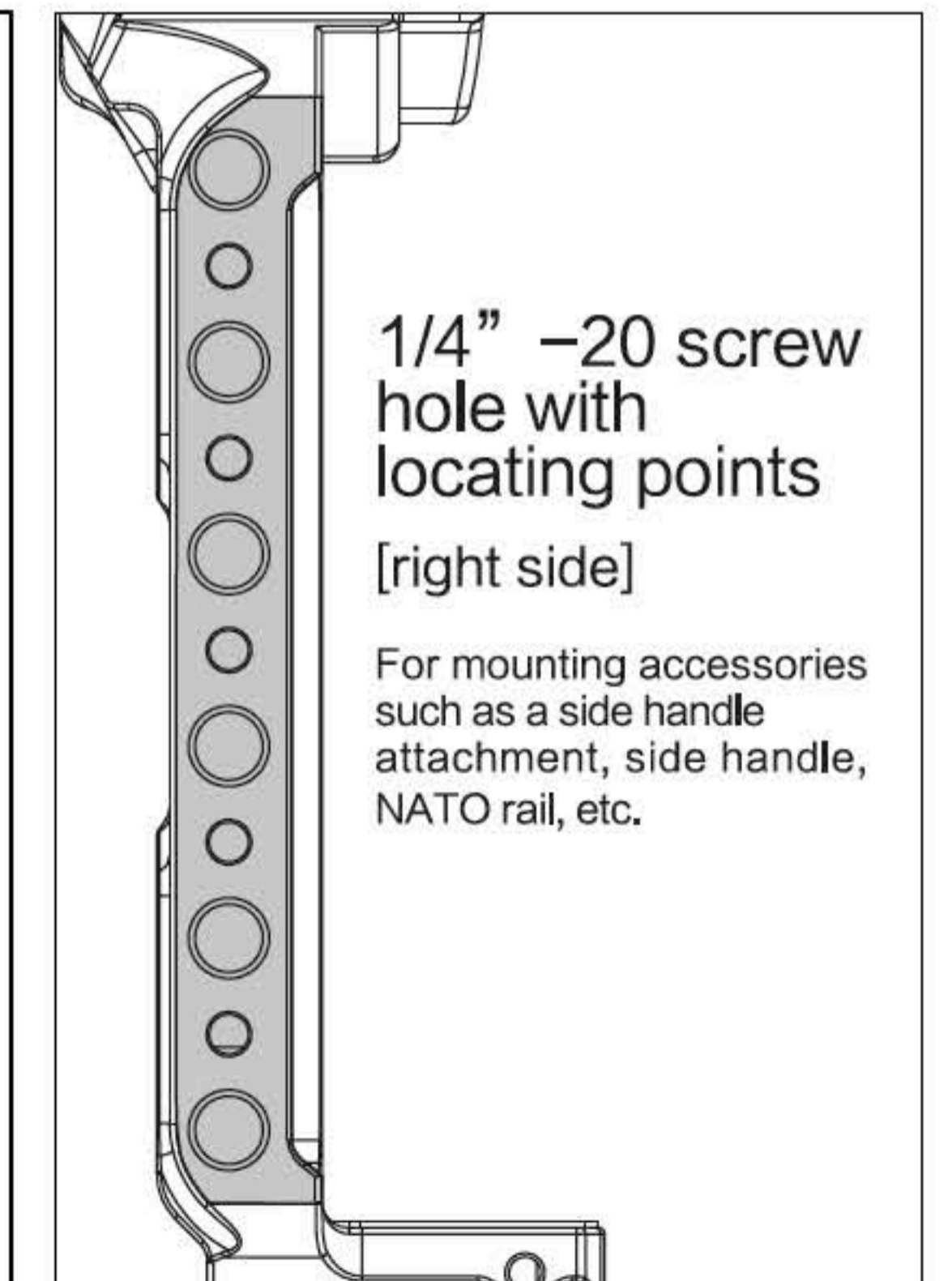
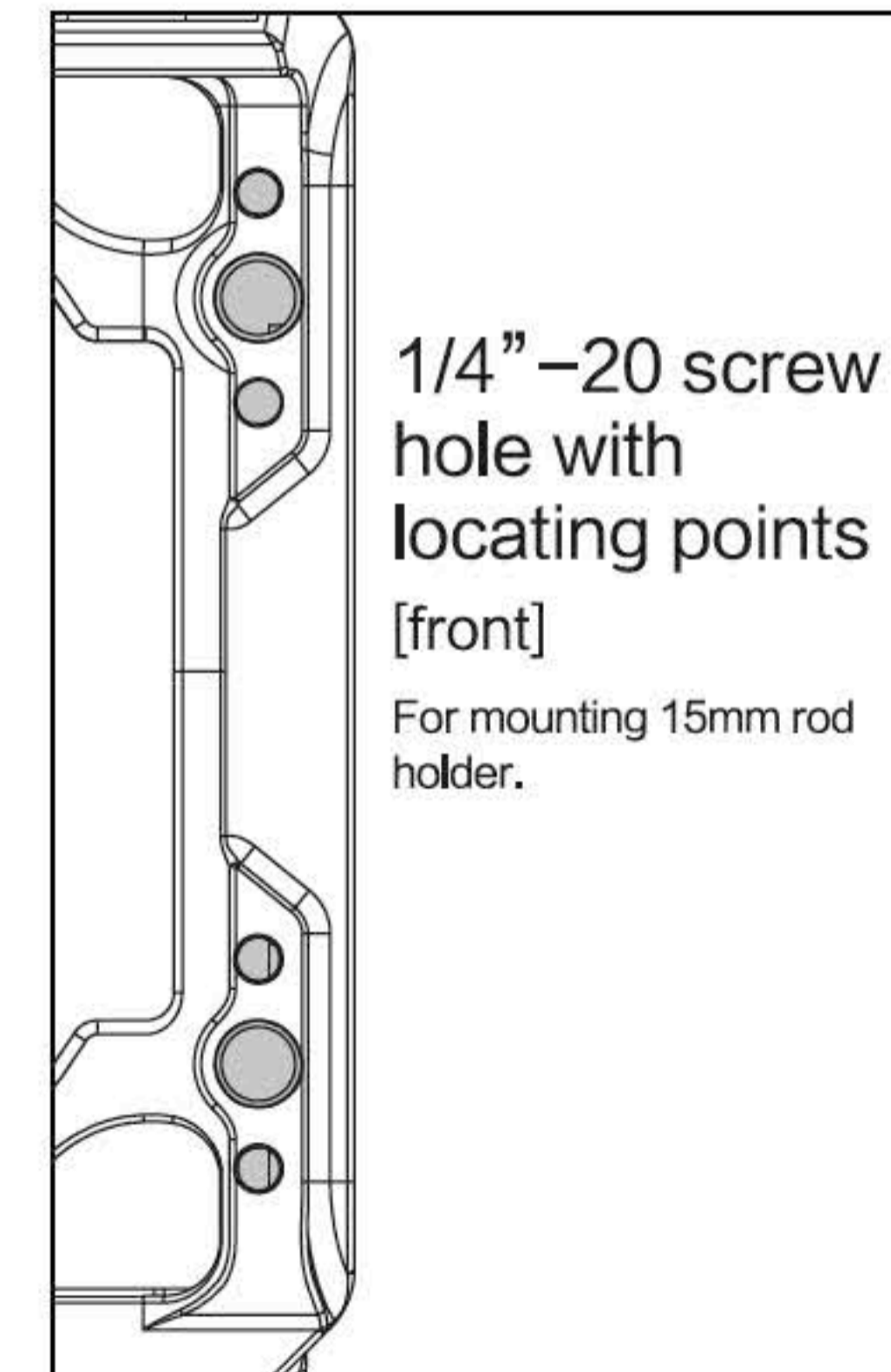
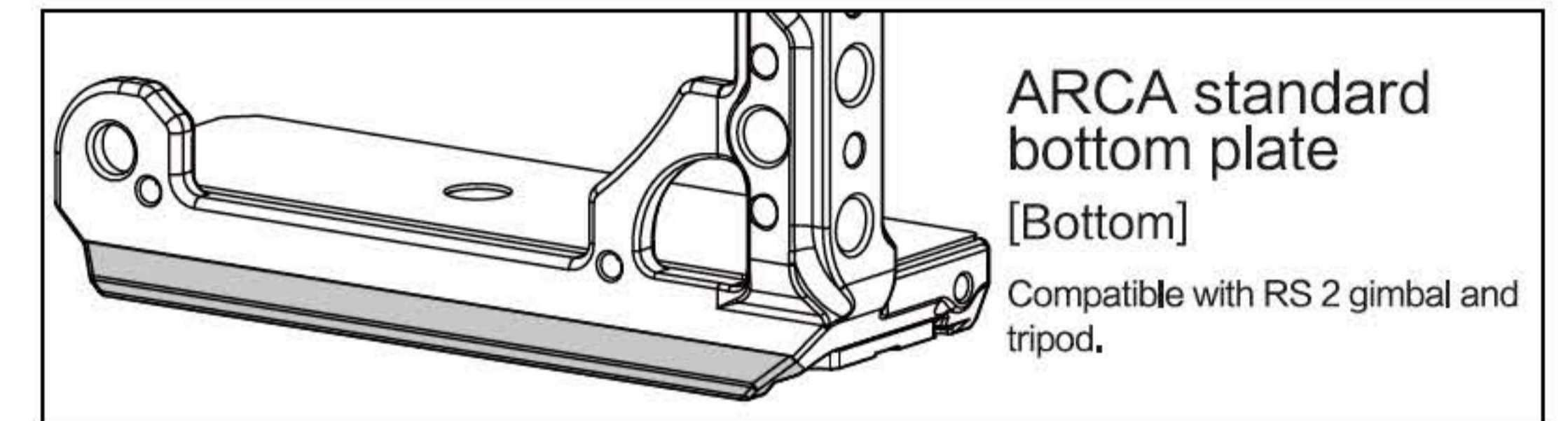
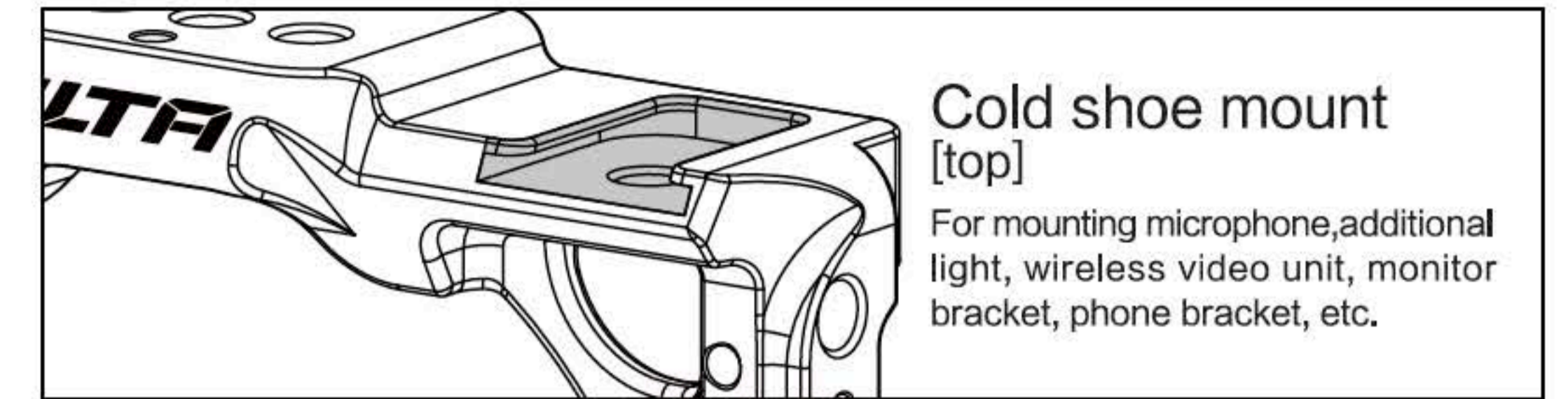


- 1** 1/4" -20 screw holes with locating points [for mounting 15mm rod holder.]
- 2** M3 screw hole [for mounting lens adapter support.]
- 3** 1/4" -20 screw hole [for mounting NATO rail.]
- 4** 1/4" -20 screw holes with locating points [for mounting Tilting quick release top handle.]
- 5** Cold shoe mount [for mounting monitor bracket, on-board microphone, wireless video unit, additional light, etc.]
- 6** 1/4" -20 screw hole [for mounting quick release plate.]
- 7** Camera cage screw hole (bottom)
- 8** Magnetic flat head screwdriver [can be stored on the bottom of the camera cage. Coin can be used as a replacement.]
- 9** Locating pin hole
- 10** Protective cushion
- 11** ARCA standard plate [compatible with RS 2 gimbal.]
- 12** 1/4" -20 screw holes with locating points [for mounting a side handle, NATO rail, etc.]
- 13** M3 screw hole [for mounting cable clamp attachment, etc.]

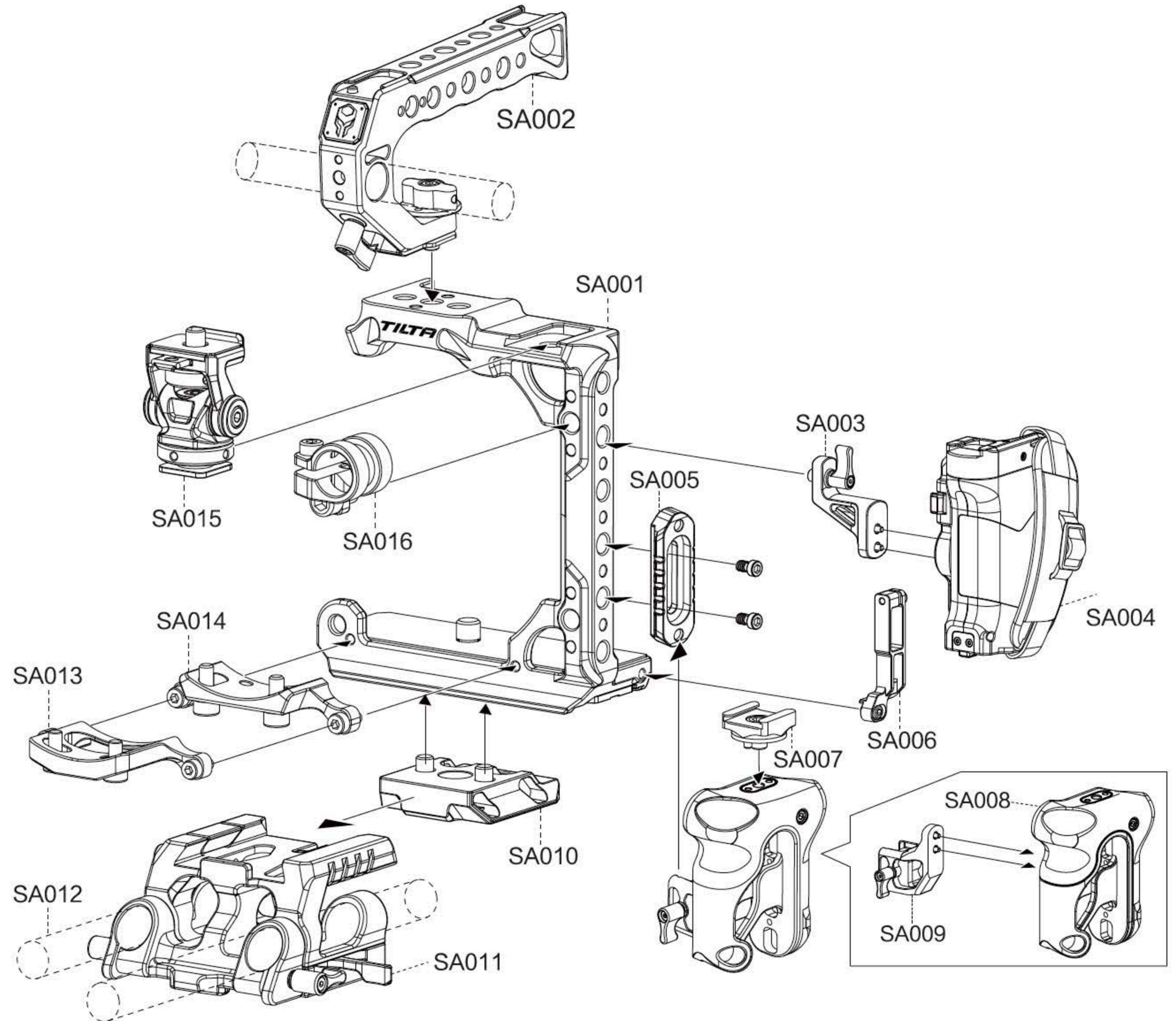
### DETAILS >>



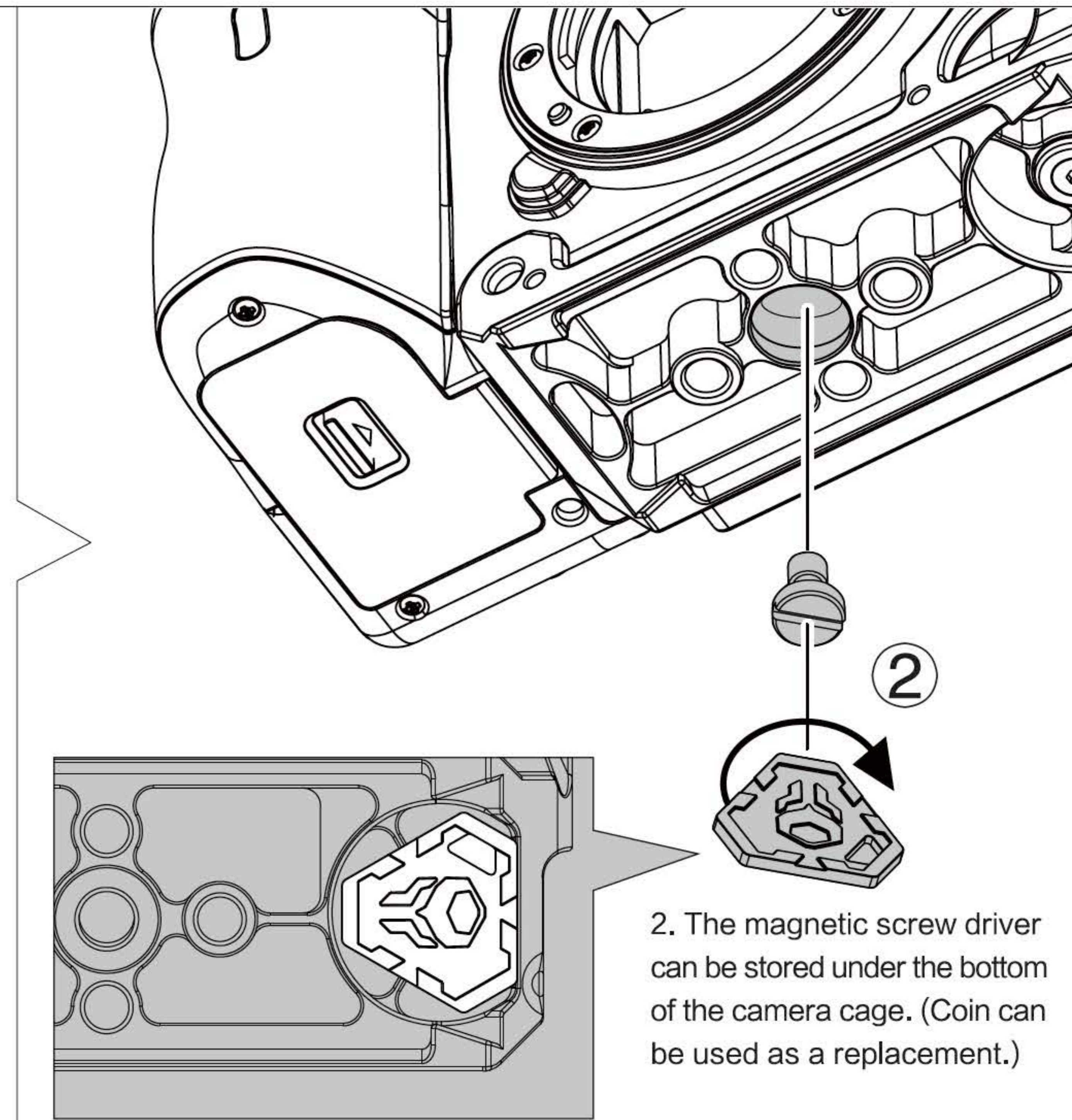
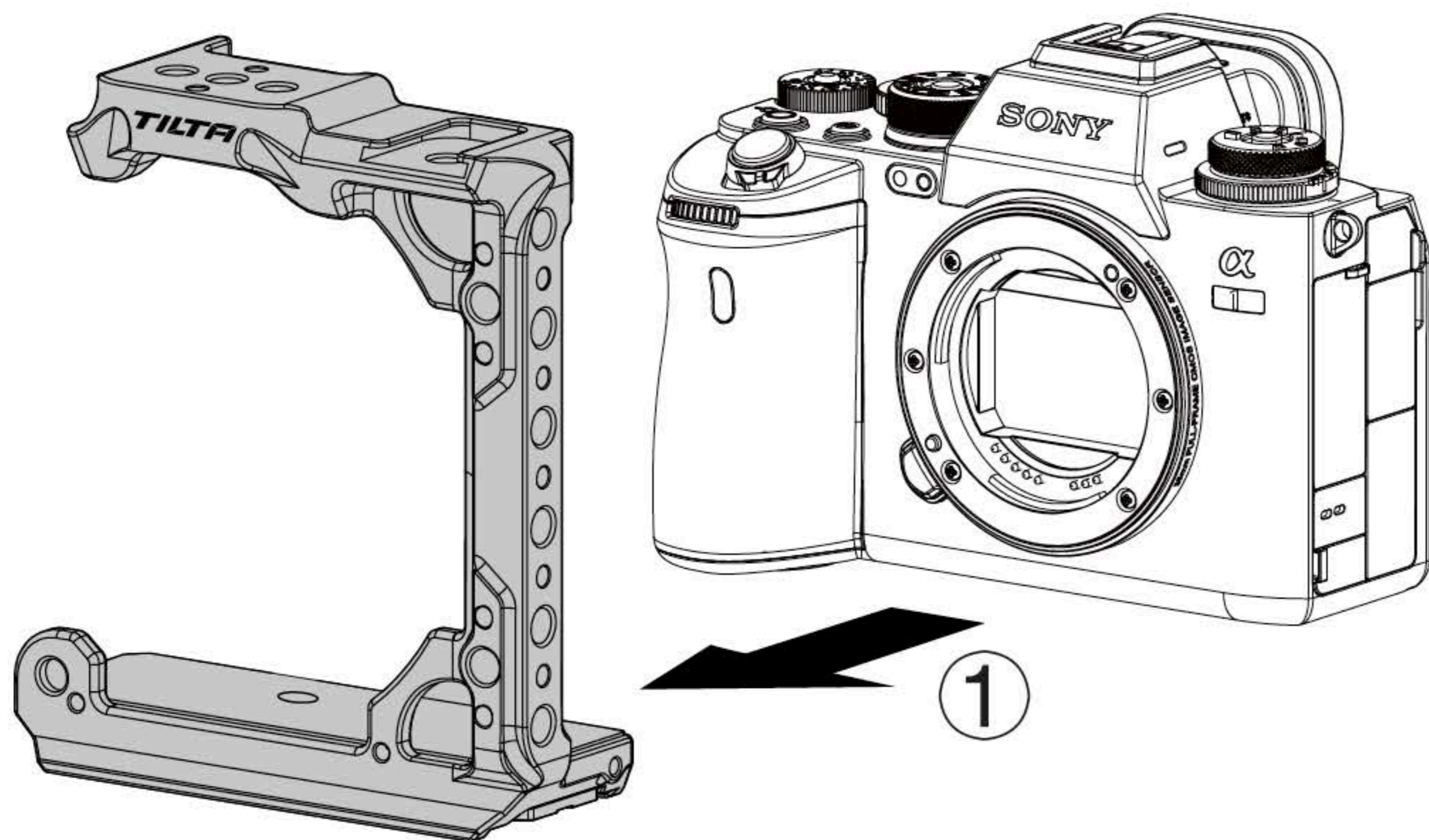
# 12 FOR SONY A1

## OVERVIEW

NO.	PRODUCT NAME	SKU
SA001	Half Camera Cage for Sony A1	TA-T23-HCC
SA002	Tilting Quick Release Handle	TA-QRTH-B
SA003	Tilting Advanced Side Handle Attachment Type VII	TA-AHA7-LR-B
SA004	Tilting Left Side Advanced Power Handle with Run/Stop (F570 Battery)	TA-LRH-57-B
SA005	Tilting 36mm NATO Rail Attachment	TA-NRA-36-B
SA006	HDMI Clamp Attachment for Sony A1 Half Cage	TA-T23-CC2
SA007	Tilting Cold Shoe Receiver Attachment	TA-CSR
SA008	Tilting Left Side Wooden Handle	TA-LWH-B
SA009	Tilting Advanced Left Side Handle Attachment Type VI	TA-AHA6-L(R)-B
SA010	Manfrotto Quick Release Plate	TA-T23-018
SA011	Tilting 15mm LWS Baseplate Type VI	TA-BSP4-15-B
SA012	Aluminum Rod 15*200mm	R15-200-B
SA013	EF Mount Lens Adapter Support for Sony a1	TA-T22-LAS
SA014	PL Mount Lens Adapter Support for Sony a1	TA-T22-LAS2
SA015	Tilting Adjustable Cold Shoe Accessory Mounting Bracket	TA-AMB-B
SA016	Tilting 15mm Side Single Rod Holder	TA-SRA-15-B



1. Place the camera into the ① half camera cage. Take out the ② flat head screw driver from the bottom of the cage. Tighten the tie down screw on the bottom of the cage.

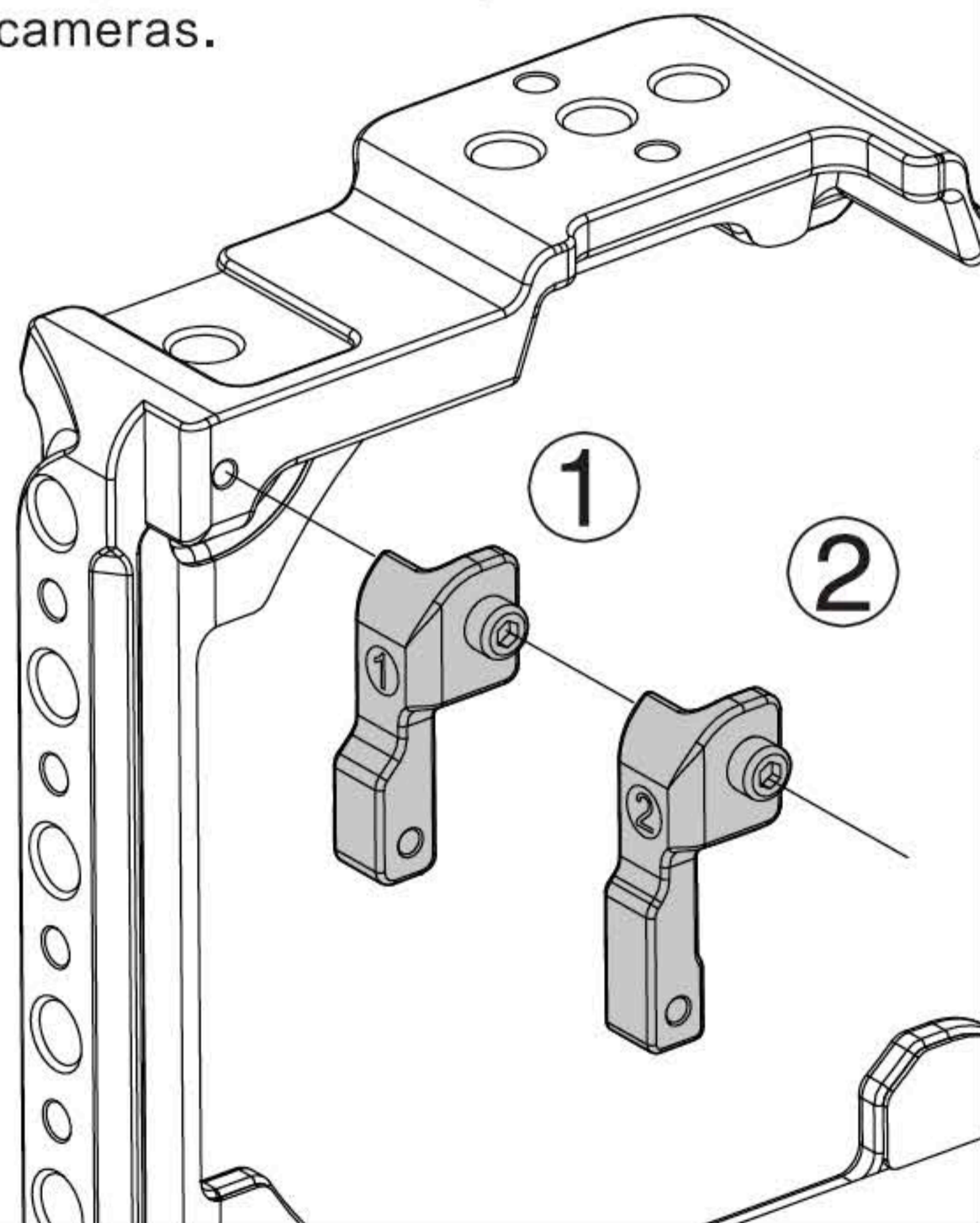


# 14

## INSTALLING SECURITY MOUNTING ATTACHMENT

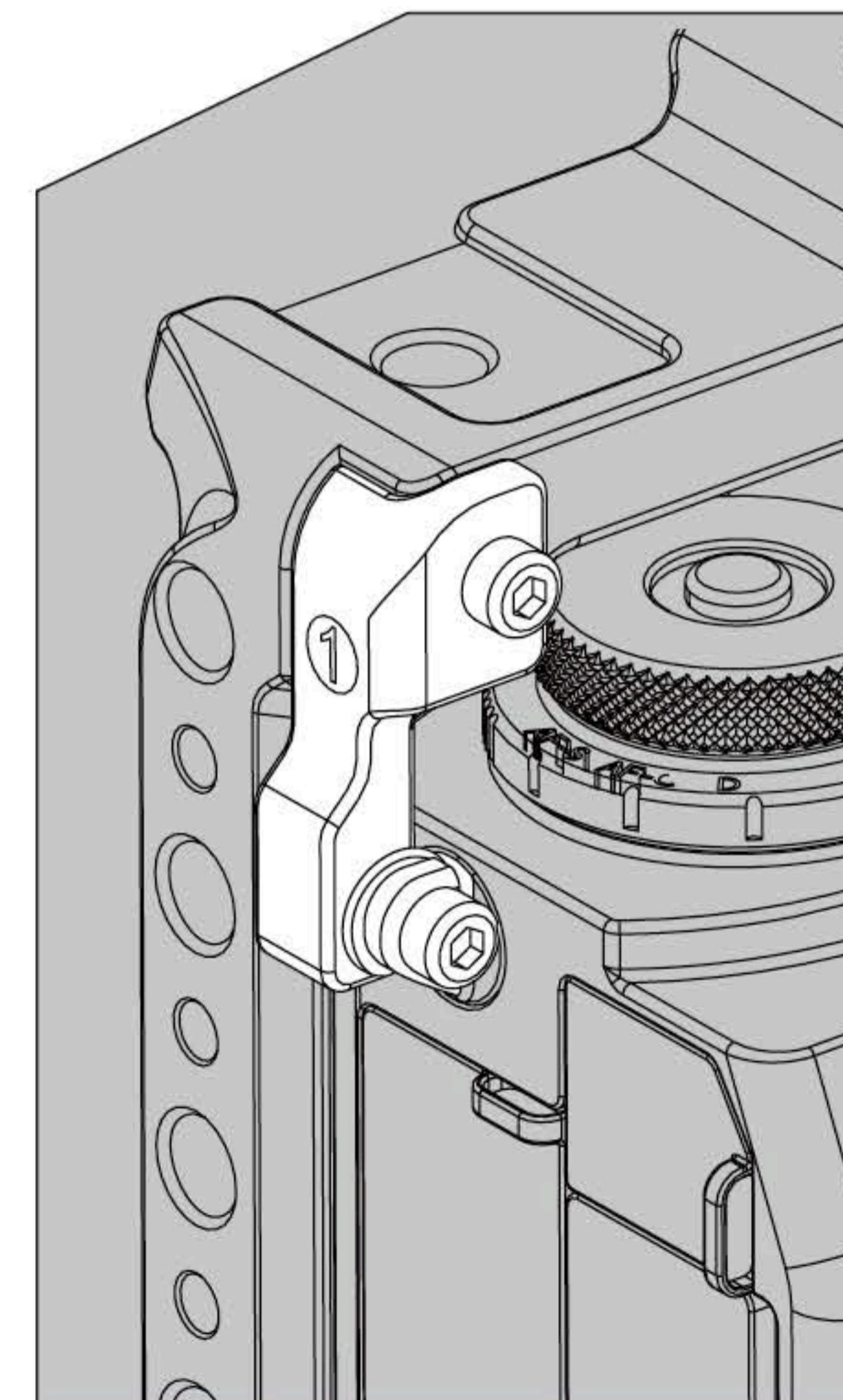
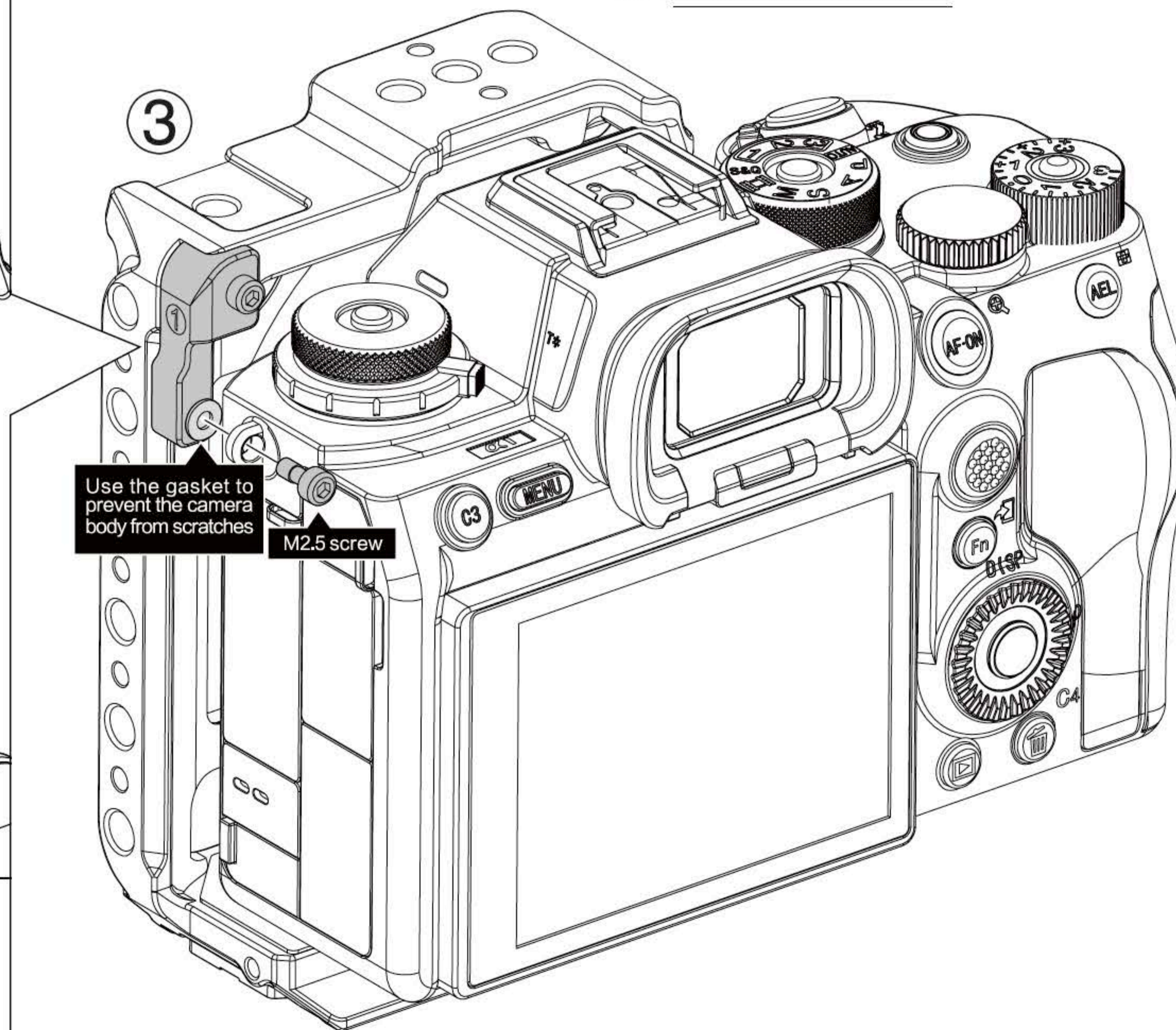
① B1 security mounting attachment is compatible with Sony A1/A7S3/R4 cameras.

② B2 security mounting attachment is compatible with Sony A73/R3 cameras.



1. The kit includes two security mounting attachments, B1 and B2. It can be adjusted up and down to be compatible with different camera models.

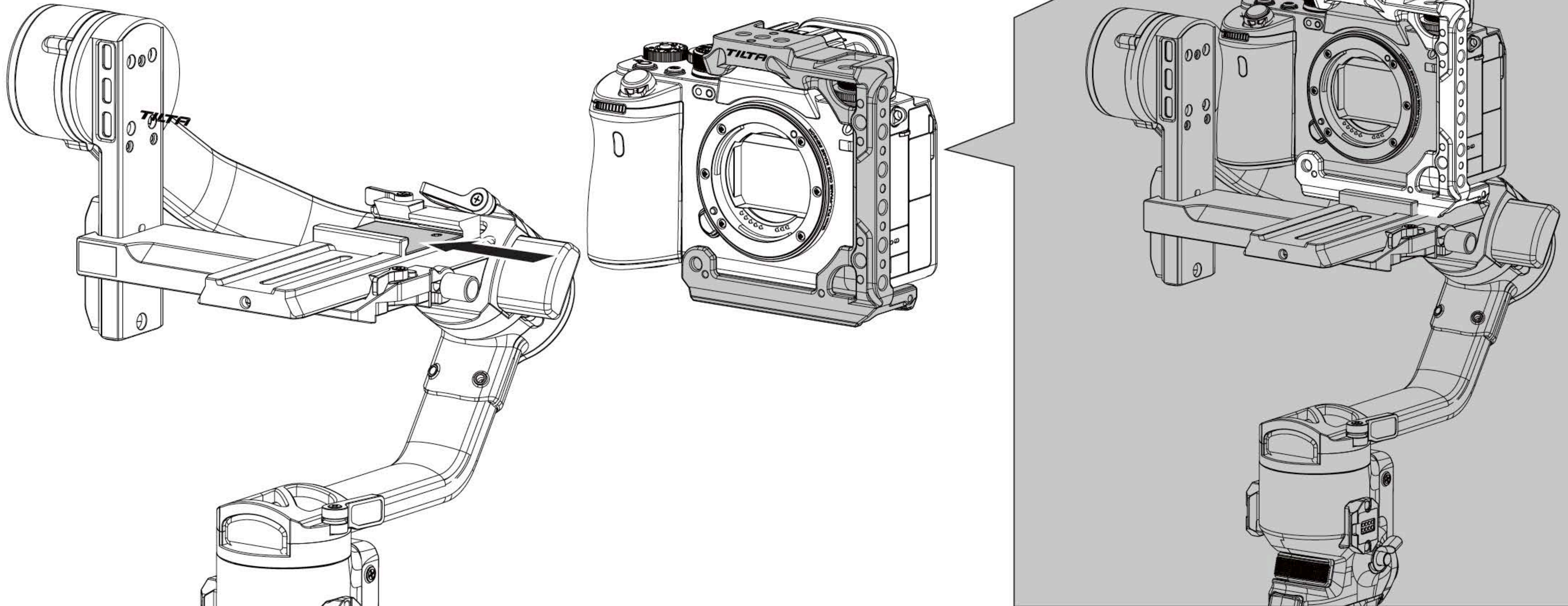
2. Uninstall the original triangle strap ring on the camera. Align the ① B1 security mounting attachment or ② B2 security mounting attachment to the security mounting hole on the back of the camera cage. Tighten the ③ tie down screws.

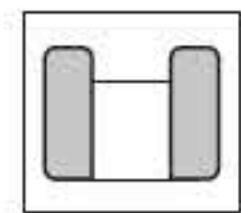


< ASSEMBLY >

► ARCA Quick Release Plate

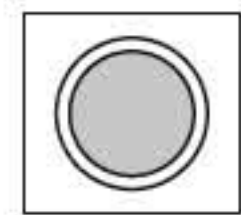
The camera cage has built-in ARCA quick release plate on the bottom. Supports quick and easy mounting on a gimbal or tripod.





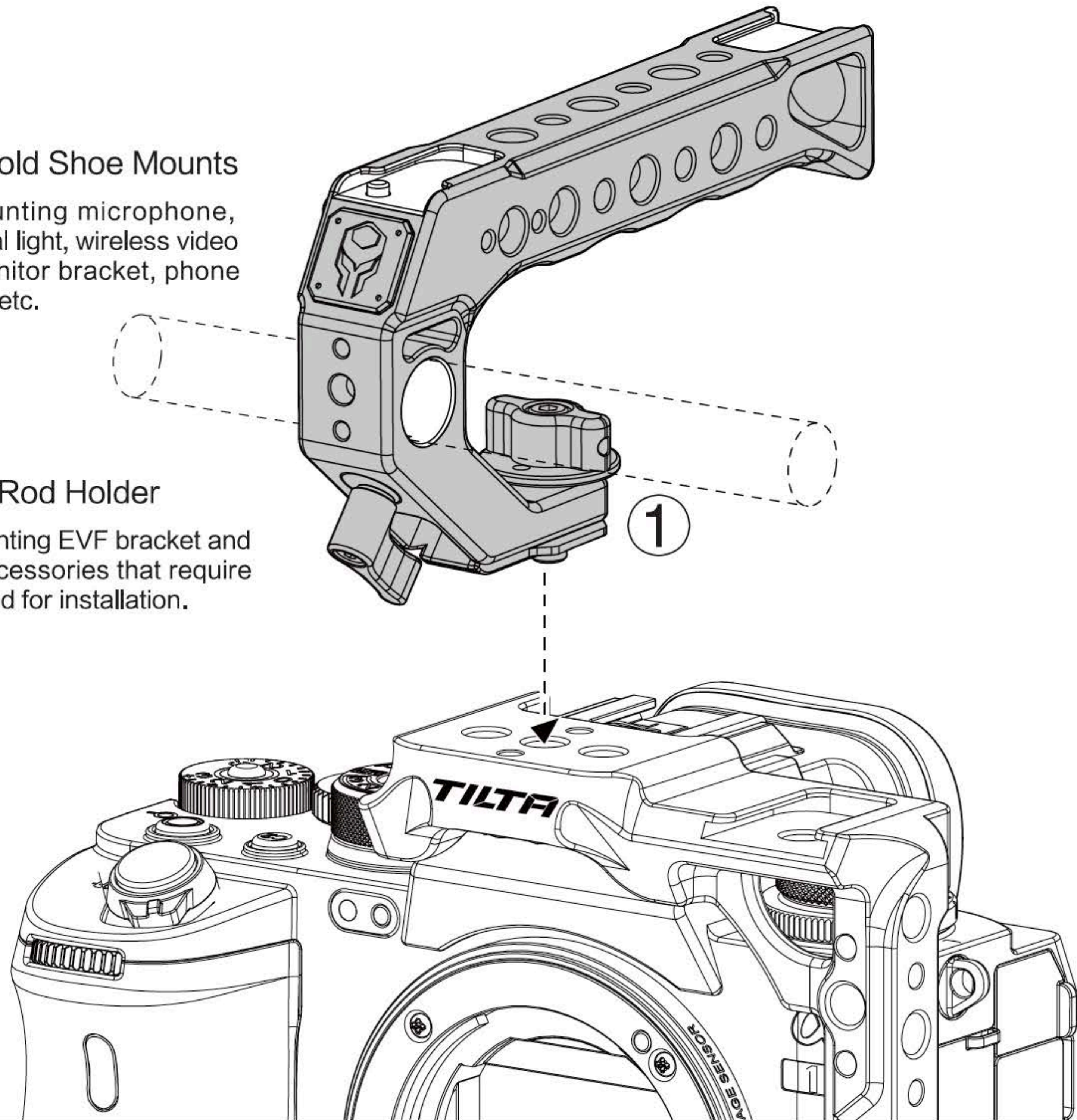
### Dual Cold Shoe Mounts

For mounting microphone, additional light, wireless video unit, monitor bracket, phone bracket, etc.

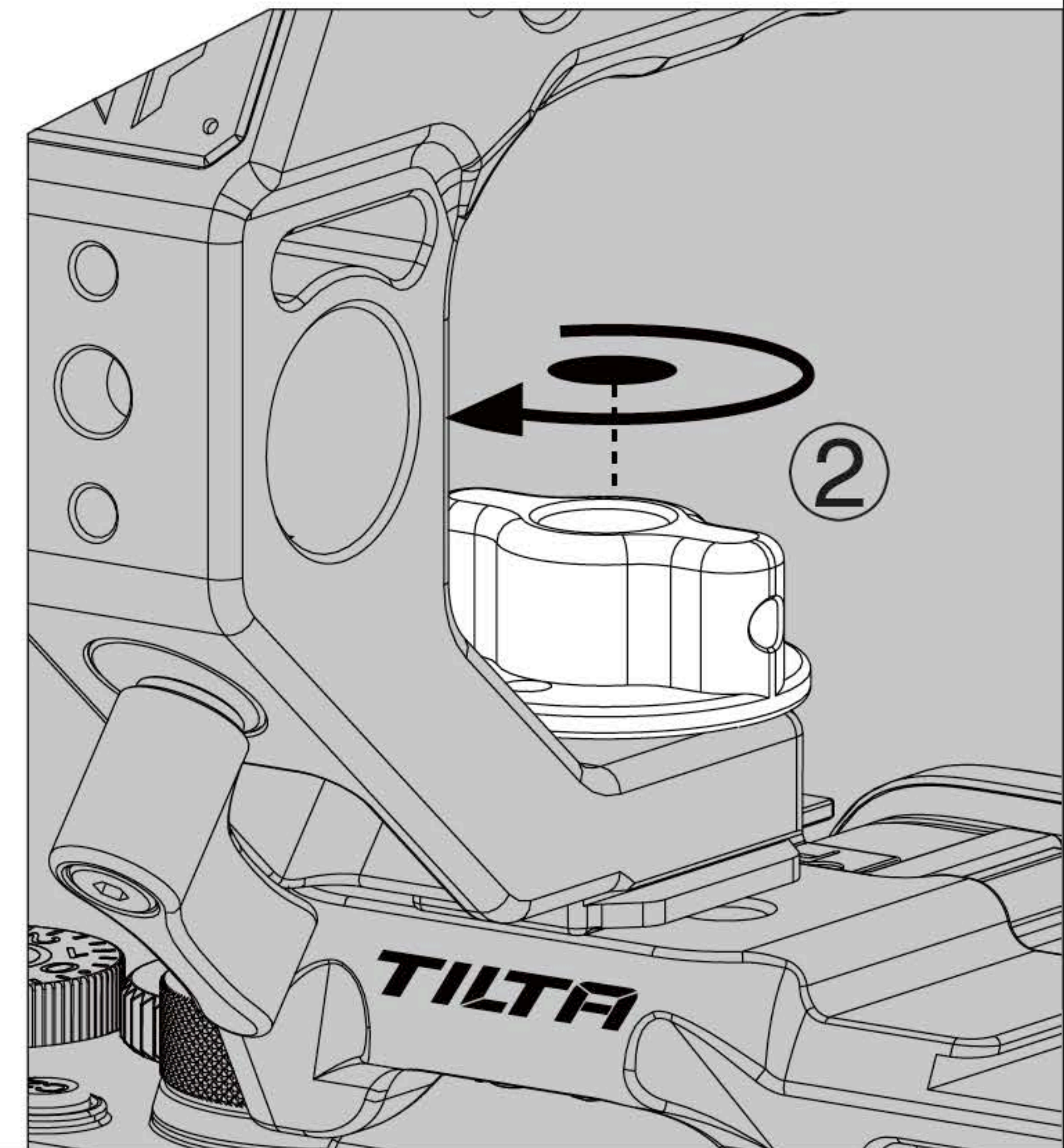


### 15mm Rod Holder

For mounting EVF bracket and other accessories that require 15mm rod for installation.

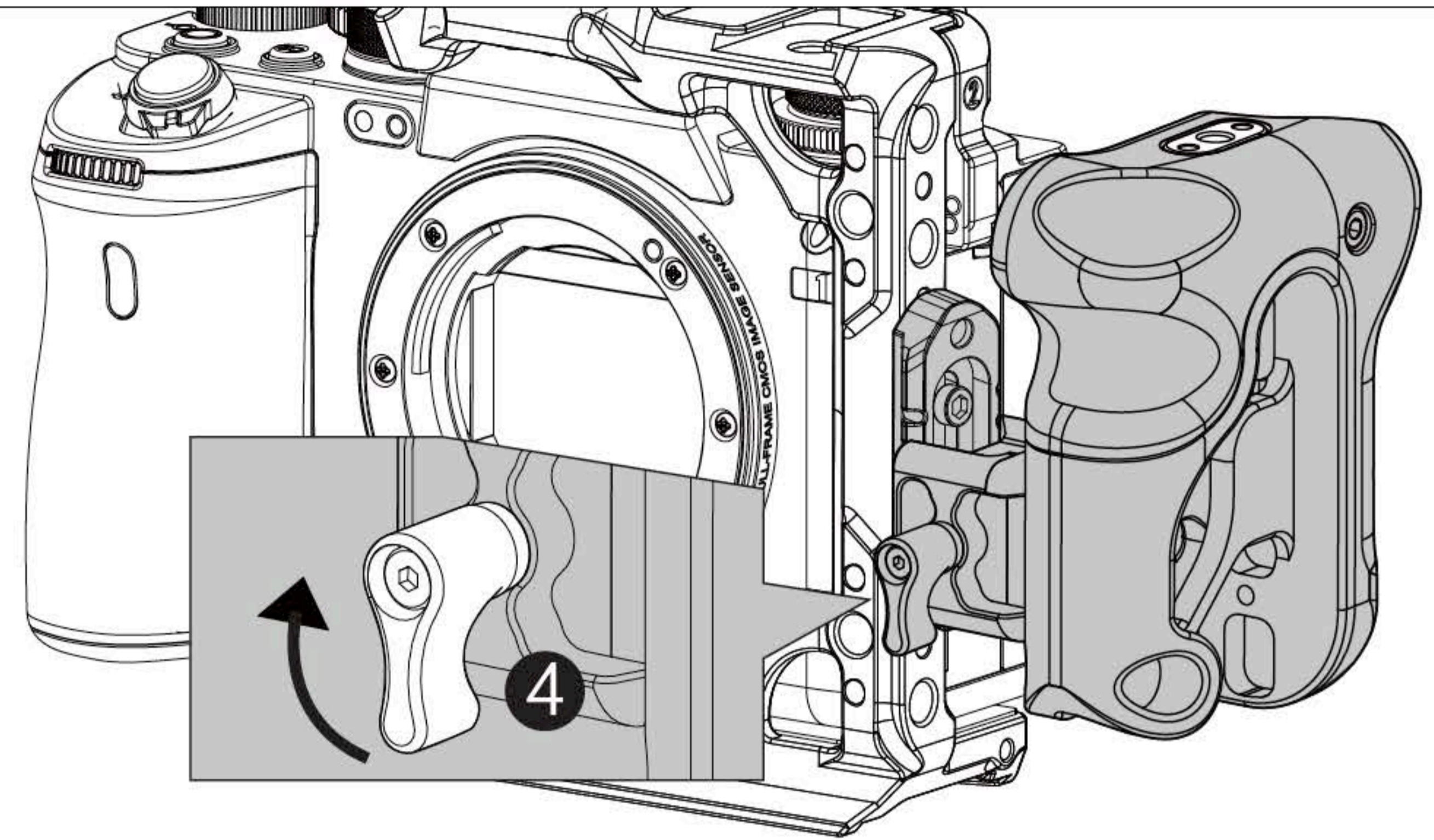
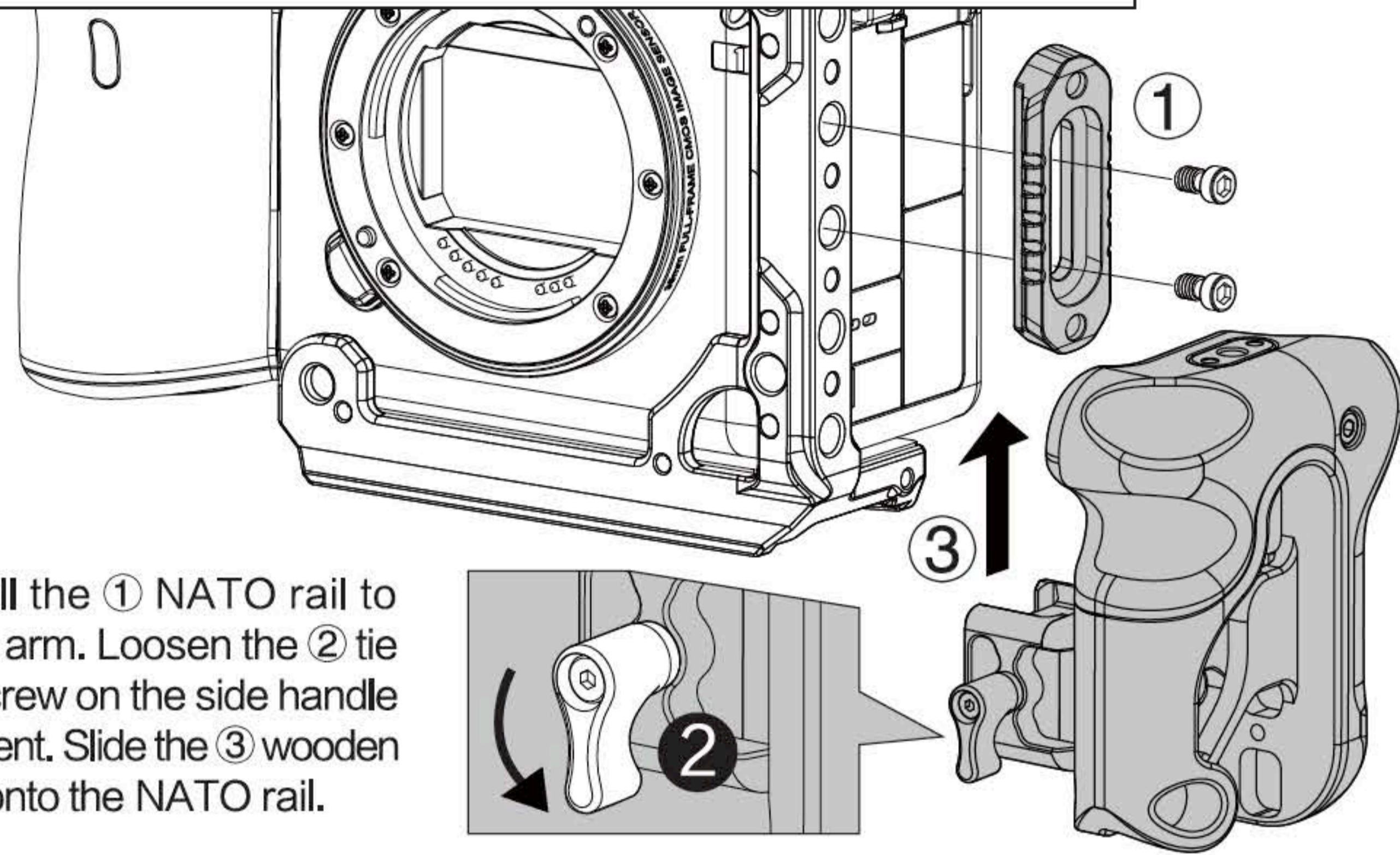


Align the tie down screw on ① the top handle with the 1/4" -20 locating point on top of the camera cage. Tighten the ② tie down screw.



# 17

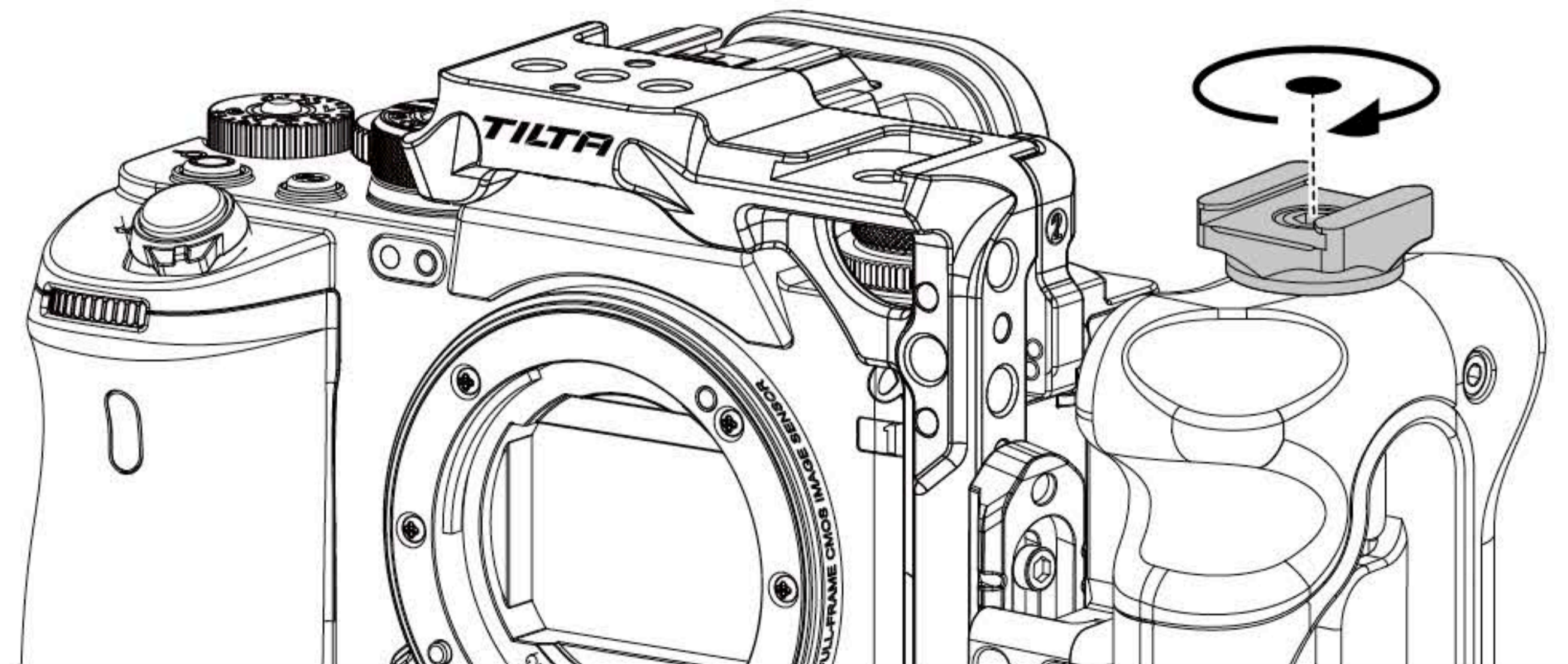
## INSTALLING NATO RAIL / WOODEN HANDLE/COLD SHOE MOUNT



3. Align the cold shoe receiver attachment with the 1/4" -20 screw hole on top of the wooden handle.

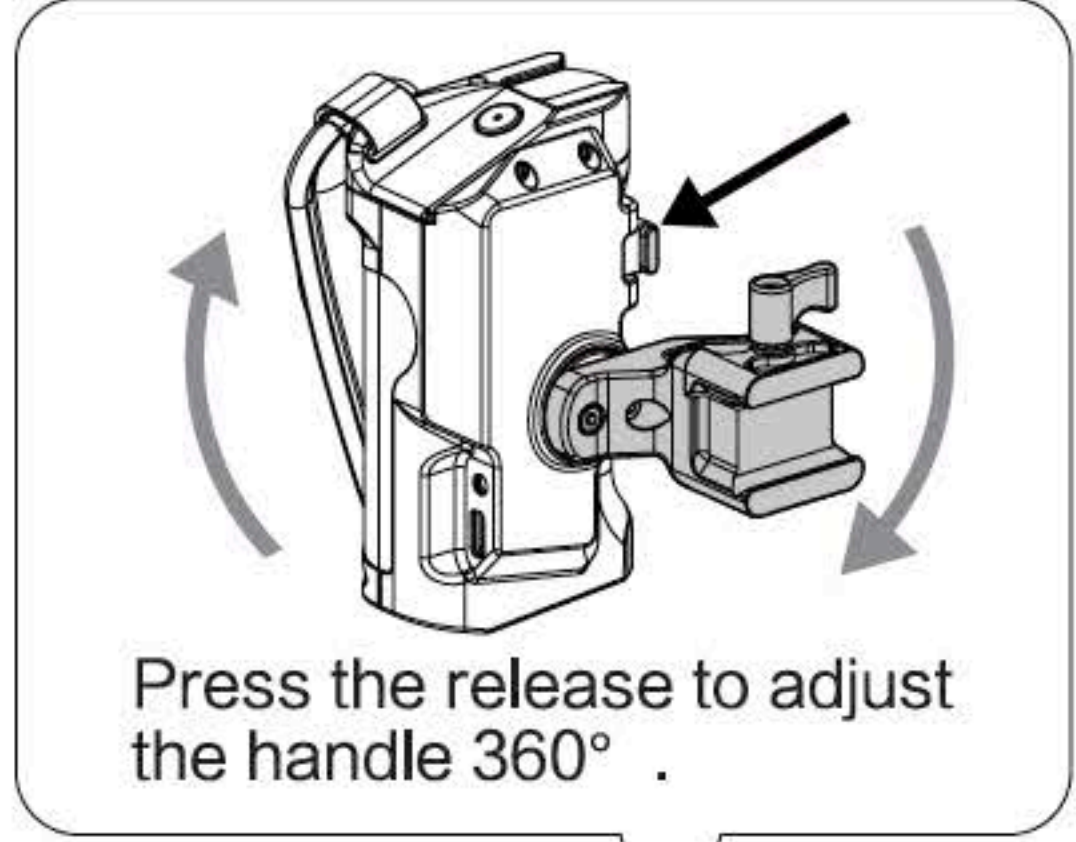
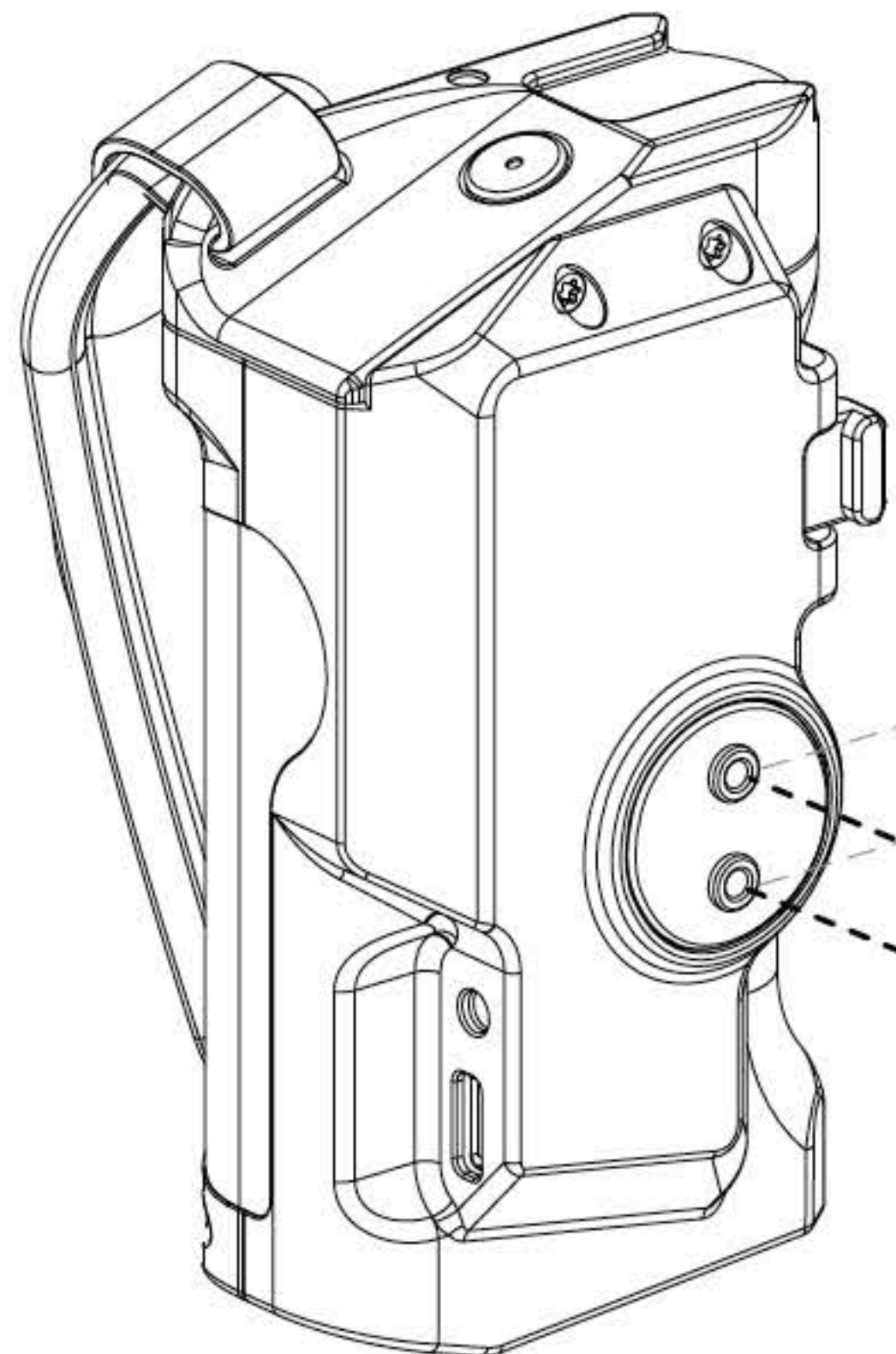


4. Tighten the tie down screw.



# 18

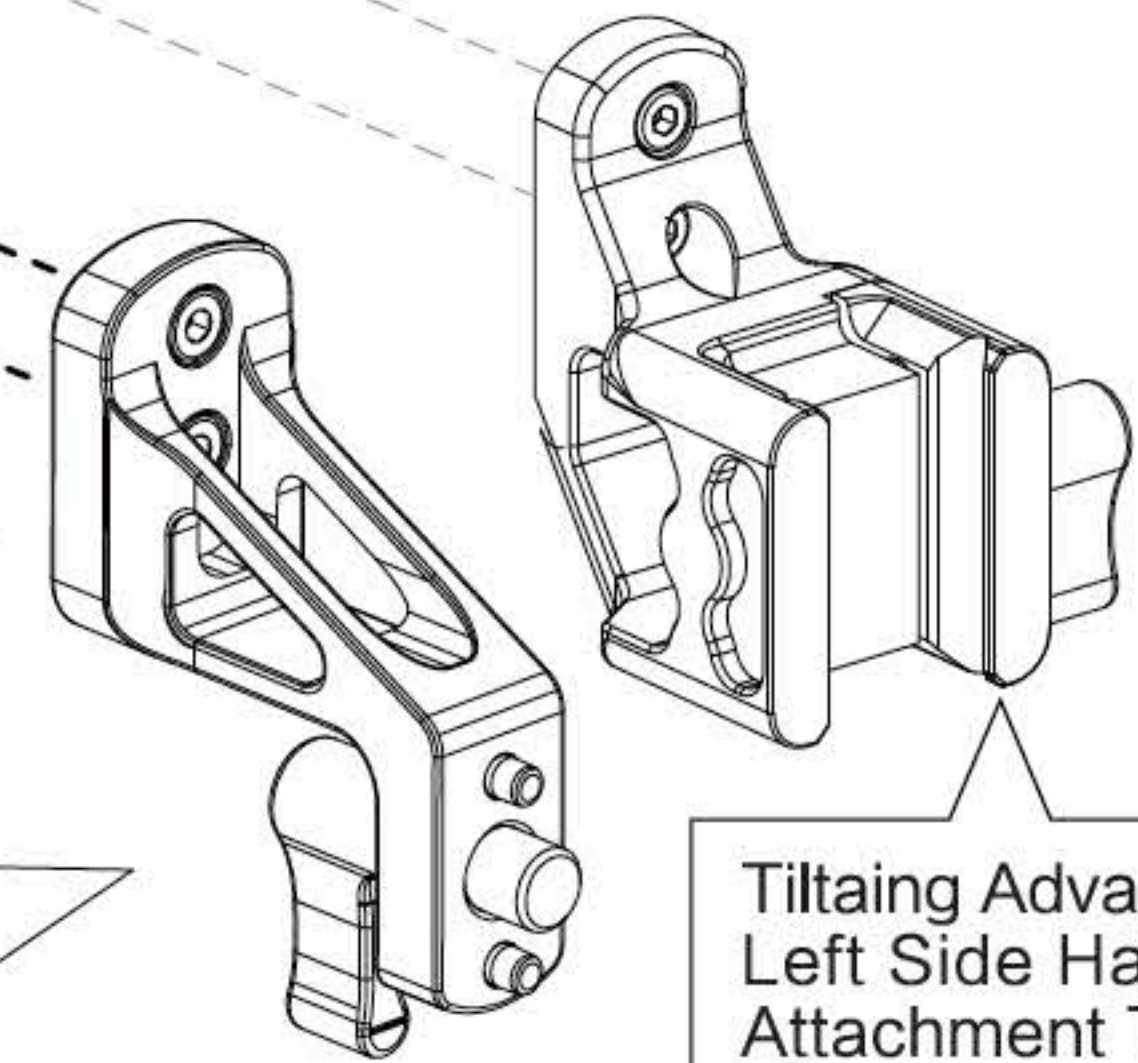
## INSTALLING SIDE HANDLE & SIDE HANDLE ATTACHMENT



Press the release to adjust the handle 360° .

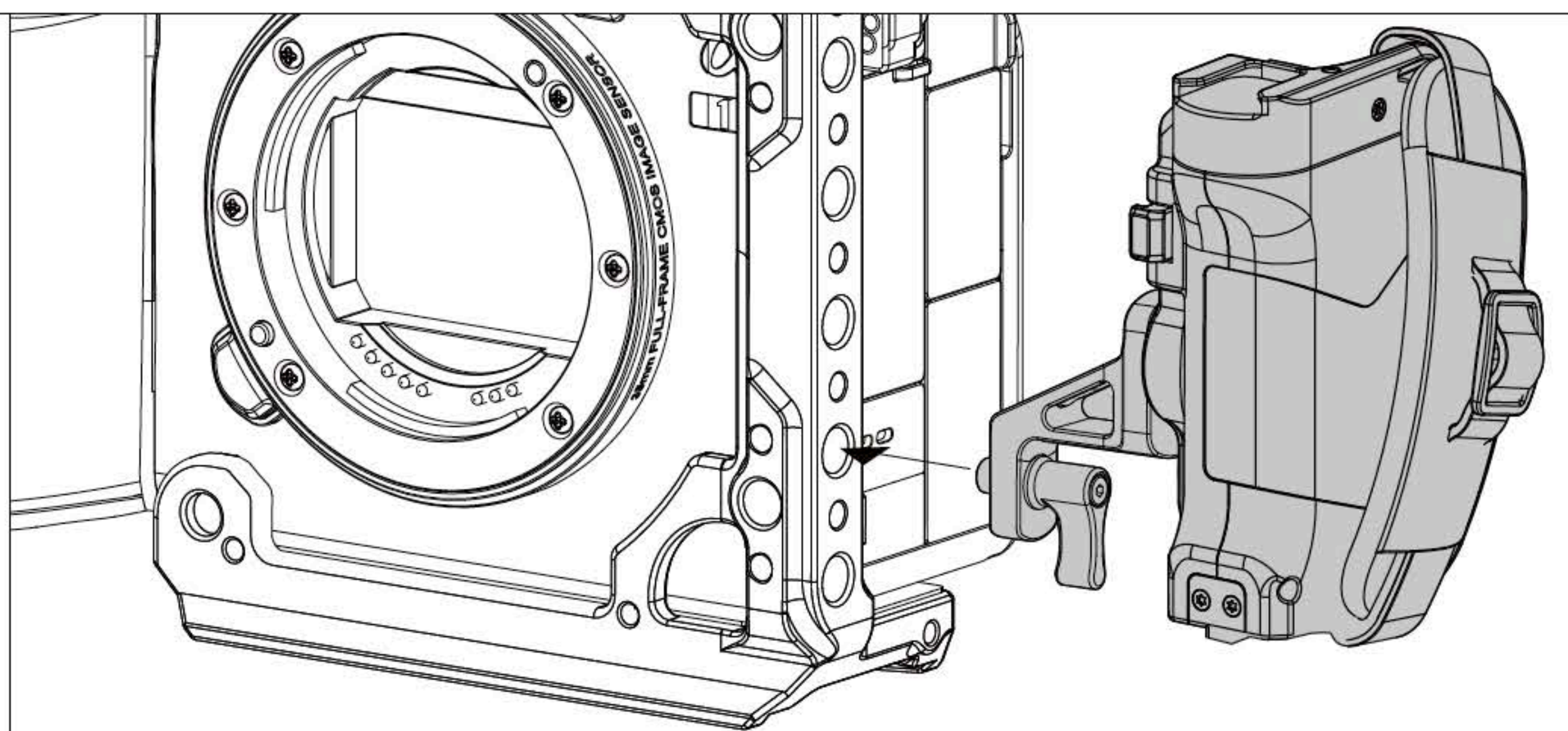


Press the release to adjust the handle 360° .

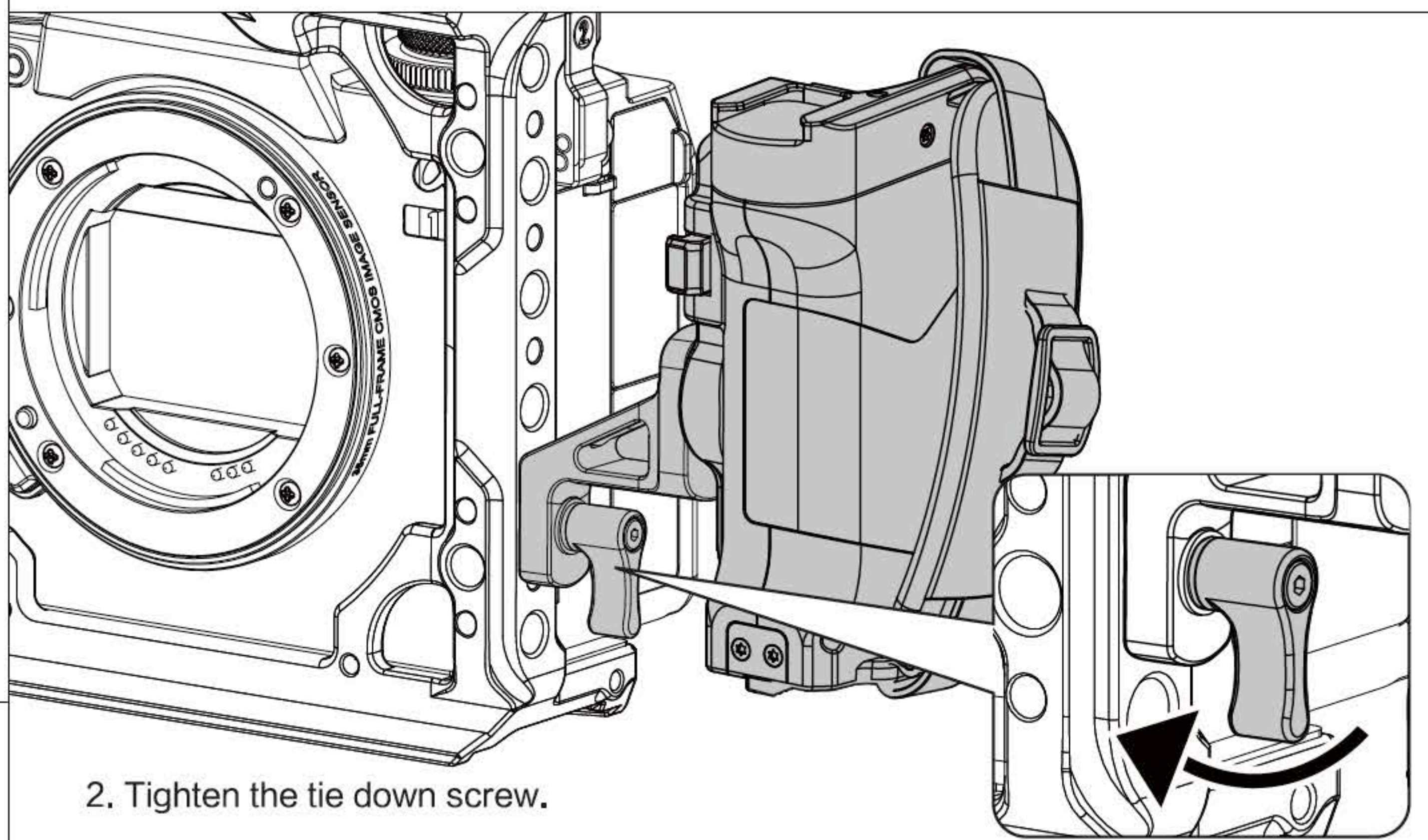


Tilting Advanced Left Side Handle Attachment Type VI

Tilting Advanced Side Handle Attachment Type VII



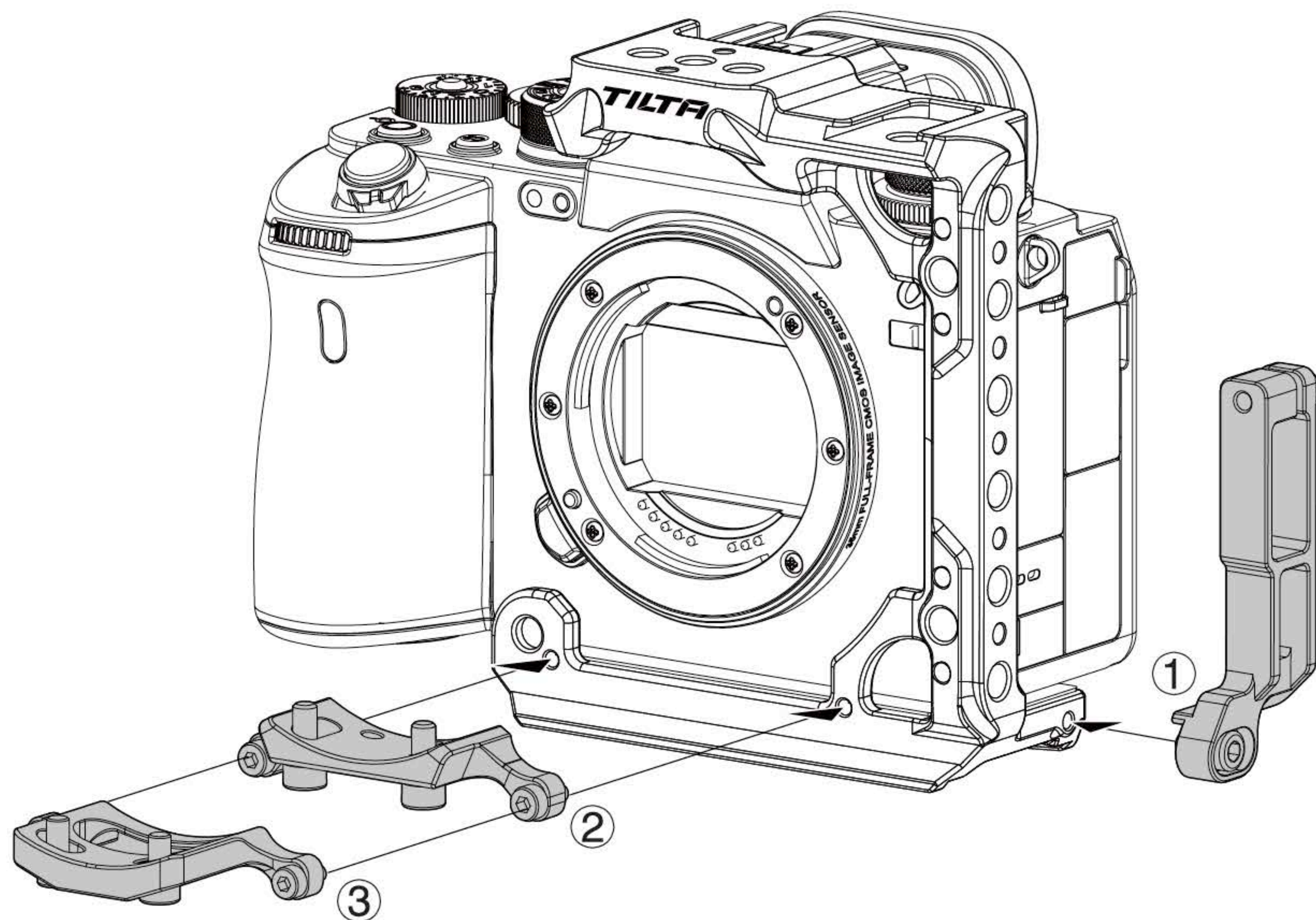
1. Install the Advanced Side Handle Attachment Type VII to the side handle. Then mount the side handle to the 1/4" -20 screw hole with locating point on the side arm.



2. Tighten the tie down screw.

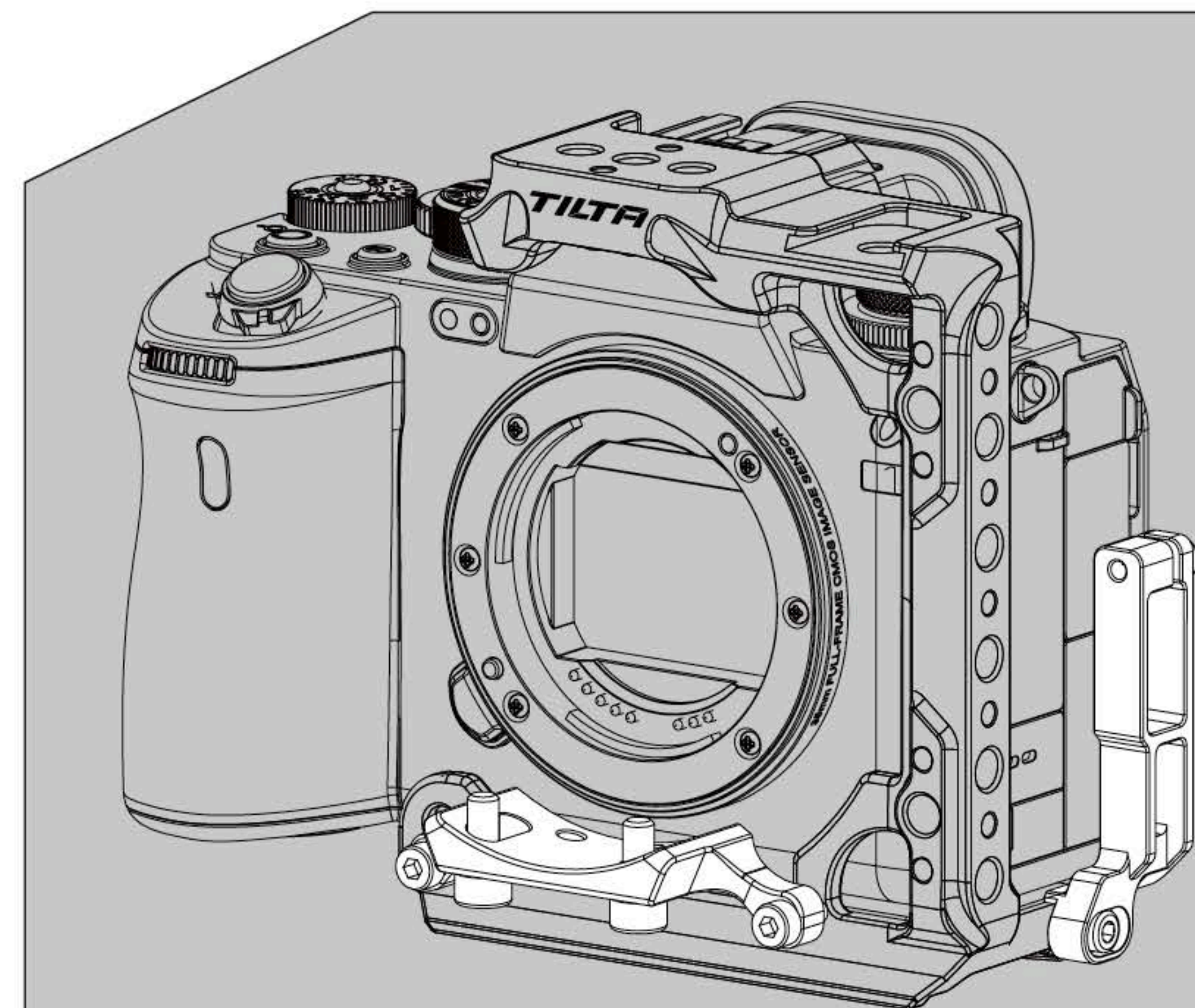


The focus handle has USB-C 8V and DC 12V outputs. Please check and connect your equipment accordingly. Tilta is not responsible for any user errors.

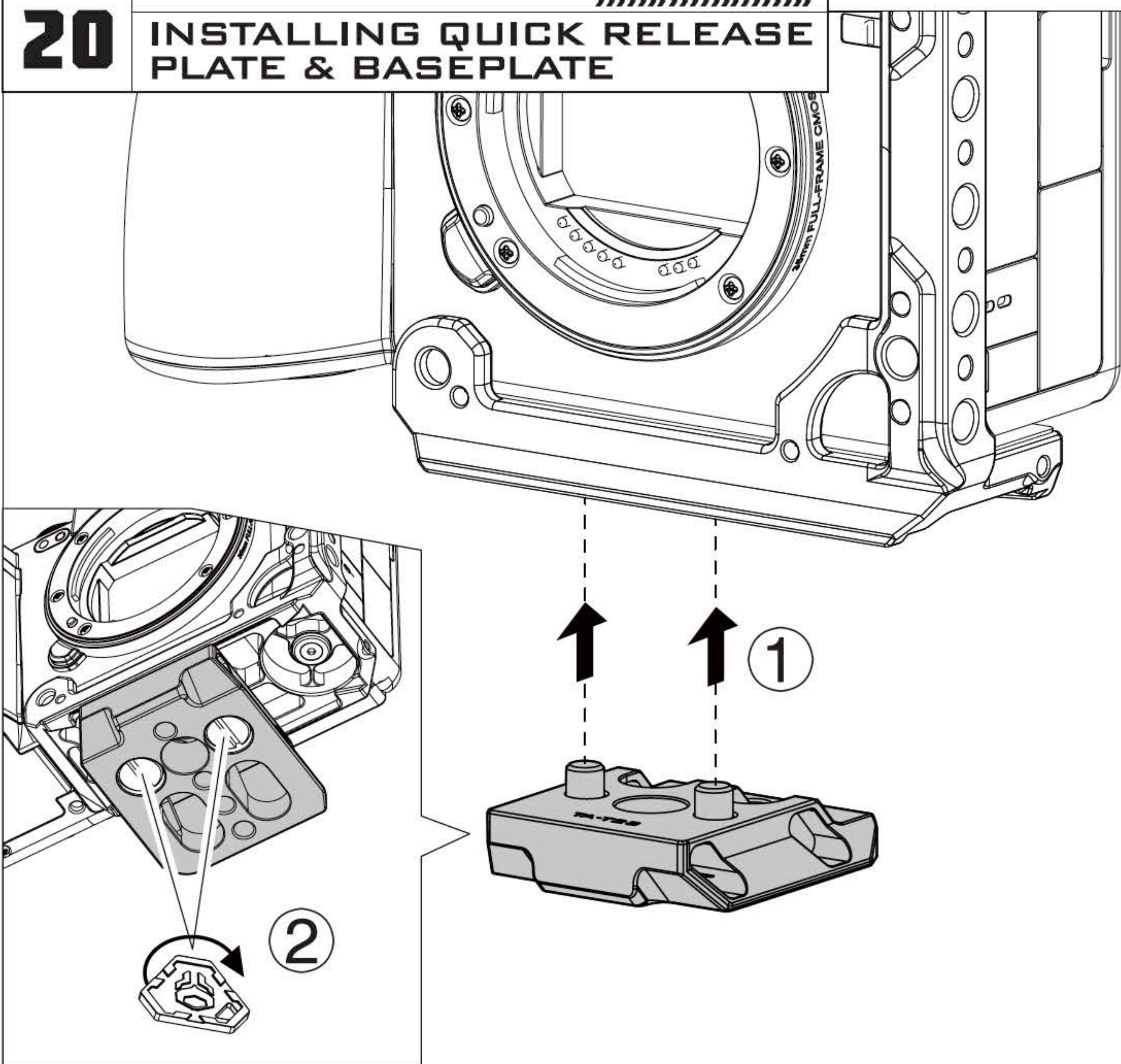


1. Install ① HDMI clamp attachment. Align the HDMI clamp attachment with the M3 screw holes on the right side. Tighten the tie down screw.

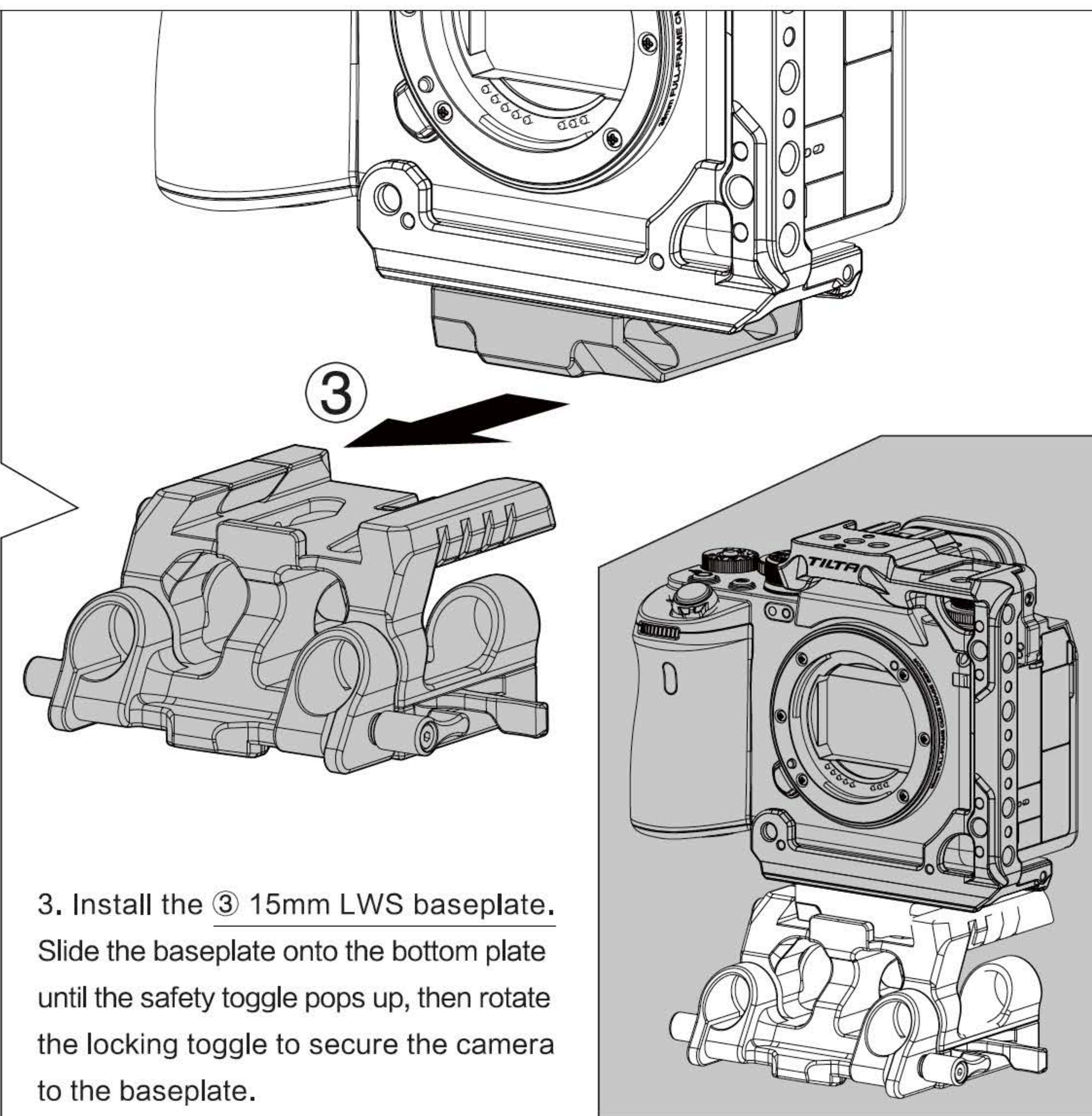
2. Install ② EF mount lens adapter support or ③ PL mount lens adapter support. Align the lens adapter support with the M3 screw holes on the front of the camera cage. Tighten the tie down screws.



## INSTALLING QUICK RELEASE PLATE & BASEPLATE



1. Align ① Manfrotto quick release plate with the 1/4" -20 screw holes on the bottom of the camera cage. Tighten the ② tie down screws.



3. Install the ③ 15mm LWS baseplate. Slide the baseplate onto the bottom plate until the safety toggle pops up, then rotate the locking toggle to secure the camera to the baseplate.