

# PrimeFilm XE Plus

## User's Manual



# FEDERAL COMMUNICATIONS COMMISSION (FCC) STATEMENT

This Equipment has been tested and found to comply with the limits for a class B digital device, pursuant to Part 15 of the FCC rules. These limits are designed to provide reasonable protection against harmful interference in a residential installation. This equipment generates uses and can radiate radio frequency energy and, if not installed and used in accordance with the instructions, may cause harmful interference to radio communications. However, there is no guarantee that interference will not occur in a particular installation. If this equipment does cause harmful interference to radio or television reception, which can be determined by turning the equipment off and on, the user is encouraged to try to correct the interference by one or more of the following measures:

- Re-orient or relocate the receiving antenna.
- Increase the separation between the equipment and receiver.
- Connect the equipment into an outlet on a circuit different from which the receiver is connected to.
- Consult the dealer or an experienced radio/TV technician for help.

## **Warning :**

Use only shielded signal cables to connect I/O devices to this equipment.

You are cautioned that changes or modifications not expressly approved by the party responsible for compliance could void your authority to operate the equipment.

# TABLE OF CONTENTS

**Getting Started**

[click](#)

Quick Installation Guide (QIG)

[click](#)

Installing Software and Driver

[click](#)

Installing Hardware

[click](#)

Technical Support

[click](#)

# GETTING STARTED

Check the package content before getting started.

For Quick Installation please refer to [Quick Installation Guide. \(Ref. Pg. 6\)](#)

**Important!** Save the original box, receipt and packing material for future shipping needs.

## Package Contents

- Film Scanner
- Power Adapter

**Warning!** Using any other power adapter may severely damage the scanner and will void the product warranty.

- USB 2.0 Cable.

## GENERAL GUIDANCE:

- Only use the supplied USB-Cable. Connect the computer to the scanner directly using the USB 2.0 cable.
- For systems using USB 3.0 (USB-C mini port) a HUB may be required
- If your situation requires a longer USB cable, use only cables 6ft or less in length, do not use a cable extender. Also, for best connectivity on desktop computers use only the rear USB ports.
- If there are any other devices (multifunction devices, i.e. printers, scanners, webcam) connected to the computer through USB you may need to disconnect them, this does not apply to Wi-Fi connected devices.
- A minimum of 8GB RAM (Windows/Mac) is required, 8GB or higher recommended.

Operating Ambient Temperature Range  
50° to 104°F (10° to 40°C)

**Note:** Do not turn on the scanner unless it is within this range. If the scanner has been stored or transported outside of this range, allow it to return to within this range before turning it on.

Operating Ambient Humidity Range 15% to 76% relative humidity (non-condensing)

**Note:** If the scanner is stored or to be transported in cold temperature and then brought into a warm /humid environment condensation may occur.

# QUICK INSTALLATION GUIDE

## INSTALLING SOFTWARE AND DRIVER

### Installing Scanner Driver

**NOTE:** Make sure the scanner is NOT connected to the computer during the CyberView X driver installation.

Download the CyberView X scanning software from the website [Download Drivers Click Here](#)

- PC – 1.** Open the download location Double click on the "CyberView X\_Windows\_installer.zip" icon to open the zipped file  
**2.** Click on the CyberView X\_Windows installer icon to begin the installation, follow the onscreen prompts

**MAC –** Download the driver from the above link, then click on the CyberViewX\_Mac file in the downloads folder

this will create a CyberView X removable drive icon on the desktop, open the CyberView X drive and drag the CyberView X icon on the desktop.

**NOTE:** Apple systems may display a warning that the software was from unidentified developer because it was not downloaded from the Apple Store, once you run the installer, if you see this warning, next click on the Apple icon – System Preferences – Security & Privacy – Look for the message CyberView X attempted to run, Select Open Anyways



## Installing Hardware a. Connect the slide scanner to a power source.

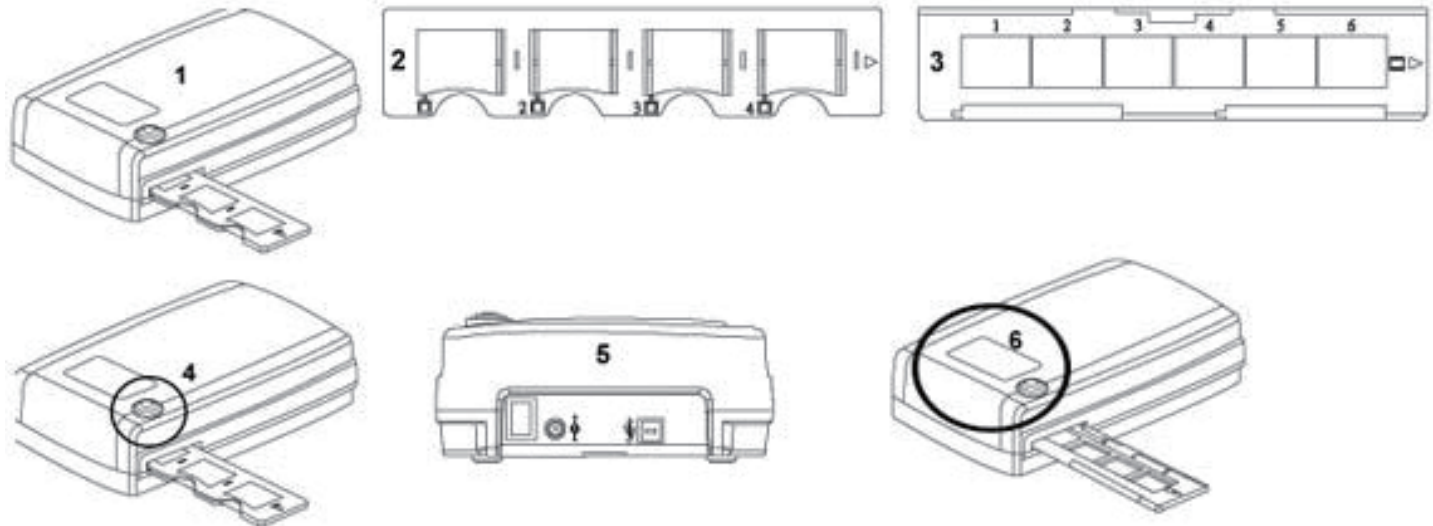
1. Locate the power switch on the lower left t side back of the scanner. Make sure the scanner is TURNED OFF.



2. Plug the AC adapter into an AC power source FIRST before plugging it into the scanner.

3. Attach the USB cable to the computer using the standard USB adapter end. Attach the U shaped USB adapter end of the cable to back panel of the scanner.

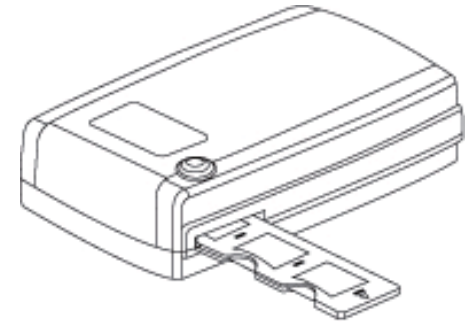
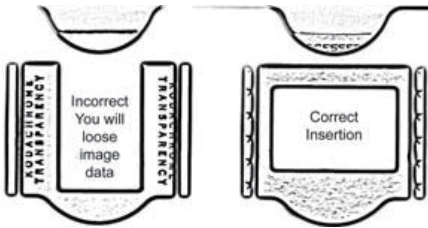
1. Scanner
2. Slide holder
3. Film Holder
4. One Button Scan
5. Back of the unit
6. Viewing Window



## Mounted Slides

- 1-1. Load the mounted slides into the slide holder, shiny side facing upward
- 1-2. Insert the slide holder into the scanner with the arrow facing upwards
- 1-3. Insert to holder into the scanner from the left or the right side

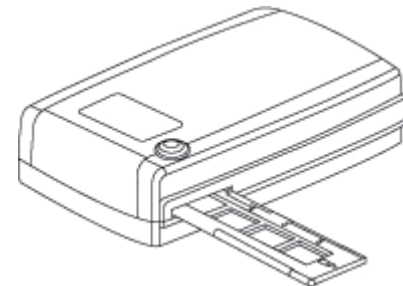
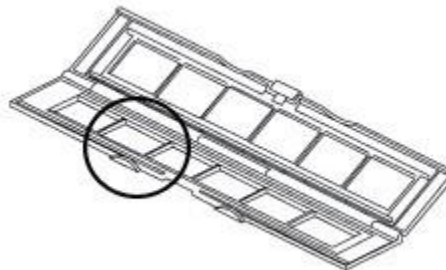
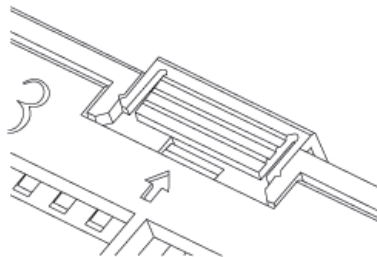
Please Note: improper insertion will cut off the top of the image.



2. Set Scan settings and preferences please refer to CyberView X User Manual

## Negative Film Strips

- 2-1. Load the negative into the holder making sure to align the film frames with the frames on the holder, and with the shiny side facing upward
- 2-2 Close the film holder
- 2-3. Insert the film holder into the scanner from the left or right side, with the arrow facing upwards



# TECHNICAL SUPPORT

## CyberView

For more information on our film scanners, please visit [\*Pacific Image Electronics\*](#)

For Support and driver updates

[\*Driver and Firmware updates\*](#)

[\*Contact Us\*](#)