

PrimeFilm 120 Pro Plus User's Manual



FEDERAL COMMUNICATIONS COMMISSION (FCC) STATEMENT

This Equipment has been tested and found to comply with the limits for a class B digital device, pursuant to Part 15 of the FCC rules. These limits are designed to provide reasonable protection against harmful interference in a residential installation. This equipment generates uses and can radiate radio frequency energy and, if not installed and used in accordance with the instructions, may cause harmful interference to radio communications. However, there is no guarantee that interference will not occur in a particular installation. If this equipment does cause harmful interference to radio or television reception, which can be determined by turning the equipment off and on, the user is encouraged to try to correct the interference by one or more of the following measures:

- Re-orient or relocate the receiving antenna.
- Increase the separation between the equipment and receiver.
- Connect the equipment into an outlet on a circuit different from which the receiver is connected to.
- Consult the dealer or an experienced radio/TV technician for help.

Warning :

Use only shielded signal cables to connect I/O devices to this equipment.

You are cautioned that changes or modifications not expressly approved by the party responsible for compliance could void your authority to operate the equipment.

TABLE OF CONTENTS

Getting Started

[click](#)

Quick Installation Guide (QIG)

[click](#)

Installing Software and Driver

[click](#)

Installing Hardware

[click](#)

Loading 120 Films into the Holder

[click](#)

Loading 120 Film Holder into the Scanner

[click](#)

Loading 135 Film into the Holder

[click](#)

Loading 135 Mounted Slides into the Holder

[click](#)

Loading 135 Film and Slide Holder into Scanner

[click](#)

Technical Support

[click](#)

GETTING STARTED

Check the package content before getting started.

For Quick Installation please refer to Quick Installation Guide. (Ref. Pg. 11)

Important! Save the original box, receipt and packing material for future shipping needs.

Package Contents

- Film Scanner
- Medium format film holder for one or two frames (6 x 4.5 cm, 6 x 6 cm), one frame (6 x 7 cm, 6 x 8 cm, 6 x 9 cm, and 6 x 12 cm)
- 135 film holder.
- 135 slide holder.
- Power Adapter

Warning! Using any other power adapter may severely damage the scanner and will void the product warranty.

- USB 2.0 Cable.

GENERAL GUIDANCE:

- Only use the supplied USB-Cable. Connect the computer to the scanner directly using the USB 2.0 cable.
- For systems using USB 3.0 (USB-C and USB mini port) a Hub may be required please see [Connectivity issues with my new scanner](#)
- If your situation requires a longer USB cable, use only cables 6ft or less in length, do not use a cable extender
Also for best connectivity on Desktop computers use only the rear USB ports
- If there are any other devices (multifunction devices, i.e. printers, scanners, web- cam) connected to the computer
through USB you may need to disconnect them, this does not apply to Wi-Fi connected devices
- A minimum of 1 GB RAM (Windows/Mac) is required, 2GB or more highly recommended.

Operating Ambient Temperature Range
50° to 104°F (10° to 40°C)

Note: Do not turn on the scanner unless it is within this range. If the scanner has been stored or transported outside of this range, allow it to return to within this range before turning it on.

Operating Ambient Humidity Range 15% to 76% relative humidity
(non-condensing)

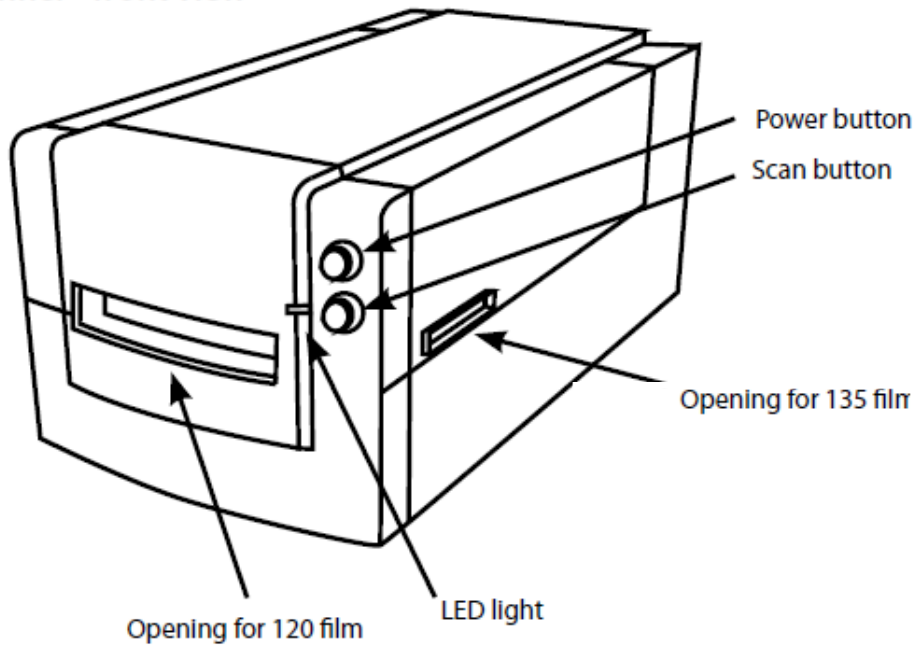
Note: If the scanner is stored or to be transported in cold temperature and then brought into a warm / humid environment condensation may occur.

WARRANTY INFORMATION NOTICE

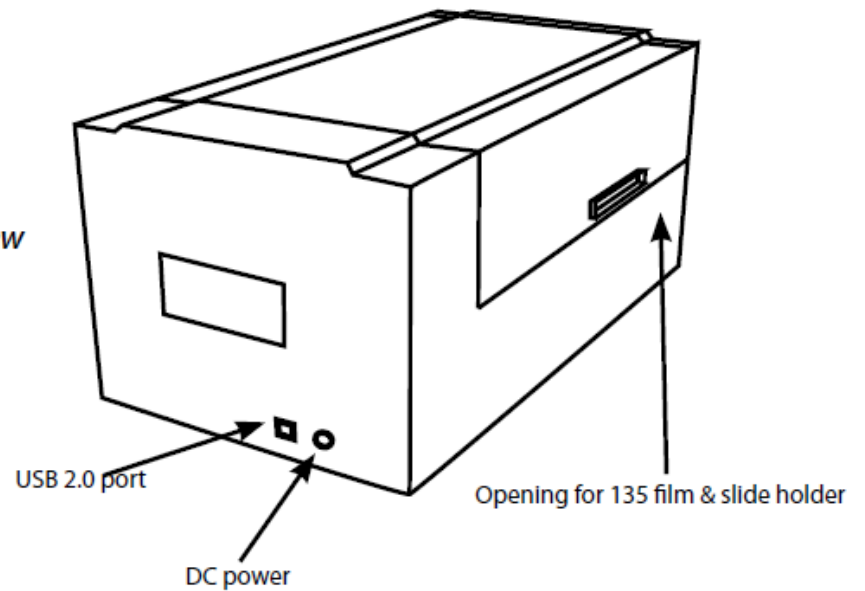
Pacific Image warrants this product to be free from defects of material and workmanship for 1 year from the date of purchase

QUICK INSTALLATION GUIDE

Scanner - front view



Scanner - rear view



QUICK INSTALLATION GUIDE

INSTALLING SOFTWARE AND DRIVER

Installing Scanner Driver

NOTE: Make sure the scanner is NOT connected to the computer during the CyberView X driver installation.

Download the CyberView X scanning software from the website [*Download Drivers Click Here*](#)

WINDOWS – Open the download location Double click the "CyberView X" icon to open the zipped file
Click on the CyberView X_Windows installer to begin the installation, follow the onscreen prompts

MAC – Download the driver from the above link, then click on the CyberViewX_Mac file in the downloads folder
this will create a CyberView X removable drive icon on the desktop, open the CyberView X drive and drag the CyberView X icon on the desktop.



QUICK INSTALLATION GUIDE

NOTE: Apple systems may display a warning that the software was from unidentified developer because it was not downloaded from the Apple Store, once you run the installer, if you see this warning, next click on the Apple icon – System Preferences – Security & Privacy – Look for the message CyberView X attempted to run, Select Open Anyways

Please Note: When installing your new scanner onto a Windows system that already has another USB Scanning device **PHYSICALLY CONNECTED**

EXAMPLE: Flatbed scanner or All-in-one Scan/Copier/Printer device connected to a USB port, it may be necessary to power off or if there is no on/off switch disconnect the other scanner from the USB port for the Film scanner to work properly, this does not apply if the device connect via Wi-Fi

Installing Hardware a. Connect the slide scanner to a power source.

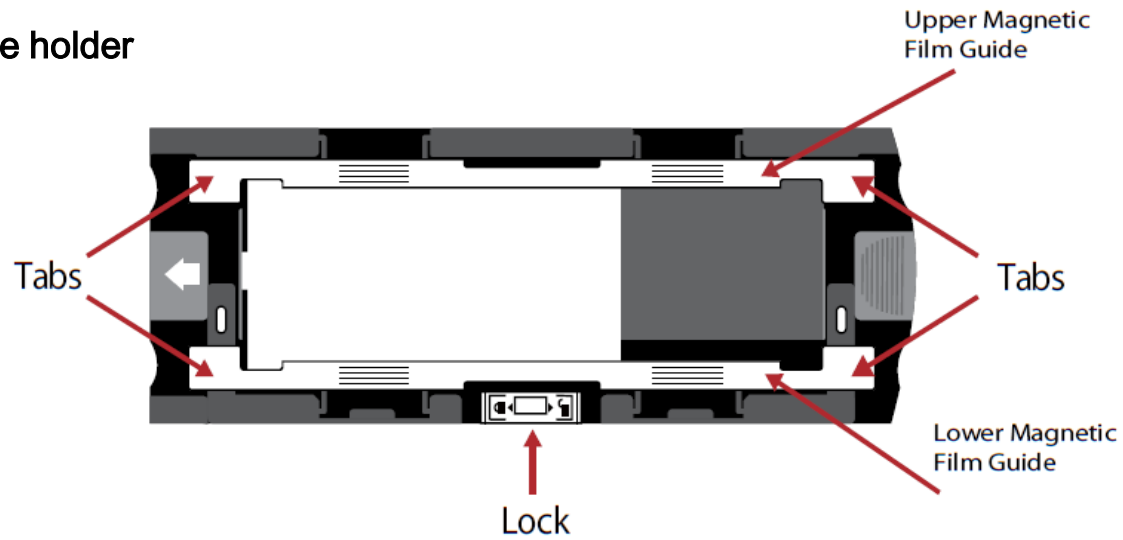
1. Locate the power switch on the front of the scanner. Make sure the scanner is **TURNED OFF**.
2. Plug the AC adapter into an AC power source **FIRST** before plugging it into the scanner.
3. Attach the USB cable to the computer using the standard USB adapter end. Attach the U shaped USB adapter end of the cable to back panel of the scanner.

For instructions on loading film into holders see p. 11.

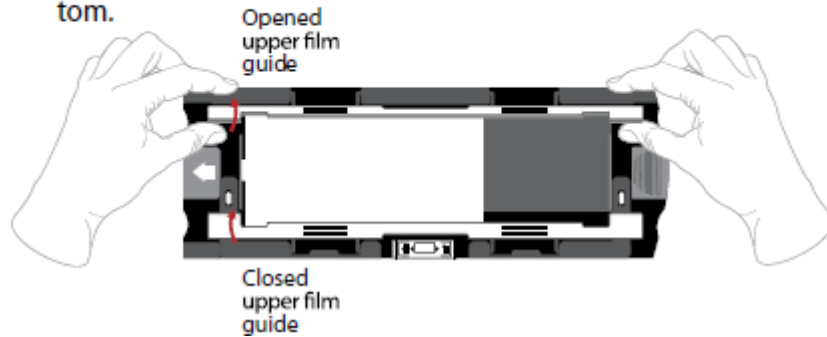
If you are familiar with loading film into film holders skip to p. 18.



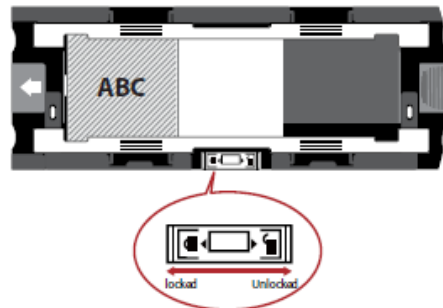
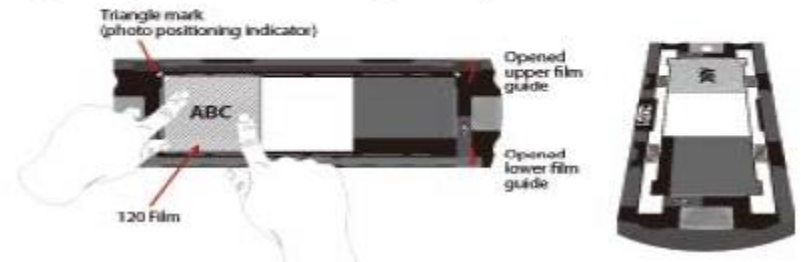
Loading 120 film into the holder



1. As illustrated above, turn the holder with the embossed arrow facing towards the left, so that the lock on the holder is at the bottom.

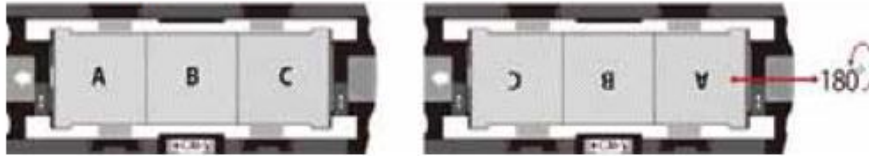


2. Open the two magnetic film holder guides on the sides of the holder by pulling on the tabs of the guides upwards.



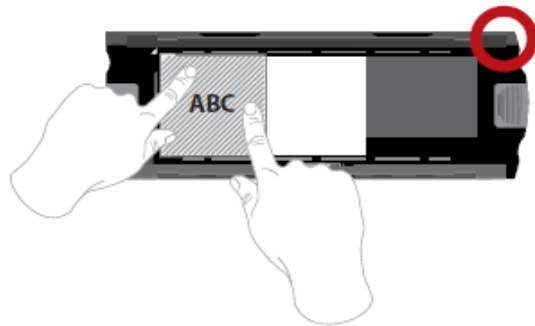
Loading 120 film into the holder... *continued*

3. To scan a 3rd frame in the strip you will need to remove the strip and rotate it 180 degrees so the writing on the edges is now inverted ɹɹV

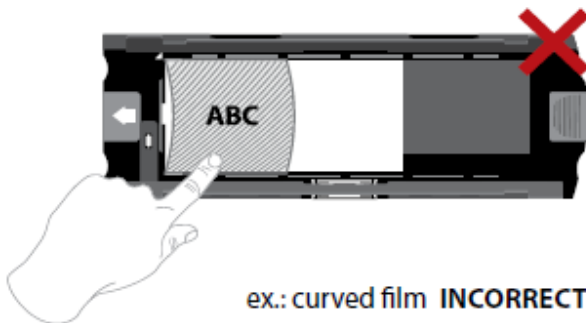


4. Orient the film as illustrated the text on the film edges will read ABC. Align the film with the triangle mark in the upper left corner. Close the upper film guide first.

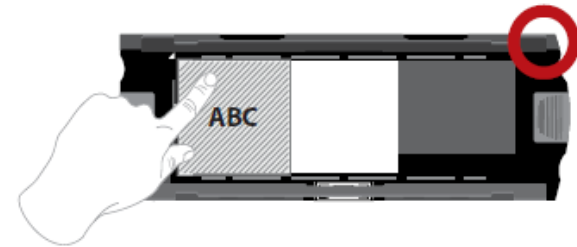
NOTE: Make sure that the film is as flat as possible between the film guide holders (see below).



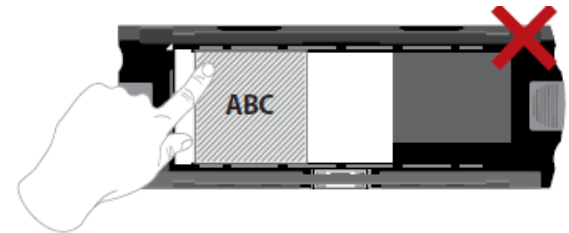
ex.: flattened film **CORRECT**



ex.: curved film **INCORRECT**



ex.: correctly positioned film, lower left corner at the triangle mark



ex.: incorrectly positioned film, not aligned with triangle mark

Loading 120 film holder into scanner

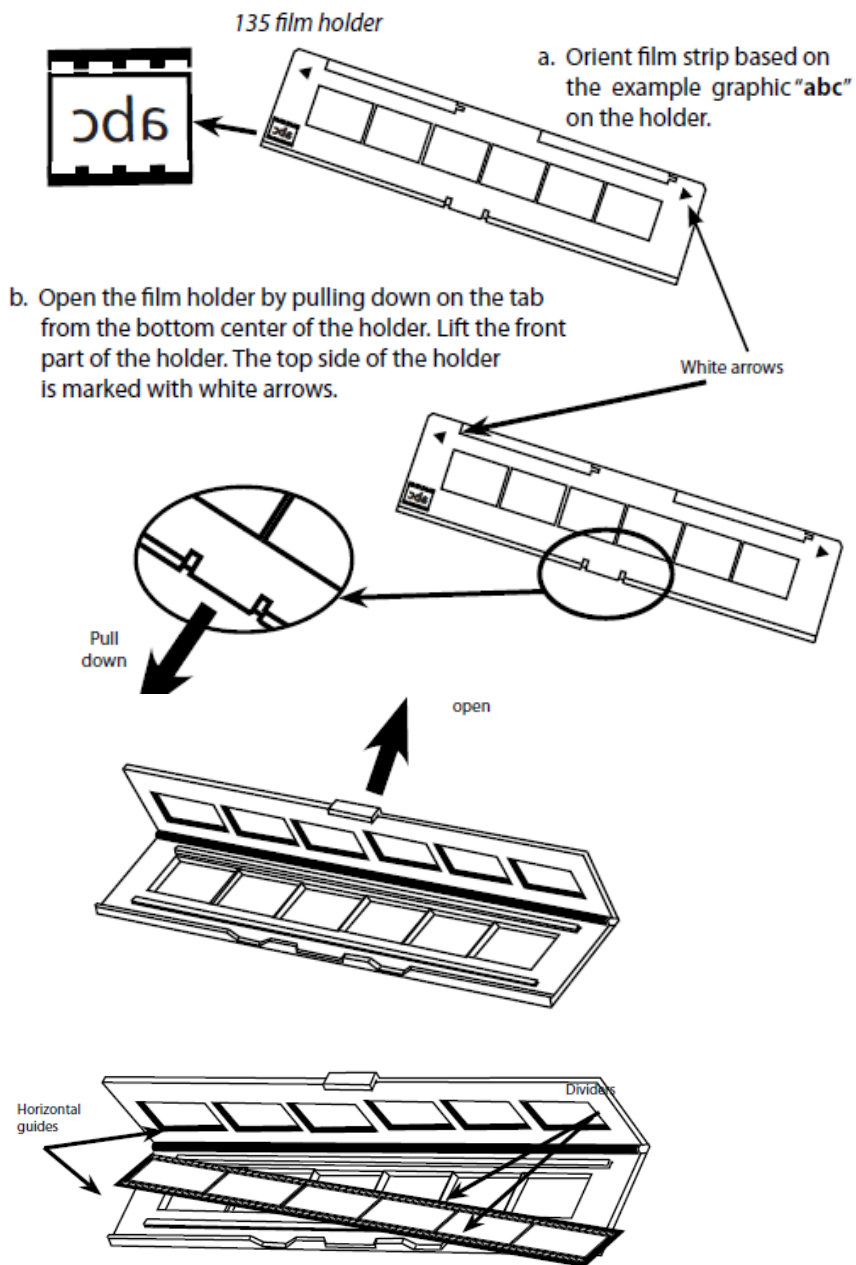
- Insert the holder into the front of the scanner, pushing it in as far as it will go.
- To release the holder, gently pull it out.



Note: Orientation of scanner in the diagrams is from the front of the unit. Take note of the curved edge of the 120 film holder also facing towards the front of the scanner for correct orientation when loading the scanner

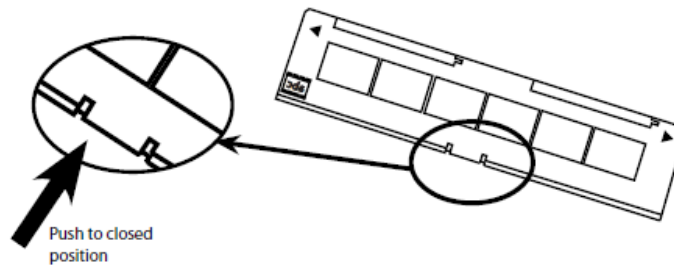


Loading 135 film into the holder



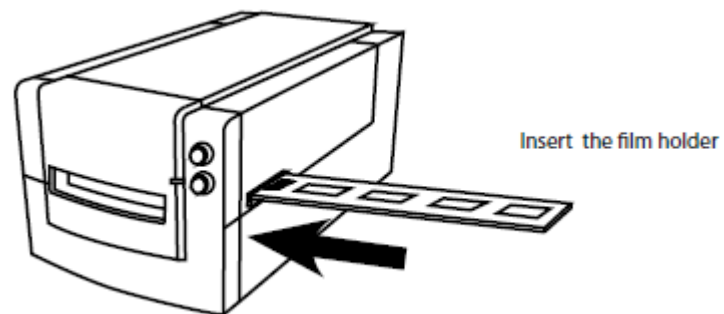
c. Insert the orientated film negative into the holder between the Horizontal guides. Carefully line up the dividers on the film negative with the dividers on the holder.

d. Close the holder and push the tab to the closed position



e. Insert the film holder into the scanner from the left or right side into the small opening. Push the holder inside until you feel it hit a stop, then scan. After the scan is done, push the holder farther into the scanner until it hits another stop, and scan again. Repeat until the end of the holder.

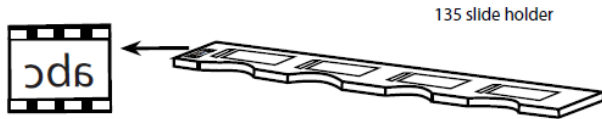
Make sure that the orientation of white arrows on the holder correspond with the triangle mark on the scanner



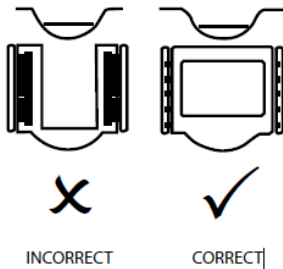
Loading 35mm mounted slides into the holder

1. Push the holder inside until you feel it hit a stop, then scan. After the scan is done, push the holder farther into the scanner until it hits another stop, and scan again. Repeat until the end of the holder.

Make sure that the orientation of arrows on the holder correspond with the triangle (arrow) on the scanner.



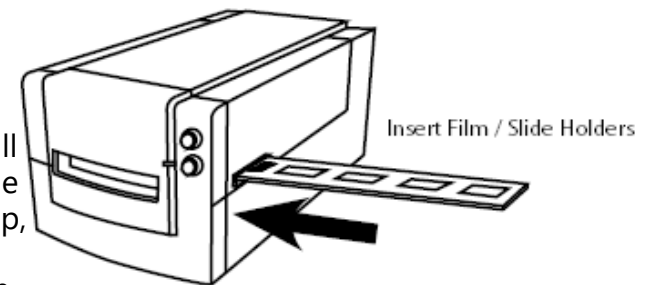
- a. Orient slides based on the example graphic "abc" on the holder.
- b. Insert mounted slides into the holder.



Loading 135 film and slide holder into the scanner

Insert the film holder into the scanner from the left or right side into the small opening. Push the holder inside until you feel it hit a stop, then scan. After the scan is done, push the holder farther into the scanner until it hits another stop, and scan again. Repeat until the end of the holder.

Make sure that the orientation of white arrows on the holder correspond with the triangle mark on the scanner.



2. Set Scan settings and preferences See Page 13



TECHNICAL SUPPORT

CyberView X

For more information on our film scanners, please visit [***Pacific Image Electronics***](#)

For Support and driver updates

[***Driver updates***](#)

[***Q&A***](#)

[***Contact Us***](#)

