



Scan for full manual

## VS-211Xs and VS-411Xs Quick Start Guide

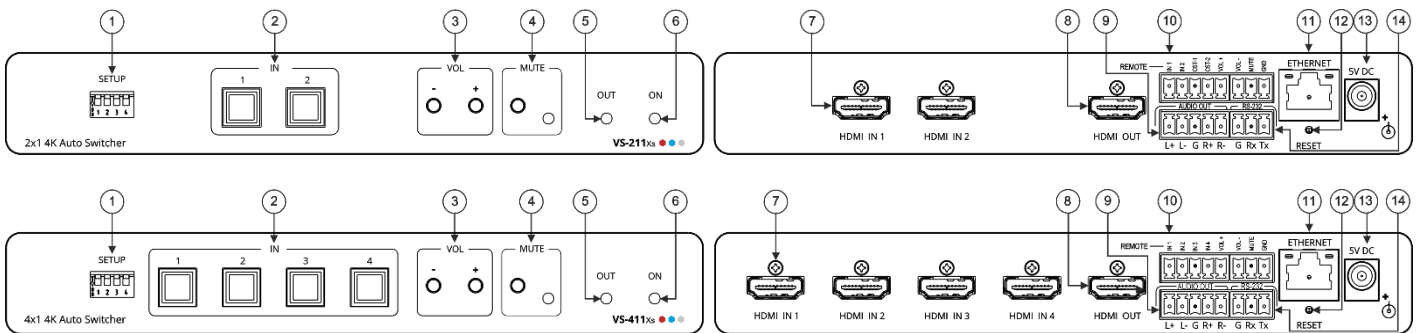
This guide helps you install and use your VS-211Xs / VS-411Xs for the first time.

Go to [www.kramerav.com/downloads/VS-411Xs](http://www.kramerav.com/downloads/VS-411Xs) to download the latest user manual and check if firmware upgrades are available.

### Step 1: Check what's in the box

- ✓ VS-211Xs / VS-411Xs 4K Auto Switcher
  - ✓ 1 Power adaptor and cord
- ✓ 4 Rubber feet
  - ✓ 1 Bracket set
- ✓ 1 Quick start guide

### Step 2: Get to know your VS-211Xs / VS-411Xs



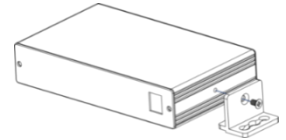
The terms HDMI, HDMI High-Definition Multimedia Interface, and the HDMI Logo are trademarks or registered trademarks of HDMI Licensing Administrator, Inc.

#	Feature	Function	
1	SETUP 4-way DIP-Switches	Set the operation DIP-switches (see <a href="#">Connect the inputs and outputs</a> on page 2).	
2	IN Buttons	Press to select an HDMI input (button lights orange). (2 for VS-211Xs, 4 for VS-411Xs).	
3	VOL Push Buttons	-	Press to decrease audio output volume.
		+	Press to increase audio output volume.
4	MUTE	Push Button	Press to mute the audio output.
		LED	Lights red when audio output is muted.
5	OUT LED	Lights green when an HDMI output is connected.	
6	ON LED	Lights green when the device receives power.	
7	HDMI IN Connectors	Connect to an HDMI source (2 for VS-211Xs, 4 for VS-411Xs).	
8	HDMI OUT Connector	Connect to an HDMI acceptor.	
9	AUDIO OUT 5-pin Terminal Block Connector	Connect to a balanced stereo audio acceptor.	
10	REMOTE Terminal block Connector:	Connect to contact closure switches by momentary contact between the desired pin and common GND pin.	
	VS-211Xs: IN 1, IN 2/ CST-1, CST-2	Select input 1 or input 2 (IN 1 or IN 2), or alternatively activate custom triggers (by momentarily connecting IN 1, IN 2, CST-1 and CST-2 to GND) set up in Maestro. (Configured via the embedded web pages).	
	VS-411Xs: IN 1, IN 2, IN 3, IN 4	Select input 1 to input 4 (IN 1 to IN 2), or alternatively activate custom triggers set up in Maestro. (Configured via the embedded web pages).	
	VOL+, VOL -, MUTE	Set the volume up or down (VOL+/-) and mute the audio output (MUTE).	
11	ETHERNET RJ-45 Connector	Connect to a PC via a LAN to control the device.	
12	RESET Recessed Button	Press briefly to reset the device parameters to their factory default values, <b>excluding</b> ETH parameters. Press and hold (5 seconds) to fully reset the device parameters to their default values, <b>including</b> ETH parameters.	
13	5V DC Power Connector	Connect to the power supply and to the mains electricity.	
14	RS-232 3-pin Terminal Block Connector	Connect to a PC or a remote controller to control the device.	

## Step 3: Install the VS-211Xs and VS-411Xs

Install **VS-411Xs** using one of the following methods:

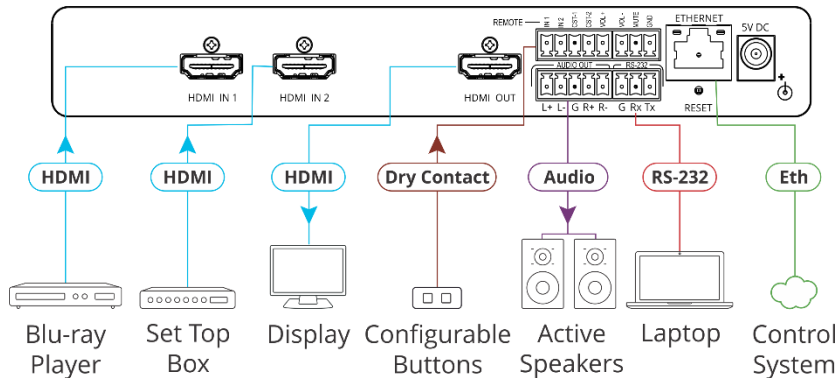
- Attach the rubber feet and place the unit on a flat surface.
- Fasten a bracket (included) on each side of the unit and attach it to a flat surface (see [www.kramerav.com/downloads/VS-411Xs](http://www.kramerav.com/downloads/VS-411Xs)).
- Mount the unit in a rack using the recommended rack adapter (see [www.kramerav.com/product/VS-411Xs](http://www.kramerav.com/product/VS-411Xs)).



- Ensure that the environment (e.g., maximum ambient temperature & air flow) is compatible for the device.
- Avoid uneven mechanical loading.
- Appropriate consideration of equipment nameplate ratings should be used for avoiding overloading of the circuits.
- Reliable earthing of rack-mounted equipment should be maintained.
- Maximum mounting height for the device is 2 meters.

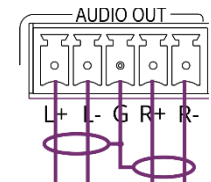
## Step 4: Connect the inputs and outputs

Always switch OFF the power on each device before connecting it to your **VS-211Xs**. For best results, we recommend that you always use Kramer high-performance cables to connect AV equipment to the **VS-211Xs**. **VS-211Xs** and **VS-411Xs** are identical except for the number of inputs.

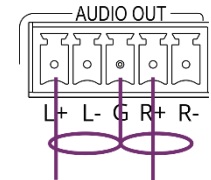


### Connect the Audio Output:

To a balanced stereo audio acceptor:



To an unbalanced stereo audio acceptor:



### Setting the DIP-SWITCHES

All DIP-switches are set to Off (up) by default. DIP-switch changes take effect immediately.

#	Feature	Dip-Switch Settings
1	Switching Mode	OFF (up) – Auto-switching mode. ON (down) – Manual mode.
2	Auto-switching Mode	OFF (up) – Last connected switching mode: the last detected active source is auto-switched to the output. ON (down) – Priority switching mode: the device switches the source with the highest priority to the output.
3	CEC Notifications	OFF (up) – CEC notifications enabled. ON (down) – CEC notifications disabled.
4	Reserved for Factory Use	It is mandatory to keep set to OFF (up).

SETUP



For optimum range and performance use the recommended Kramer cables available at [www.kramerav.com/product/VS-411Xs](http://www.kramerav.com/product/VS-411Xs)

## Step 5: Connect the power

Connect the power adapter and cord to **VS-211Xs** / **VS-411Xs** and plug it into the mains electricity.

Safety Instructions (See [www.kramerav.com](http://www.kramerav.com) for updated safety information).

#### Caution:

- For products with relay terminals and GPIO ports, please refer to the permitted rating for an external connection, located next to the terminal or in the User Manual.
- There are no operator serviceable parts inside the unit.

#### Warning:

- Use only the power cord that is supplied with the unit.
- Disconnect the power and unplug the unit from the wall before installing.

## Step 6: Control VS-411Xs and VS-211Xs

Operate **VS-211Xs** and **VS-411Xs**:

- Remotely, by RS-232 serial commands transmitted by a touch screen system, PC, or other serial controller.
- Embedded web pages via the Ethernet.

RS-232 Control / Protocol 3000			
Baud Rate:	115,200	Parity:	None
Data Bits:	8	Command Format:	ASCII
Stop Bits:	1		
Example: (Switch video input 2 to the output): #ROUTE 1,1,2<CR>			
Default IP Parameters – Set to DHCP On			
Fallback IP Address:	192.168.1.39	UDP Port #:	50000
Fallback Subnet Mask:	255.255.255.0	TCP Port #:	5000
Fallback Gateway:	192.168.1.1	User/Password:	Admin/Admin