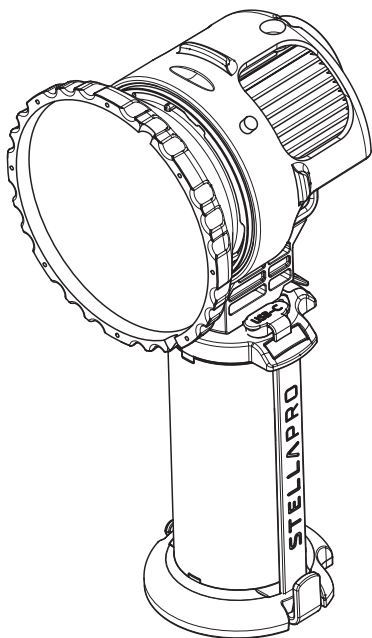


# STELLAPRO<sup>®</sup> reflex

## User Manual



[stellaprolights.com](http://stellaprolights.com)



# Table of Contents

## **Section 1**

Reflex Light

## **Section 2**

Battery Handle

## **Section 3**

Connecting the light to battery handle and powering on

## **Section 5**

OLED display

## **Section 6**

Menu overview

## **Section 7**

Light settings for operation with wireless transmitters

## **Section 8**

Firmware Updates

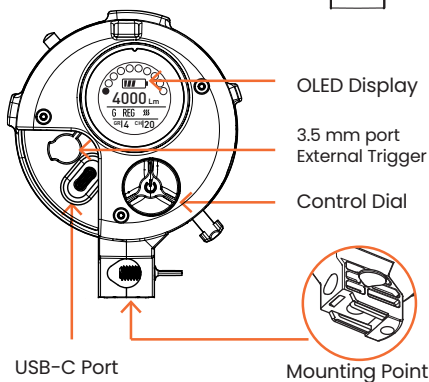
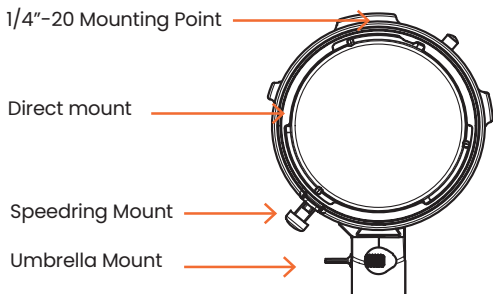
## **Section 9**

Notes on use

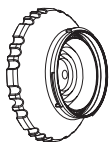
## **Section 10**

Additional Information

## Section 1 REFLEX LIGHT



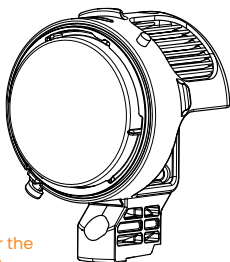
## DIRECT MOUNT



Medium  
Spot Optic

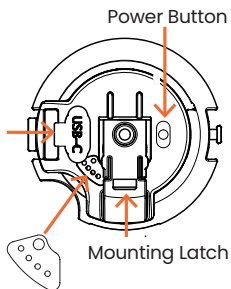
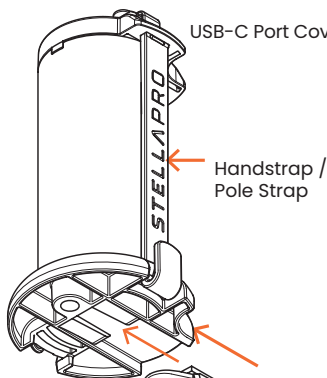


Flat Port  
Cover\*

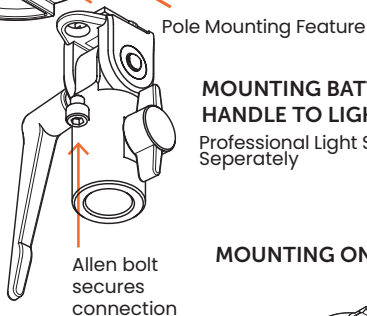


\*Always install a cover or optic over the exposed LED to protect against dust or moisture

## Section 2 BATTERY HANDLE

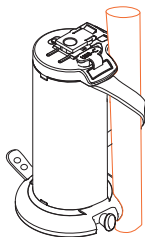
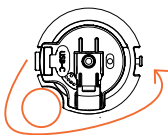


**State of Charge (SOC) LEDs**  
(25%, 50%, 75%, 100%)  
BATTERY INDICATOR LED  
to indicate battery state  
Charging (Green)  
Discharging (Red)

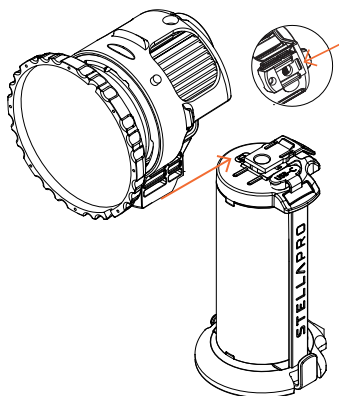


**MOUNTING BATTERY HANDLE TO LIGHT STAND**  
Professional Light Stand Sold Separately

### MOUNTING ON POLE



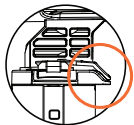
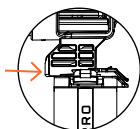
## Section 3 CONNECTING LIGHT TO BATTERY



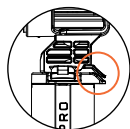
Push light onto battery until it "clicks"

**Tip:** Push from the front top of the optic

Connector tab should no longer be compressed

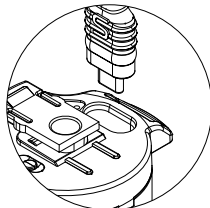
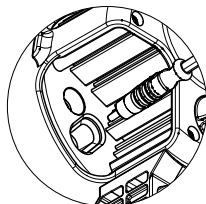


Unlatched



Secured

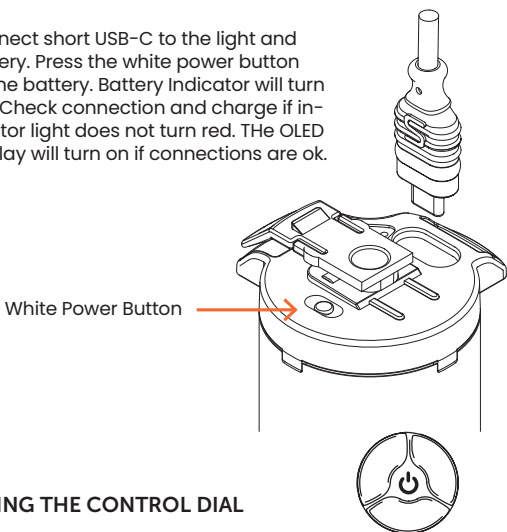
Connect USB-C cord to Reflex light and battery USB-C ports



## Section 4

### OPERATION BASICS

Connect short USB-C to the light and battery. Press the white power button on the battery. Battery Indicator will turn red. Check connection and charge if indicator light does not turn red. THE OLED display will turn on if connections are ok.

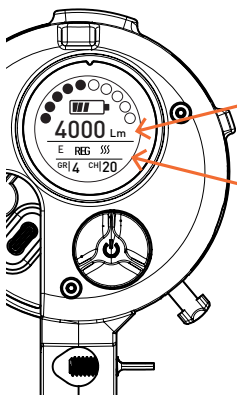


#### USING THE CONTROL DIAL

- **A Short press (1 sec)** switches between Continuous and Digital Burst\* (When in settings menu advances through sub-menu)
- **A Medium press (2 sec)** enters and exits the the Reflex menu
- **Long press (4 sec)** to enter sleep mode (Unplug to turn off power)
- **Rotate Clockwise** to increase output (Or change menu setting)
- **Rotate Counter-clockwise** to decrease output (Or change menu setting)

\*Transmitter is required for burst operation

## Section 5 OLED DISPLAY



<b>Lm</b>	100-6000 Lumens
<b>Stops</b>	1.0-4.4 Stops*
<b>S</b>	1/160-1/2500 Second
<b>SSS/L</b>	<b>LED Overheating</b> (Turn off to cool down)
<b>SSS/B</b>	<b>Battery Overheating</b> (Turn off to cool down)
<b>SSS/!</b>	<b>Sensor Fault</b> (Return for service)

## Section 6 MENU OVERVIEW

To navigate the menu, short press dial to advance the sub-menu. Rotate dial to change the setting.

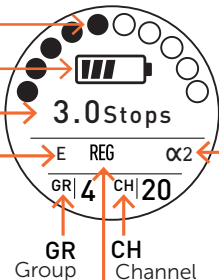
Power Level Indicators

Battery Level

Continuous/Burst Power

Wireless Modes

Godox,  
Elinchrom,  
Bluetooth,  
- Radio Off



## Burst Modes

**REG**

**REGULAR**

Control the lumen output with a set burst duration of 5 milliseconds



**DURATION**

Control the burst duration with a set lumen output of 12000 lumens

\* With 100W Power Supply lumens to 9000 and Digital Burst to 5-stops

# Burst Modes

**REG**

REGULAR

5ms Burst

Adjustable Power

Use this mode to:

- Shoot at any shutter speed (including HSS)
- Freeze action with the shutter
- Maximize amount of light on subject



**DURATION** \*\*

Adjustable Duration (0.4ms - 6ms)

12000 Lumens\*\*\*

Use this mode to:

- Shoot at the camera's X-Sync shutter speed or longer (no HSS)
- Freeze action with light
- In low light situations

\*\*Duration Mode only available on the Reflex S

\*\*\*18000 Lumens when using 100W USB-C PD

# αLink Mode

Only exact at shutter speeds faster than 1/200

**α1**

Burst power matches continuous power

Optimize your settings in constant mode and, with Link set to α1, Digital Burst will duplicate Continuous Power level.

**α2**

Burst power delivers one stop more light than set continuous power setting

Preset your camera to anticipate one more stop of light by underexposing one stop of light.

## Section 7

### CHANGING LIGHT SETTINGS

Enter and exit the menu by pressing the control dial for 2 sec



**Menu selection:** Short press to advance through sub-menus



**REG**



**Burst Mode** - Rotate dial to select Burst Mode: Reg or Duration (Duration mode only available on Reflex S)



α1  
α2

**Proportional ( $\alpha$ ) Link** - Rotate dial to cycle through link modes. When active Reflex will strobe **n times** brighter than current continuous light.

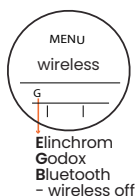


E (1-4) (1-20)  
G(A-F) (1-32)

**Group & Channel** - Rotate dial to select group and channel



**Rotation** - Rotate dial to change display orientation (4 directions) - for mounting Reflex horizontal or upside down.



**Wireless** - Rotate dial to select transmitter type (Elinchrom, Godox, Bluetooth, Wireless OFF) Set Wireless mode to Bluetooth to perform firmware updates.

## Section 8

### UPDATING REFLEX FIRMWARE

1. Download the StellaPro Imaging Control Application
2. Set Reflex Wireless Mode to Bluetooth
3. Exit Reflex Menu
4. Scan for devices in App
5. Connect To Device
6. Enter Serial Number
7. Initiate Firmware Update

## Section 9

### HOW TO USE REFLEX

There are 3 distinct mode; Continuous, Burst, and Continuous interrupted by Burst upon triggering.

#### 1. **Continuous**

- Rotate dial to desired power output in lumens.
- Your trigger may also allow remote adjustment of continuous power.
- Maximum power from the battery handle is 6000 lumens.
- Maximum power from a 100W USB-C source is 9000 lumens.

#### 2. **Digital Burst**

- When set to **REG**, rotate the dial to set burst power. Maximum burst power is 1 stop more light than maximum continuous mode.
- In Duration mode (⌚), rotate the dial to set duration from 0.4ms (1/2500 sec) to 6ms (1/160th sec).

#### 3. **Continuous** light that **Bursts** upon triggering

- Sync Reflex with trigger (same as Digital Burst Mode)
- Set Constantlight (using dial or trigger)
- Set Burst power with trigger. Trigger signal will cause the light to deliver Burst power.
- Set your exposure to -1 when link is set to **α2**. When shutter opens Reflex will deliver extra stop of light.

## Battery Runtime

### Continuous

Full Power: 30 minutes

Low Power: 600 minutes

### Digital Burst

15,000 full power Digital Bursts

### Charge Time: 2 hours\*

\* With a minimum 45W USB-C Charger

### Reflex Battery Handle 60W

Continuous: 100-6000 lumens

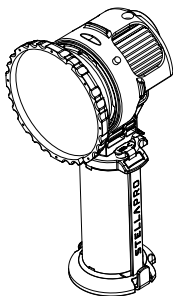
Digital Burst: 1125-12000 lumens

### External USB-C PD 100W\*\*

Continuous: 100-9000 lumens

Digital Burst: 1125-18000 lumens

\*\* Not Included



### For Travel

To turn off Battery, unplug from light.

Have at least 30% Battery when in storage.

### Fully charge battery before first use

Charge your battery for 6 hours before first use. Periodically, check the charge of the battery during storage. Fully charge your battery before use. The battery has internal protections that ensure the battery is safely maintained regardless of charge state.

### Temperature Warning:

While in full power continuous mode use the battery may get noticeably warm. This is normal. Should the temperature increase beyond safe levels the overheat symbol will appear and operation will pause until battery cools down.

### **Direct Mount Accessories**

Spot Optic 12°	805-0372
Medium Optic 24°	805-0373
Medium Wide Optic 36°	805-0406
Flat Port Cover	800-0340
Dome Diffuser	800-0335
50° Optic	800-0337

### **Speedrings**

Chimera	800-0382
Profoto	800-0400
Bowens	800-0371

### **Mounts**

Pro Light Stand Mount	800-0381
Bar Mount	800-0401

### **Other Accessories**

Barn Door/Gel holder	800-0383
3 CTO Set (Full, 1/2, 1/4) -82mm Glass	800-0385
Remote Control	800-0325
1/4-20 Mount Base Receiver	800-0402
Cold Shoe Mount Kit	800-0403

### **Power Supplies**

100W USB-C AC Power Supply	552-9614
----------------------------	----------

## Wireless Connectivity

Menu options allow you to choose between Godox and Elinchrom wireless protocols. Transmitters supported with limited capabilities.

	Elinchrom	Godox
Burst Power Control	Yes	Yes
Continuous Power Control	Yes	No
Continuous (on/off)	Yes	Yes
Camera Trigger	Yes	Yes

Plug in any 3.5mm receiver to the sync port to operate with external receivers

## OPERATIONS SPECIFICATIONS



### Reflex auto fan operation

Integrated variable speed fan automatically turns on when light output exceeds 4000 lumens.

Low Speed (4100-6000), High Speed (6100-9000).



### Operating from external power

Reflex will deliver 9000 lumens (18,000 lumens in burst) when connected to 100W or greater external power source.

# Download StellaPro Imaging Control (iOS & Android)



## Registering for a StellaPro Account

Register for a StellaPro account to get access to the latest firmware updates along with tips and tricks from our Ambassadors and community members.

## Firmware update

Please make sure to update your Reflex to the latest firmware to ensure the Reflex is operating to its full capabilities. Update performed from the StellaPro Imaging Control app (iOS) Make sure to exit menu to discover Reflex device.

## Warranty

StellaPro products are covered against defects in workmanship and materials under normal use and service for 2 years from the date of purchase. Please register your device (Reflex only) to activate warranty coverage. Batteries, by nature of their use, are covered for 180 days.

Warranty is non-transferable and does not cover failures from misuse. We will repair or replace, at our discretion, any product that is found to be defective under our warranty policy. Verification of purchase date must be provided with any claim.

## Storage & Travel

Never store the batteries fully discharged as this may cause permanent damage. Unplug from battery when traveling.

## Regulatory Information



IP65



UN 38.3  
COMPLIANT

Light & Motion Industries,  
711 Neeson Road, Marina, CA, USA

## General Performance with given USB-C Supply Power Rating

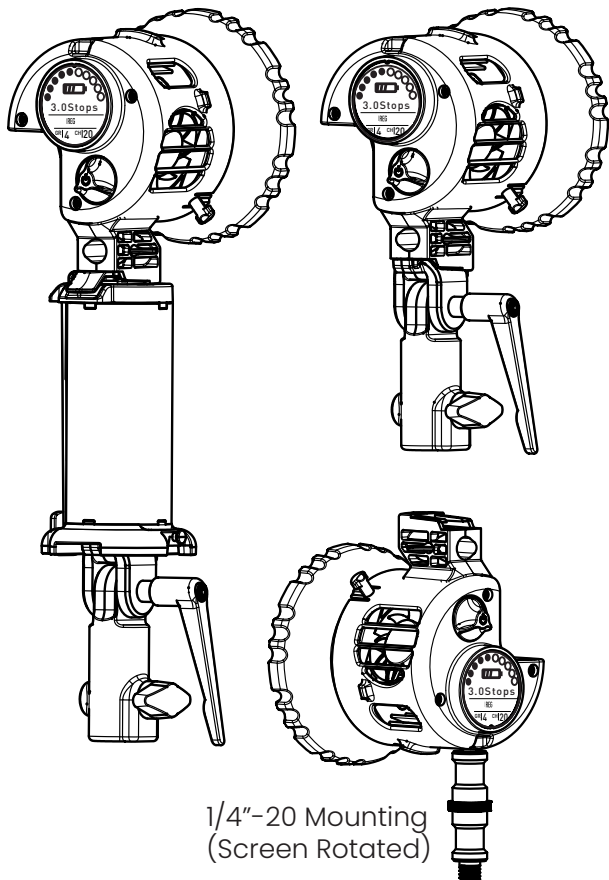
USB-C Power Supply	< = 15W	25W	45W	65W	100W
Reflex Lighththead	Not Recommended	Not Recommended	4,000 Lumens, Burst 8000 Lumens	6,000 Lumens, Burst 12,000 Lumens	9,000 Lumens, Burst 18,000 Lumens
Reflex 38Wh Battery	6-10Hr charge time	4Hr charge time	2Hr charge time	2Hr charge time	2Hr charge time

Find our Recommended Power Supplies at [lightandmotion.com/pages/reflex-recommended-power-supplies](http://lightandmotion.com/pages/reflex-recommended-power-supplies)

## Reflex Mounting Options

Professional Light Stand

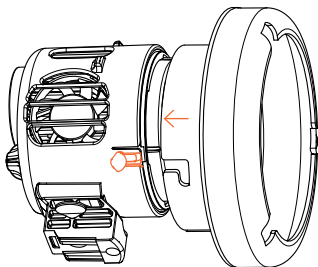
800-0381



1/4"-20 Mounting  
(Screen Rotated)

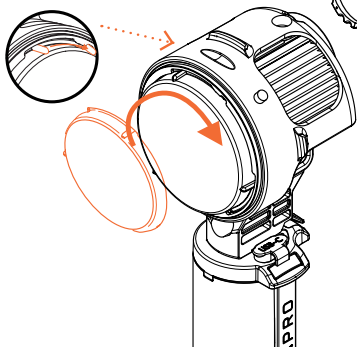
## Speedring Mount

Mount softboxes for  
Chimera, Profoto,  
Bowens using a  
StellaPro Speedring

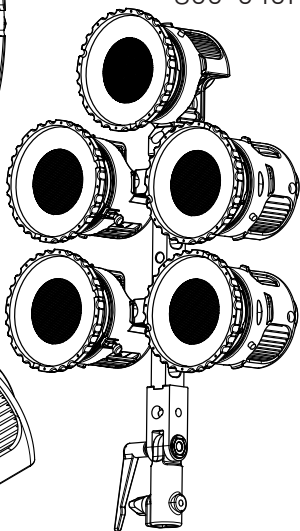


## Direct Mount

Direct Mount modifiers  
require a press-in and clock-  
wise turn to lock. Always op-  
erate the Reflex with a Direct  
Mount modifier installed.



Reflex Bar  
(Mount 1 to 5 lights)  
800-0401





**STELLAPRO<sup>®</sup>**

**#FlexYourReflex**

 **@stellaprolights**

Contact [seva@lightandmotion.com](mailto:seva@lightandmotion.com) for support.

905-0487-A-02