

NANLUX

Evoked 5000B *LED Bi-color Spot Light*

USER MANUAL

Version: V1.5
2025-05-12

Revision History

Version	Date (Y-M-D)	Note
V1.0	2025-02-12	File First Publish
V1.1	2025-02-18	Minor adjustments
V1.2	2025-02-24	Add the instruction for connecting the AC aviation plug with the AC cable.
V1.3	2025-03-01	Add the instruction of EXT port firmware update.
V1.4	2025-04-23	Modify the CRMX control instructions.
V1.5	2025-05-12	Safety Instructions Update

Contents

1. Introduction	1
2. Product Overview	2
2.1. Product Layout	2
2.2. Specifications	5
2.3. Includes	6
3. Safety Instructions	7
4. Installing Instructions	10
4.1. Connecting the AC Aviation Plug with the AC Cable	10
4.2. Connecting the Fixture with the Power Outlet	10
4.3. Installing and Detaching the Yoke	11
4.4. Balance Adjustment	13
4.5. Installing and Detaching the Reflector	14
4.6. Installing and Detaching the Magnetic Base	16
4.7. Connecting the WC-EXT Wired Controller	17
5. Operating Instructions	19
5.1. Lighting Mode Control	19
5.1.1. Control Panel Control	19
5.1.2. DMX Control	20
5.1.3. NANLINK APP Control-via Bluetooth	22
5.1.4. NANLINK APP Control-via 2.4G	22
5.1.5. Remote Controller Control	23
5.1.6. CRMX Control	24
5.1.7. Art-Net&sACN Control	26
5.2. Menu	28
5.2.1. Menu Overview	28
5.2.2. Menu Operation	30
5.2.3. Others	30
5.3. Preset	32
5.3.1. Save Preset	33
5.3.2. Apply Preset	33
5.3.3. Manage Preset	34
5.4. Lock	34
5.5. NFC Function	35
6. Troubleshooting for Common Issues	35

1. Introduction

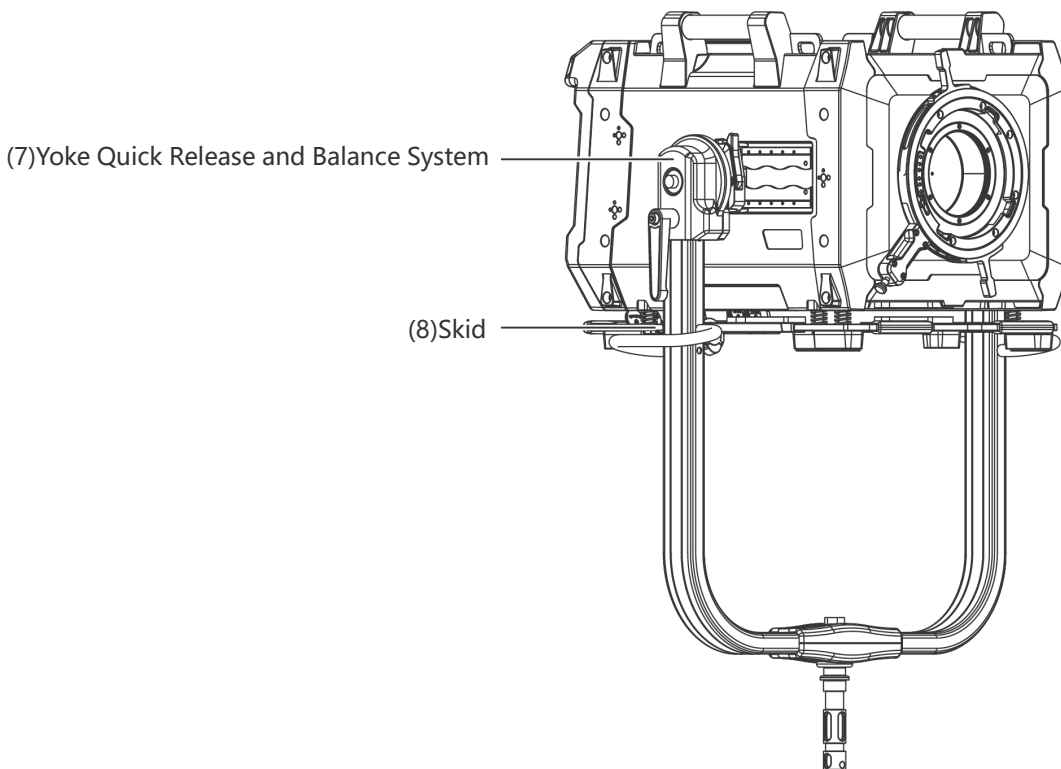
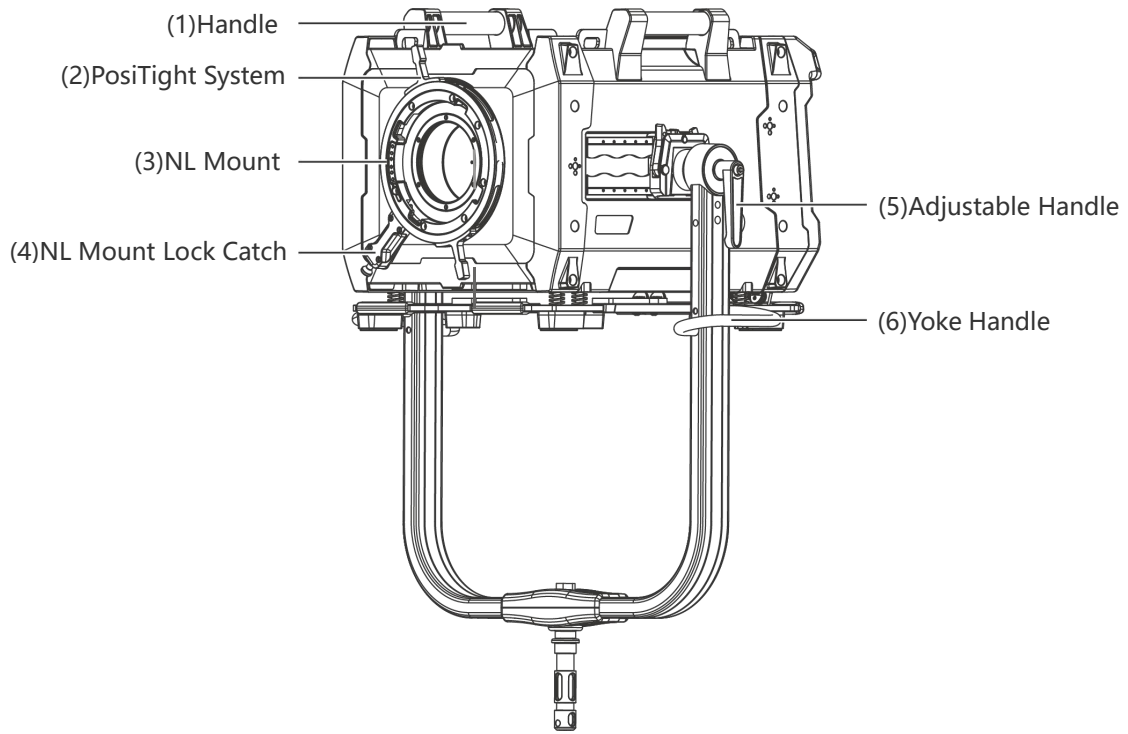
Thank you for purchasing the Nanlux product -- Evoke 5000B!

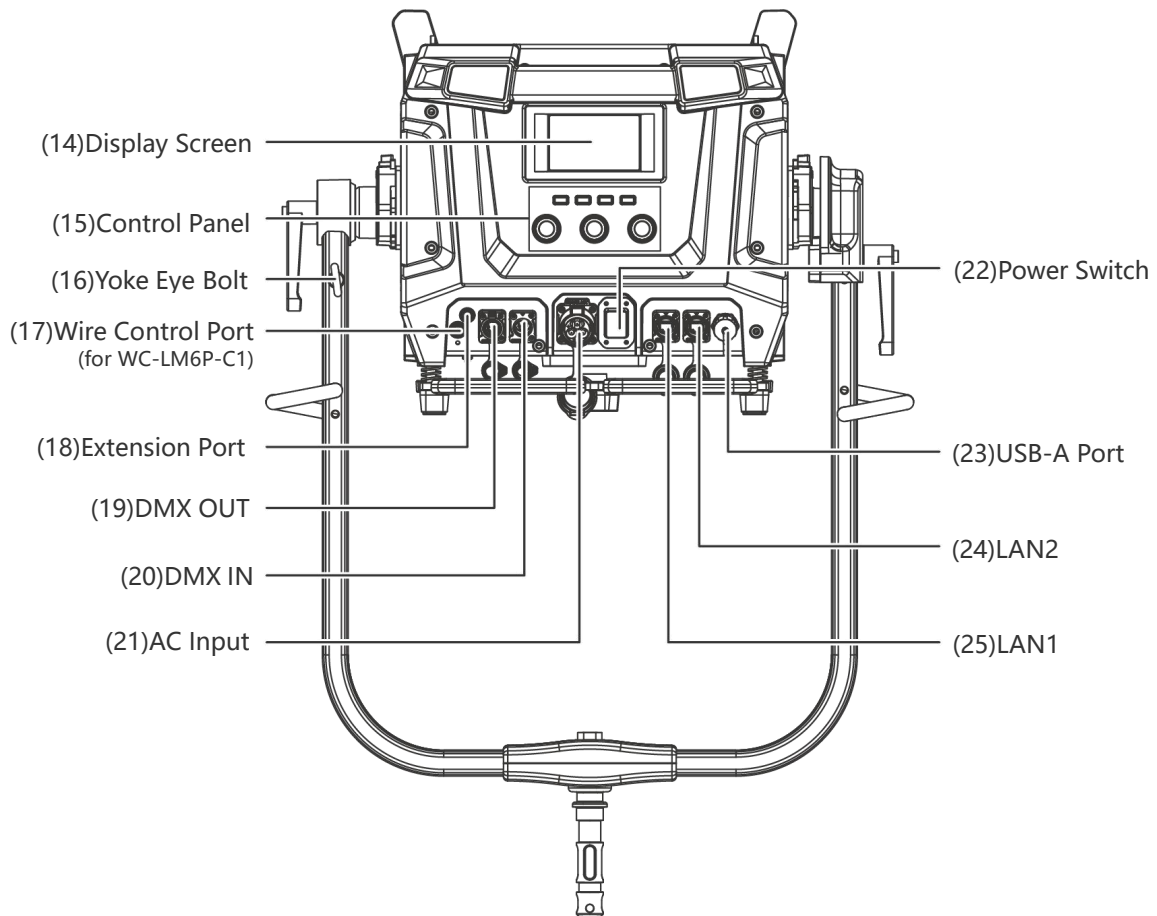
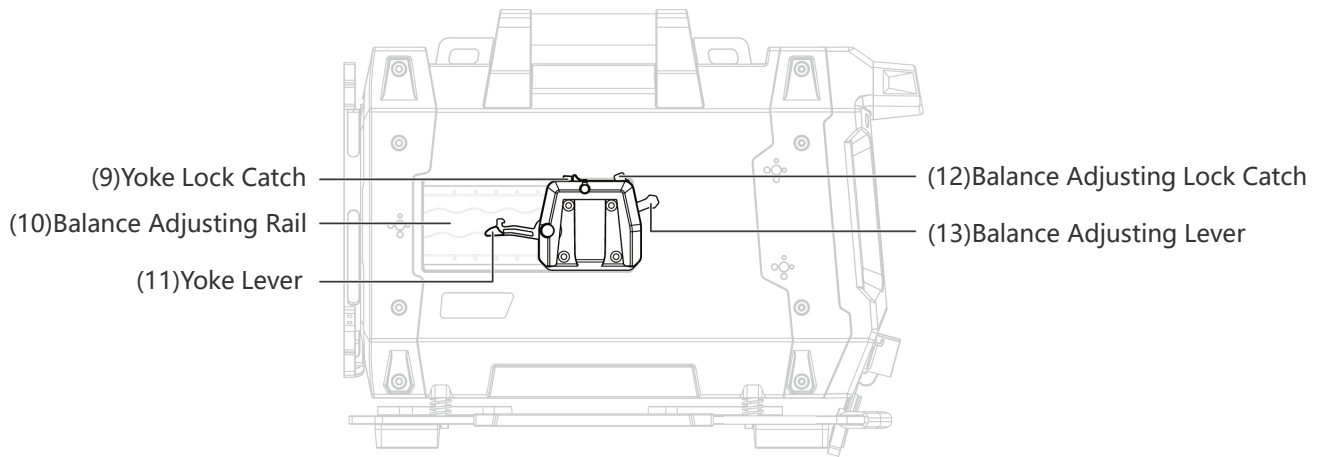
The Evoke 5000B is a bi-color spot light with a rated power of 5000W, a color temperature range of 2700K to 6500K, and a ± 80 adjustment for green/magenta. It offers 12 lighting effects, making it suitable for various scenes and atmospheres. The IP66-rated light fixture ensures it tackles different harsh environments with ease. Featuring an NL mount, it is compatible with a wide range of accessories, providing more flexibility for light shaping. It supports comprehensive control methods, including on-board, wired controller, remote controller, Nanlink App, DMX/RDM, CRMX, and Art-Net/sACN.

The Evoke 5000B will bring great convenience to your creation and inspire boundless creativity. Before using Evoke 5000B, please read this manual carefully to ensure you can fully utilize all the features. Hope it can work with you to create even more brilliant results together.

2. Product Overview

2.1. Product Layout



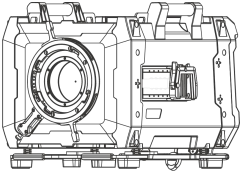
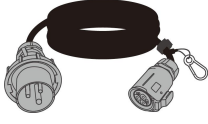

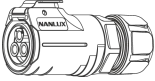
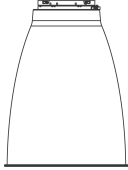
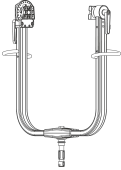
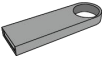
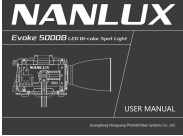
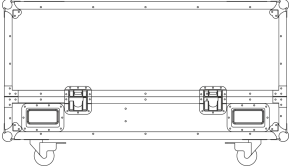
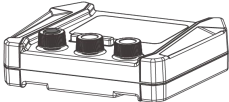
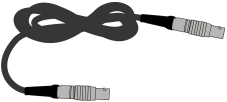
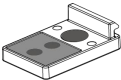




- (1) Handle: For easily moving the fixture.
- (2) PosiTight System: For further tightening the reflector or other accessories.
- (3) NL mount: For installing the reflector or other NL mount accessories.
- (4) Lock catch: For locking or releasing the reflector or other accessories. Note: Please pull in the direction indicated on it.
- (5) Adjustable Handle: For fixing the tilt angle of the fixture, locking the disc brake, and providing positioning damping.
- (6) Yoke Handle: For easily lifting the fixture during installation.
- (7) Yoke Quick Release and Balance System: For mounting the fixture to the yoke and maintaining the balance.
- (8) Skid: For easily moving the fixture and providing shock protection.
- (9) Yoke Lock Catch: For locking and unlocking the yoke lever.
- (10) Balance Adjusting Rail: For adjust the center of gravity balance of the fixture on the yoke.
- (11) Yoke Lever: For locking and unlocking the quick release plate.
- (12) Balance Adjusting Lock Catch: For locking and unlocking the balance adjusting lever.
- (13) Balance Adjusting Lever: For locking and unlocking the quick release and balance base plate.
- (14) Display Screen: For displaying the lighting status and settings.
- (15) Control Panel: Includes four buttons and three knobs, for operating various functions.
- (16) Yoke Eye Bolt: For attaching the snap hook of the AC cable.
- (17) Wire Control Port: For connecting the wired controller (WC-LM6P-C1).
- (18) Extension Port: For connecting the WC-EXT wired controller or other accessories.
- (19) DMX OUT: For DMX signal output.
- (20) DMX IN: For DMX signal input.
- (21) AC Input: For connecting the AC cable.
- (22) Power Switch: For turning on/off the fixture.
- (23) USB-A Port: For updating the firmware.
- (24) LAN 2: Network connecting port.
- (25) LAN 1: Network connecting port.

2.2. Specifications

Model Name	Evoke 5000B
Rated Power	5000W (200V-240V) 5200W (100V-125V)
Input Voltage/Current	AC100V-240V/52A(Max) 50/60Hz
LED Light Engine	Nebula B4 Light Engine: CW+, CW-, WW+, WW-
CCT	2700K → 6500K(G/M±80)
CRI	Average 97
TLCI	Average 98
TM-30 Rf	Average 96
TM-30 Rg	Average 102
Dimming	0.0%-100.0%, by 0.1% increment
IP Rating	IP66
Control	On-board, Wired Controller, Remote Controller, NANLINK APP, DMX/RDM, CRMX, Art-Net/sACN
Special Effects	CCT Loop, INT Loop, Flash, Pulse, Storm, TV, Paparazzi, Candle/Fire, Bad Bulb, Firework, Explosion and Welding

2.3. Includes

Evoke 5000B × 1	AC Cable × 1 (two options, varies by voltage standards)			
	 200V-240V countries/regions	 100V-125V countries/regions		
AC Aviation Plug × 1	Reflector × 1	Yoke × 1		
				
USB Flash Drive × 1	User Manual × 1	CC-EV5000-FT Flight Case × 1 (only for Evoke 5000B KIT)		
				
Wired Controller Package				
WC-EXT Wired Controller × 1	Connection Cable × 1	AS-MB-1 Magnetic Base × 1	User Manual × 1	Carrying Bag × 1
				

3. Safety Instructions

Please read and understand all safety instructions before installing or operating the fixture. Always follow the instructions to avoid personal injury and fixture damage. Retain all safety and operating instructions for future reference.

Electrical:



Danger

Please ensure that the AC current, voltage and frequency comply with the fixture requirements, and make sure the fixture is properly grounded when connected.



Danger

Please use proper and undamaged cables to connect the fixture correctly, avoiding the risk of electric shock or fixture damage.



Danger

Please disconnect the power before moving or transporting the fixture.

Installation:



Danger

Please carefully read the manual and follow the instructions to install the fixture to avoid any unnecessary incidents.



Danger

Please use light stands or clamps that meet the load-bearing requirements to ensure the fixture's safety and stability when installing the fixture.



Danger

Please secure the fixture with a safety cable that can support at least 10 times the fixture's weight for overhead installation.



Caution

Please wear appropriate protective gloves when installing or removing the fixture or accessory with high-temperature surfaces.



Caution

Please pay special attention to the impact of wind and take appropriate reinforcement measures when installing outdoors.



Caution

When installing or detaching heavy accessories or adjusting the direction of the fixture, please hold the handle firmly to prevent accidental tilt down. Keep your hands away from the gap between the yoke and the fixture to avoid hand injuries.

Operation:



Danger

Please stop using the fixture immediately if the fixture housings or cables show visible damage.



Danger

Please do not use the fixture near flammable or explosive materials.



Danger

Please do not turn on the fixture with a modifier mounted and place it face down on flammable materials, as this may cause burns or fire hazards.



Danger

Please be cautious, as the flashing effect may trigger seizures.



Danger

The Evoke 5000B fixture is rated IP66, providing complete protection against dust and resistance to water jets from all directions, including continuous exposure to heavy rain and washing with high-pressure water jets. However, please do not submerge the fixture in water to avoid personal injury or fixture damage.



Danger

Please keep the fixture away from corrosive liquids or high-pressure steam.



Caution

Please ensure the fixture is used in an environment between -20°C and 45°C; operating outside this temperature range may damage the fixture.



Caution

Please do not cover the ventilation openings during use to prevent the fixture from overheating.



Caution

Please do not look directly at the light source without wearing protective glasses, as this may cause irreversible eye injury.



Caution

Please remind the crew to avoid eye injury caused by accidentally looking directly at the light source before the fixture lights up.

Maintenance:



Danger

Please do not disassemble or repair any part of the fixture on your own, as this will void the warranty. Maintenance and repair work should be carried out by an authorized service center and professional personnel.



Danger

Please disconnect the power before starting any maintenance work.



Caution

Please ensure the fixture is completely dry before transportation or storage after using it in a humid environment.



Notice

Please ensure the fixture is stored away from the following environments or items: extreme temperatures, direct sunlight, high humidity, intense vibrations, dust, strong magnetic fields, and flammable or explosive materials.



Notice

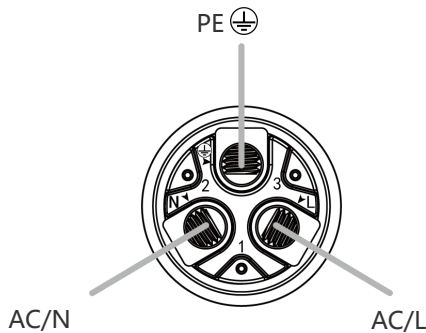
Please transport the fixture and accessories in suitable case to avoid damage.

4. Installing Instructions

4.1. Connecting the AC Aviation Plug with the AC Cable

Insert the live wire, neutral wire, and ground wire from the AC cable into the corresponding holes of the AC aviation plug based on the labels.

▲Note: This AC aviation plug is used for this fixture only.



100V-125V:

AC/L (black)

AC/N (white)

PE ⊕ (green)

200V-240V:

AC/L (brown)

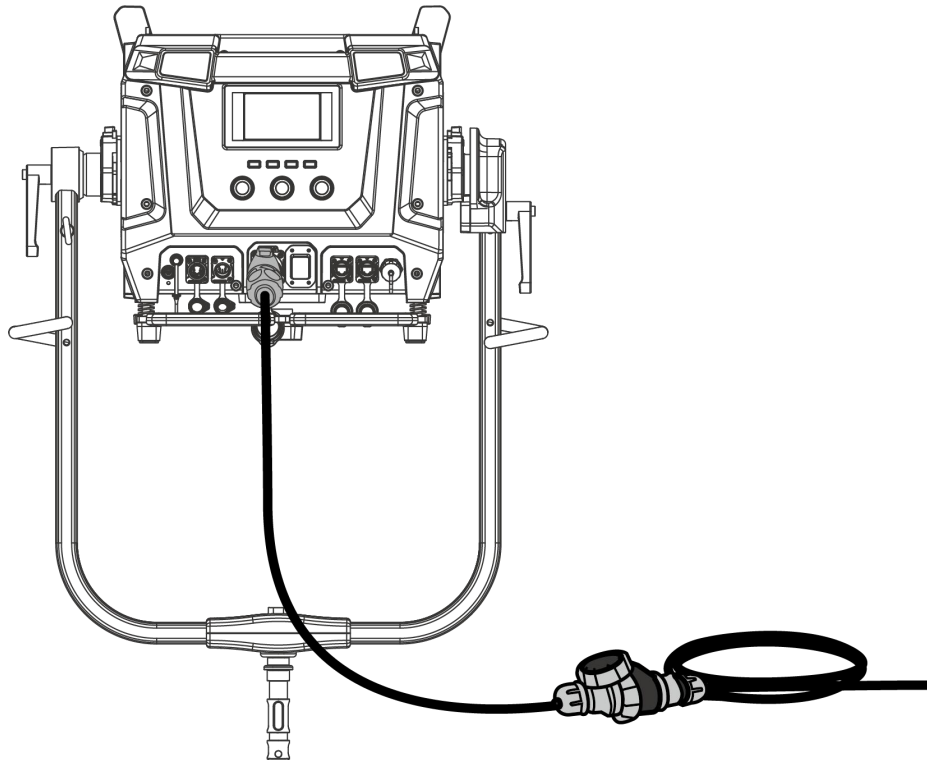
AC/N (blue)

PE ⊕ (yellow & green)

4.2. Connecting the Fixture with the Power Outlet

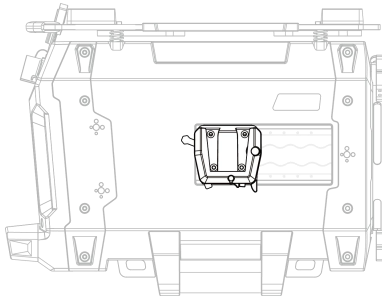
To power the fixture with AC power, please ensure the power switch is turned off, and connect the AC cable as shown above.

▲Note: If the fixture needs to be mounted on the yoke, it should be installed first before connecting the power.

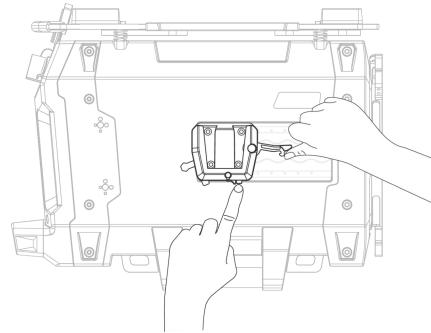


4.3. Installing and Detaching the Yoke

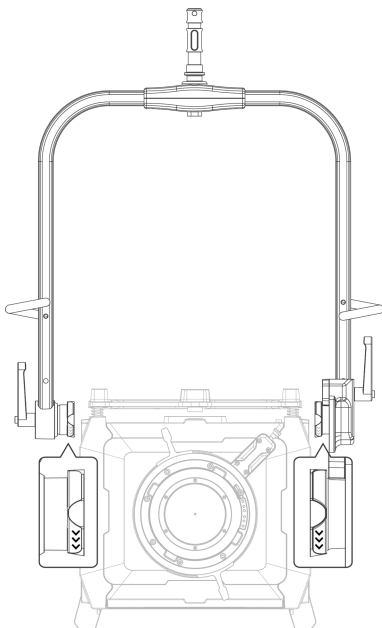
Installation:



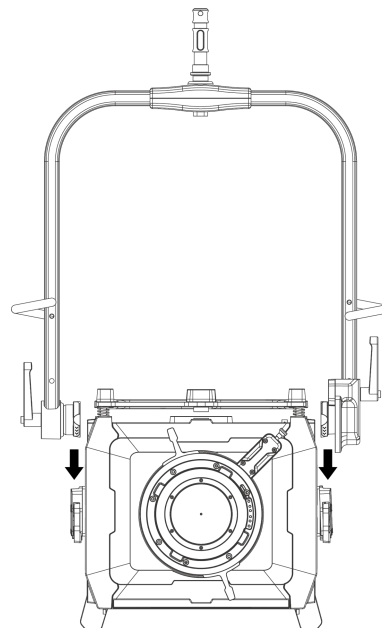
(1) Place the fixture on a flat surface with its bottom facing up. Move the fixture's quick release and balance base plates on both sides to the last position of the balance adjusting rail (the position closest to the rear of the fixture) and lock them in place. (For instructions on operating the quick release and balance base plate, please refer to section 4.4: Balance Adjustment.)



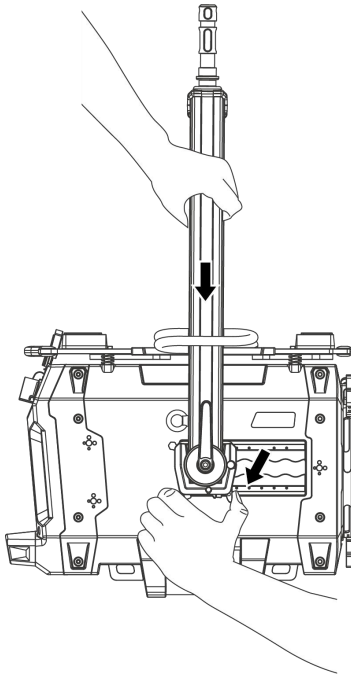
(2) Press the quick release lever lock catch and push it aside to release.



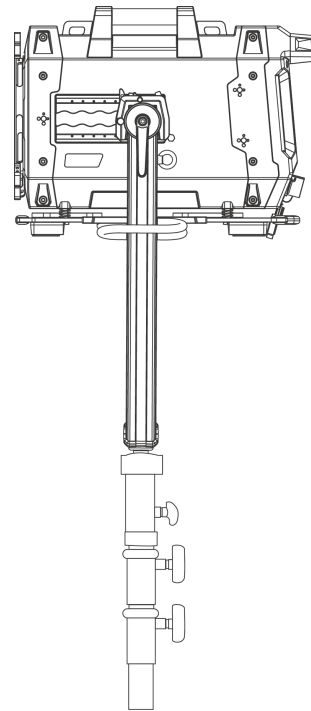
(3) Adjust the quick release plates on both sides of the yoke to make the arrows point downward, and ensure that the angles of both plates are the same.



(4) Align and insert the quick release plates on both sides of yoke into the fixture's quick release and balance base plate.

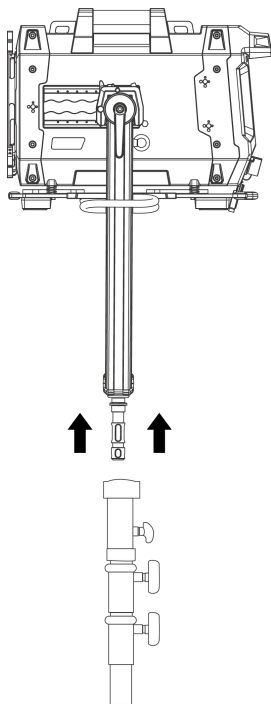


(5) Firmly hold the yoke in place with one hand, and pull the quick release lever with the other hand to lock the plate in place.

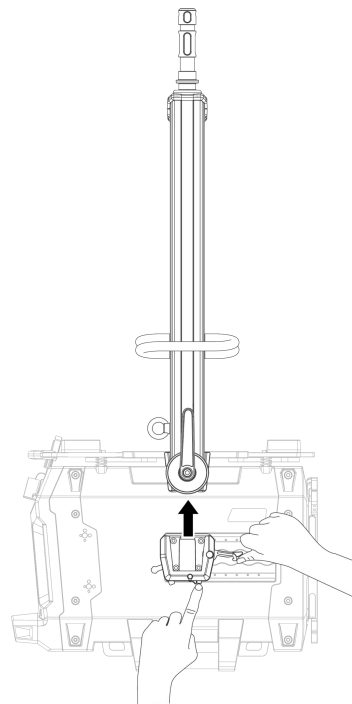


(6) Mount the fixture on heavy-duty light stand and tighten the knob on the light stand.

Detachment:



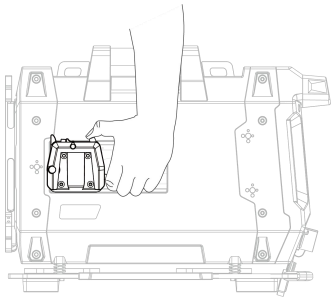
(1) To detach the yoke, first remove the fixture from the heavy-duty light stand and place it on a flat ground with the bottom facing up.



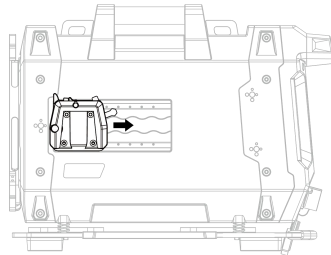
(2) Press the quick release lever lock catches on both sides and push them aside to release, then remove the yoke.

4.4. Balance Adjustment

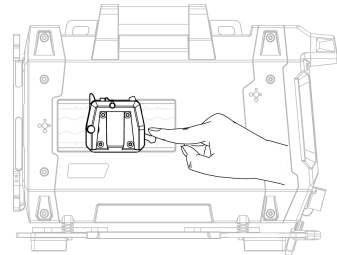
Method 1: (without being mounted on the yoke)



(1) Place the fixture on a flat surface, press the balance lever lock catches on both sides, and push the balance levers on both sides to release.

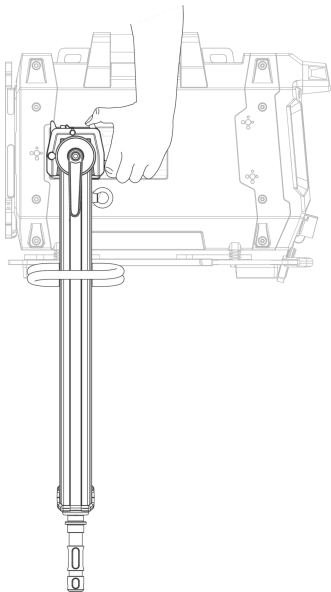


(2) Move the quick release and balance base plates on both sides to the appropriate position.

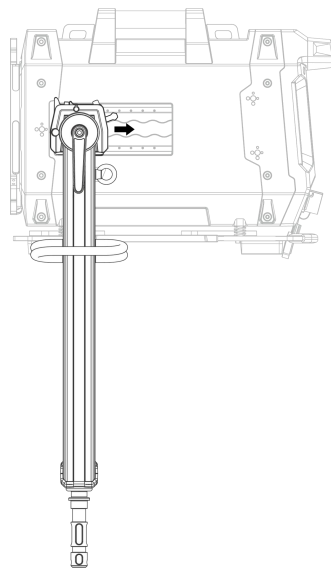


(3) Press down the balance levers on both sides to lock them, mount the fixture onto the yoke, and then attach the accessory to the fixture. (Before attaching the accessory, make sure to hold the fixture securely to prevent imbalance.)

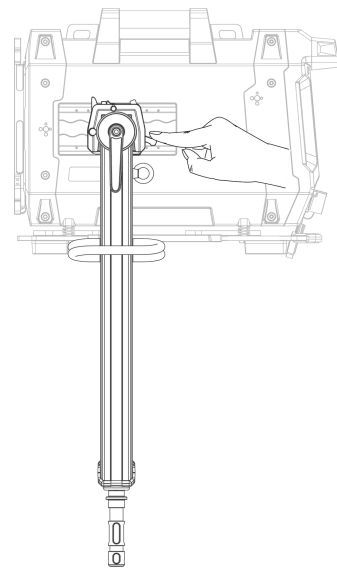
Method 2: (mounted on the yoke)



(1) Press the balance lever lock catches on both sides of the fixture, and push the balance levers on both sides to release.



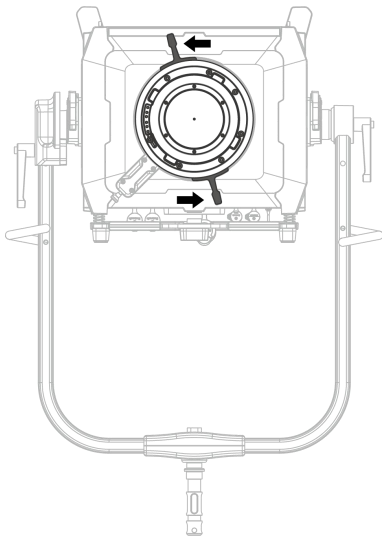
(2) Move the fixture along the yoke until the quick release and balance base plates reach the appropriate position.



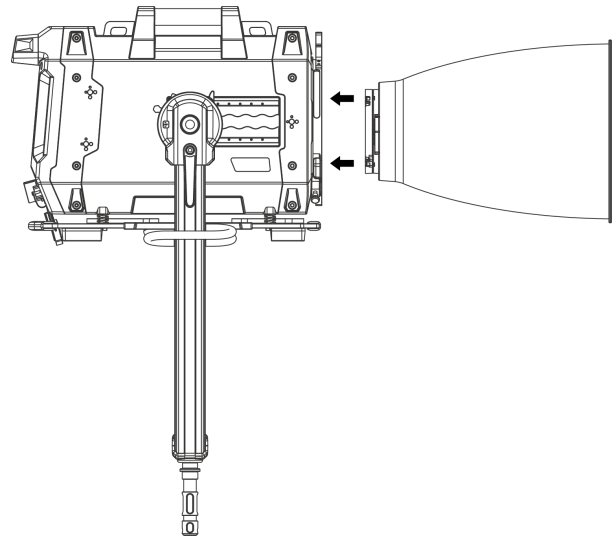
(3) Press down the balance levers on both sides to lock them, and then attach the accessory to the fixture. (Before attaching the accessory, ensure the fixture is held securely to prevent imbalance.)

4.5. Installing and Detaching the Reflector

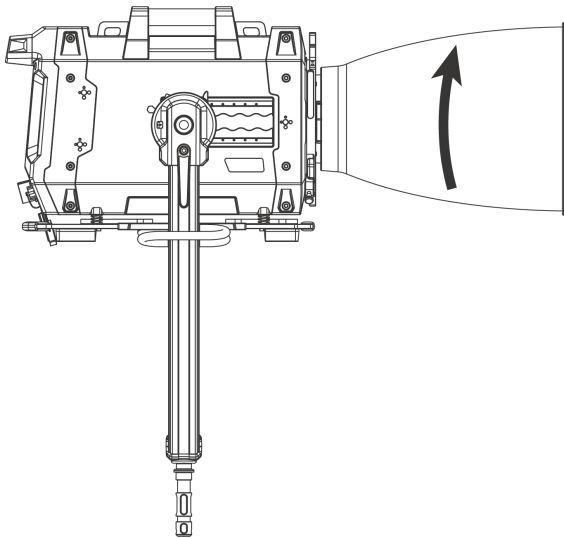
Installation:



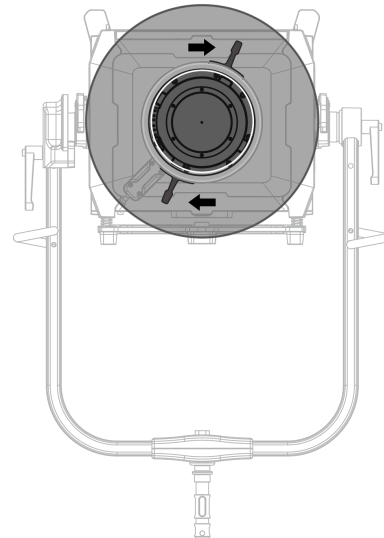
(1) To install the reflector, hold the two handles of the PosiTight System, and rotate anticlockwise to release it.



(2) Align the reflector's electronic contacts with the fixture's electronic contacts, match the four tabs with the four grooves on the fixture's NL mount, and insert the reflector into the mount.

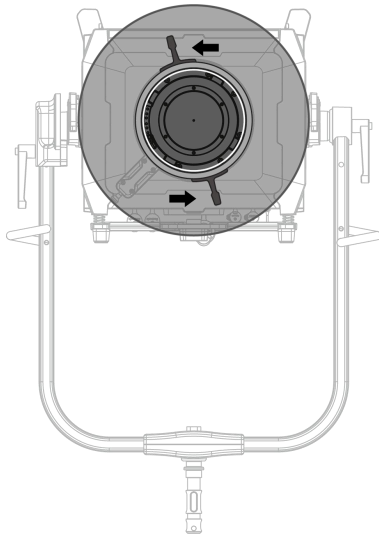


(3) Clockwise rotate the reflector and fasten it onto the fixture.

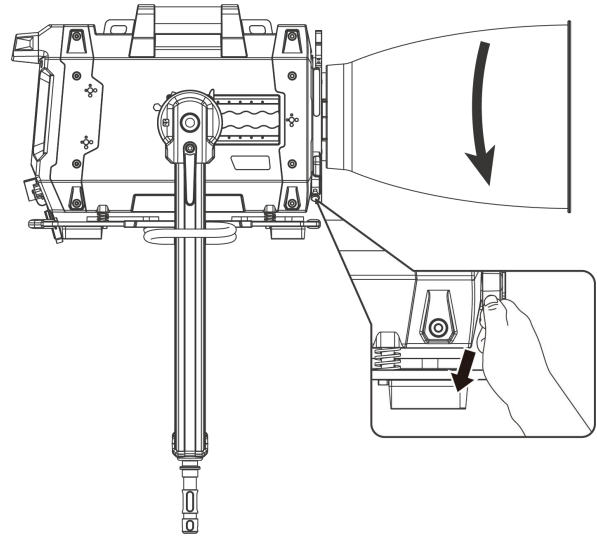


(4) Clockwise rotate the PosiTight System, further secure the reflector.

Detachment:



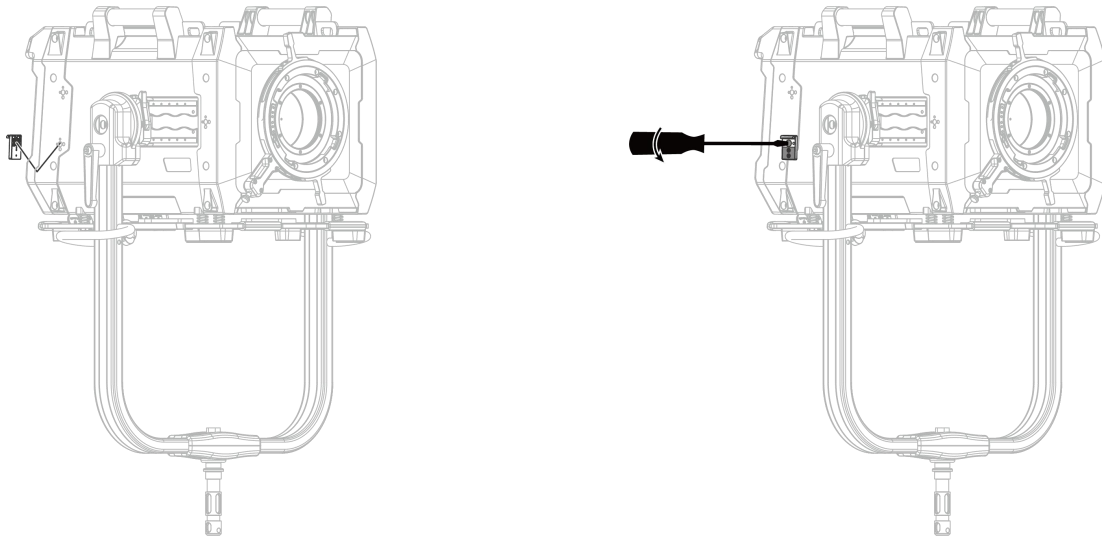
(1) To detach the reflector, hold the two handles of the PosiTight System, and rotate anticlockwise to release it.



(2) Hold the reflector and pull the lock catch. Rotate the reflector anticlockwise to remove it. (After removal, pay attention to the fixture's balance, and adjust the center of gravity as needed.)

4.6. Installing and Detaching the Magnetic Base

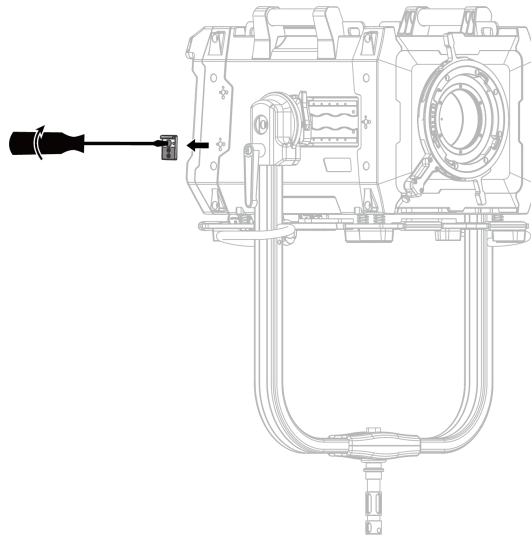
Installation:



(1) Find the 1/4"-20 screw hole on the fixture (as shown above), align the screw on the magnetic base with the screw hole on the fixture and insert it.

(2) Turn the screw clockwise to secure it and complete the installation.

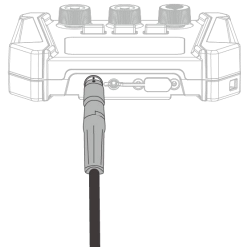
Detachment:



Turn the screw counterclockwise until it is fully loosened from the screw hole. Remove the magnetic base from the fixture.

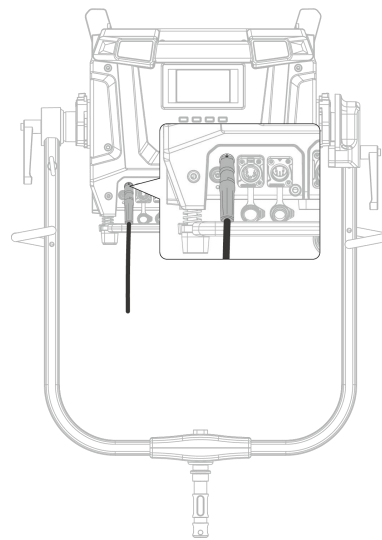
4.7. Connecting the WC-EXT Wired Controller

Connecting the wired controller to the fixture:



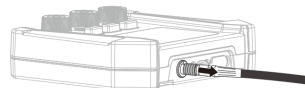
(1) Insert the plug of the connection cable into the wired controller's extension port.

▲ Note: Align the red dot on the plug with the red dot on the extension port.



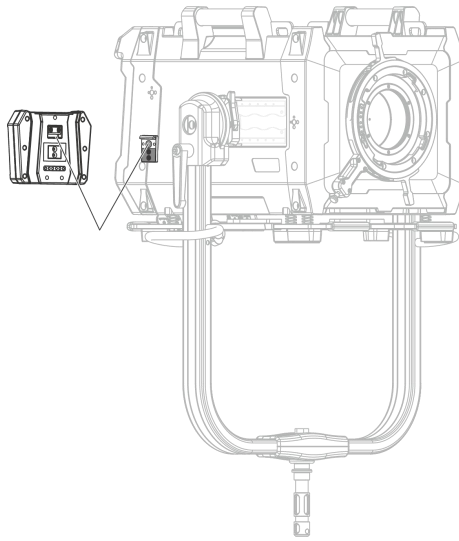
(2) Insert the plug on the other end of the cable into the fixture's extension port to complete the connection between the wired controller and the fixture.

Disconnecting the wired controller from the fixture:



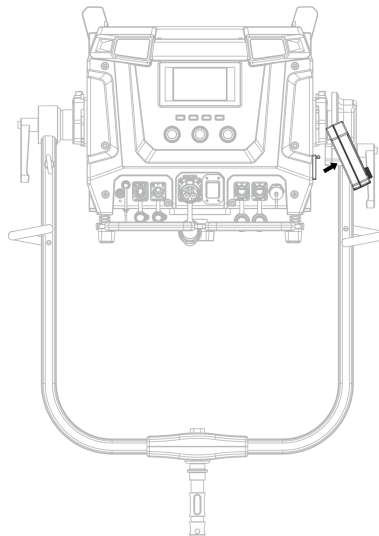
Grip the anti-slip section of the connection cable plug and pull it out to disconnect.

Install wired controller onto magnetic base:



Align the groove on the back of the wired controller with and close to the latch on the magnetic base. The wired controller will automatically attach to the magnetic base.

Detach wired controller from magnetic base:

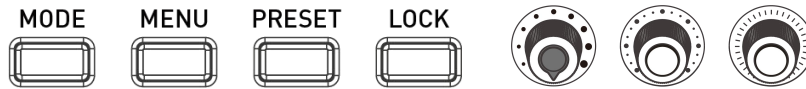


Lift the wired controller from the bottom upward to remove it from the fixture.

5. Operating Instructions

Connect the fixture to AC power, turn on the power switch to power up the fixture.

The control panel features four buttons--**MODE**, **MENU**, **PRESET**, and **LOCK**, as well as three knobs: **left knob**, **middle knob**, and **right knob**.



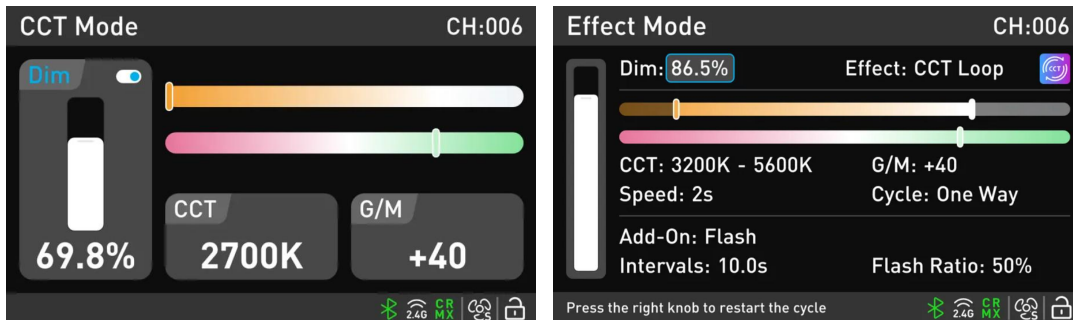
5.1. Lighting Mode Control

This fixture has CCT and Effect modes.

5.1.1. Control Panel Control

(1) Mode Selection

Press the **MODE** button to enter the mode selection interface. In this interface, press the **MODE** button again to switch to another mode.



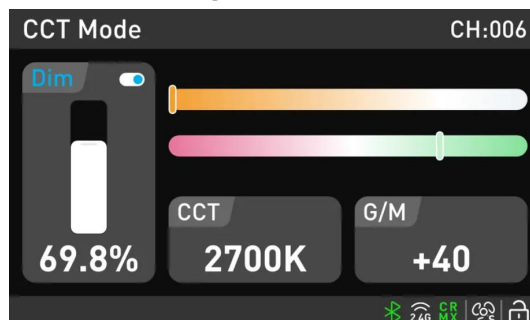
(2) Mode Operation

① CCT Mode

Rotate the **left knob** to adjust brightness. Press the **left knob** to turn on or off the Dimmer Switch.

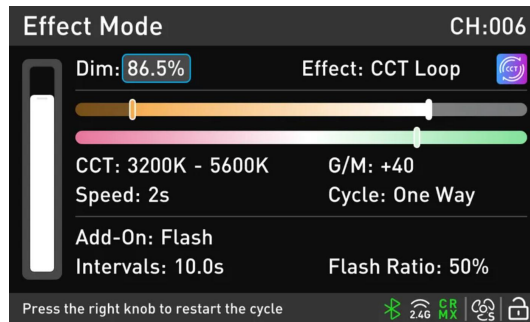
Rotate the **middle knob** to adjust the CCT. Press the **middle knob** to toggle among 2700K, 3200K, 4300K, 5600K, and 6500K.

Rotate the **right knob** to adjust the G/M. Press the **right knob** to set the value to zero.



② Effect Mode

In the effect interface, rotate the **right knob** to select a parameter, the **middle knob** to adjust the parameter value, and the **left knob** to turn on or off the Dimmer Switch.



5.1.2. DMX Control

(1) DMX Connection

① Connect the fixture to the DMX console via a DMX cable

A 5-pin shielded cable with a diameter of no less than 0.3mm must be used to connect the light fixture to the DMX console.

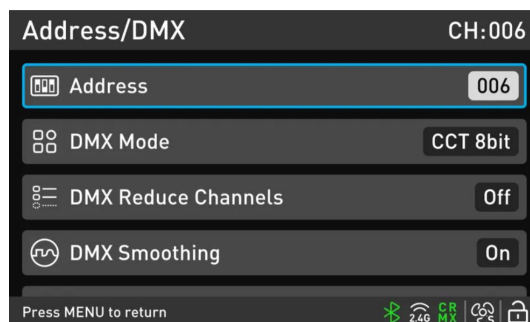
The fixture is built with a 5-pin XLR socket. If the DMX console is built with a 3-pin XLR socket, an adapter will be required.

② DMX Termination Resistor

When connecting fixtures with DMX cables, the DMX out port of the last fixture in the daisy chain must be connected to a DMX termination resistor (not included). This effectively prevents interference during DMX signal transmission.

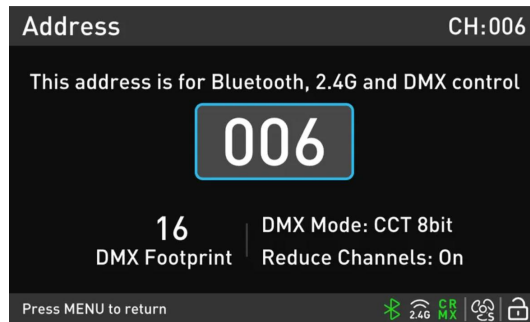
(2) DMX Settings

The DMX settings include Address, DMX Mode, DMX Reduce Channels, DMX Smoothing, DMX Dimming Curve and Loss Behavior.



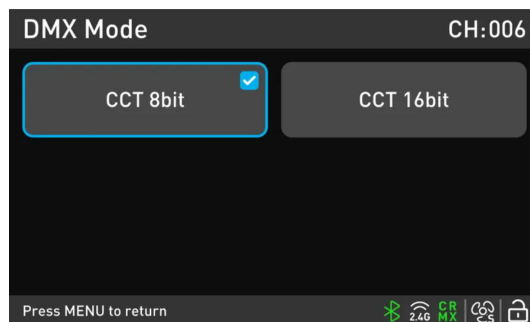
① Address Setting

Enter the address setting interface: Menu → Address/DMX → Address.



② DMX Mode Setting

Enter the DMX mode interface: Menu → Address/DMX → DMX Mode.



③ Other DMX Settings

The operation methods for DMX Reduce Channels, DMX Smoothing, DMX Dimming Curve and Loss Behavior are as below:

Rotate the **right knob** to the corresponding DMX setting option and press the **right knob** to enter the level 3 menu.

Rotate the **right knob** to select the parameter, and press the **right knob** to set.

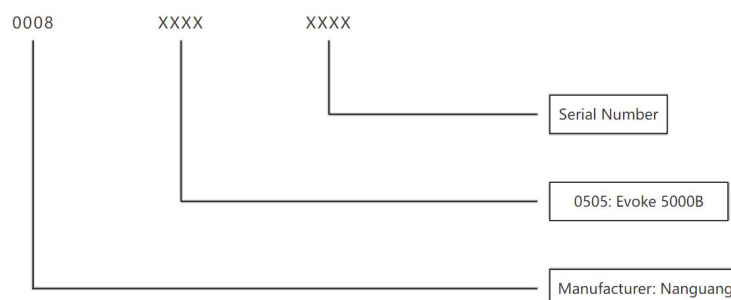
After the DMX settings are finished, and the DMX cable is connected, for detailed operations on controlling the fixture with a DMX console, please refer to the DMX CHARTS.

(3) RDM Function

① Connect the fixture to a console with RDM function using a connection cable.

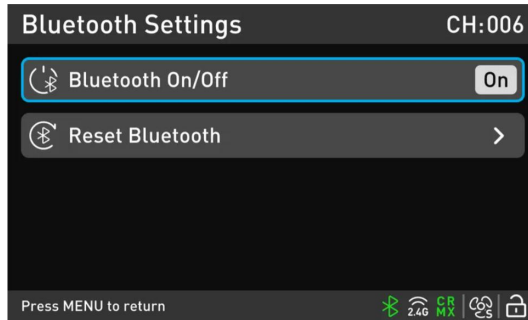
② Control the fixture using a console with RDM function (For detailed operations, please refer to the console manual).

▲ Note: The UID format of fixture is as below:



5.1.3. NANLINK APP Control-via Bluetooth

Enter the Bluetooth settings interface: Menu → Wireless Control → Bluetooth Settings.



The Reset Bluetooth option is available when the Bluetooth is on.

Enter the reset Bluetooth interface: Bluetooth Settings → Reset Bluetooth.

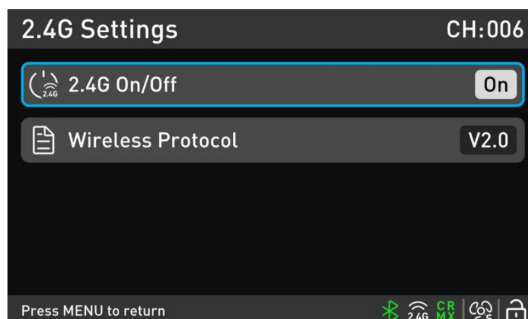


5.1.4. NANLINK APP Control-via 2.4G

The fixture can be controlled by the NANLINK APP via Bluetooth, or by the APP via 2.4G through the NANLINK transmitter box.

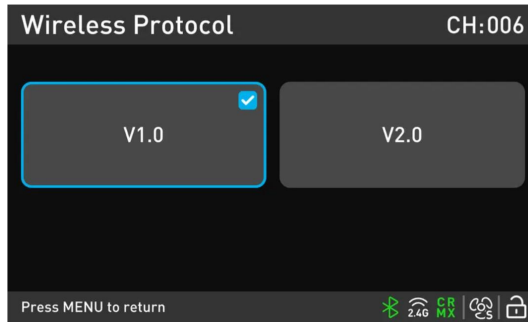
(1) Turn on the 2.4G.

Enter the 2.4G settings interface: Menu → Wireless Control → 2.4G Settings.

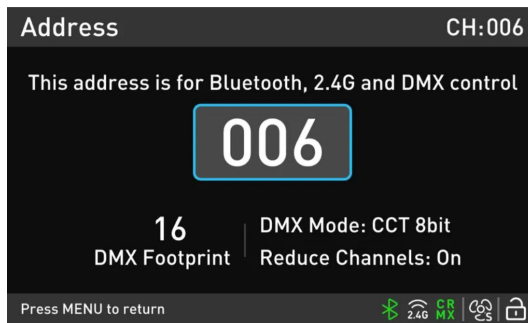


(2) Set the wireless protocol to V1.0.

Enter the wireless protocol interface: 2.4G Settings → Wireless Protocol.



(3) Set the address.



5.1.5. Remote Controller Control

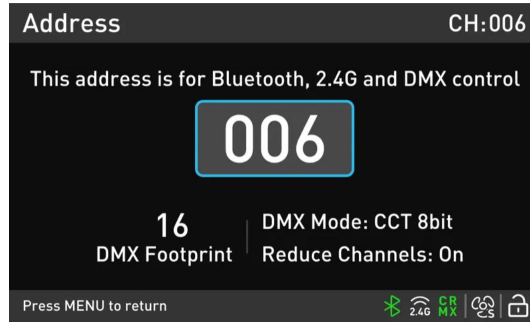
(1) Set the wireless protocol before controlling the fixture by a 2.4G remote controller.

Enter the wireless protocol interface: 2.4G Settings → Wireless Protocol.



▲ Note: The wireless protocol should be set in V2.0 when using the WS-RC-C2 remote controller to control the fixture. Set it in V1.0 when using other remote controllers.

(2) Set the address.



After setting, the fixture can be controlled by a 2.4G remote controller.

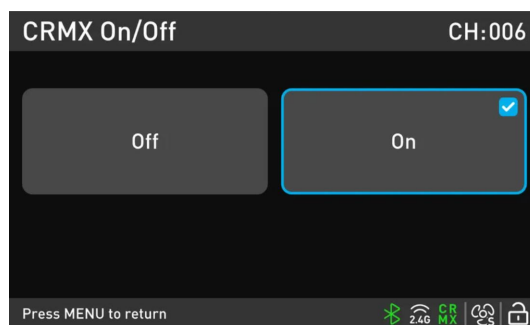
5.1.6. CRMX Control

(1) Enter the Address/DMX interface to adjust the DMX settings.



(2) Turn on the CRMX.

Enter the CRMX On/Off interface: Menu → Wireless Control → CRMX Settings → CRMX On/Off



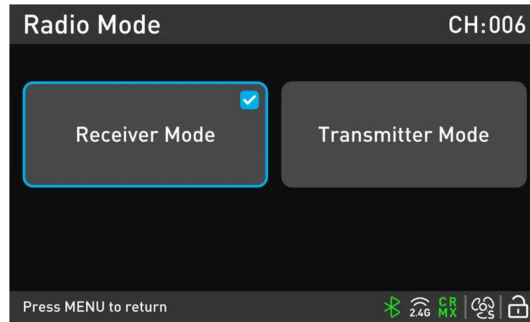
The CRMX wireless signal can be received when the CRMX is turned on.

The CRMX wireless signal can't be received when the CRMX is turned off.

(3) Set the radio mode.

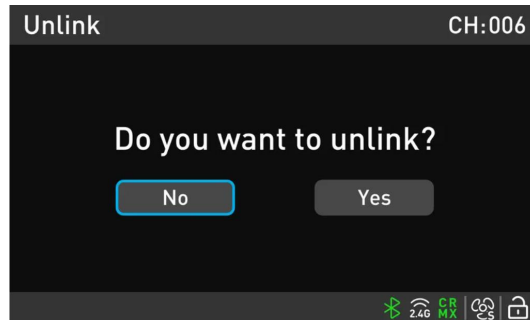
Enter the radio mode interface: CRMX Settings → Radio Mode

① When the fixture is set to Receiver Mode.



A. Set the fixture to CRMX unlink.

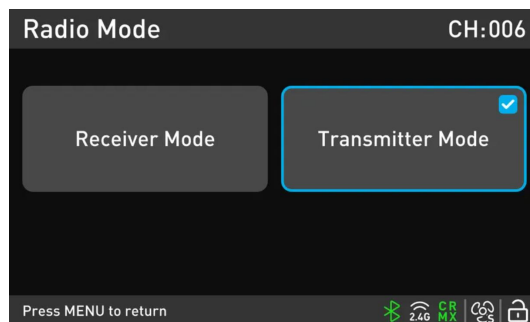
Enter the unlink interface: CRMX Settings → Unlink



▲ Note: The CRMX settings should be set to unlink to allow the fixture to be reconnected to a new fixture or transmitter.

B. Use a CRMX transmitter to connect this fixture.

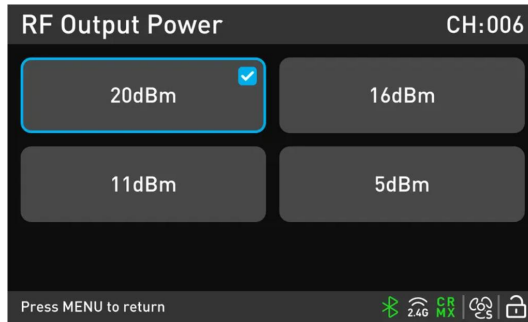
② When the fixture is set to Transmitter Mode.



A. Use a CRMX transmitter to connect this fixture.

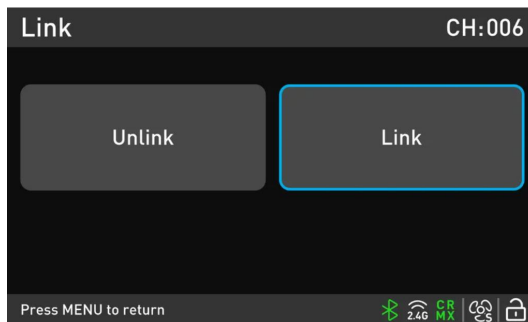
B. The RF output power can be set when the fixture is in the transmitter mode.

Enter the RF output power interface: CRMX Settings → RF Output Power



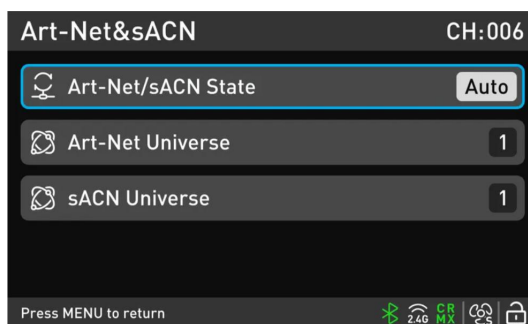
C. Connect other fixture that set in Receiver Mode.

Enter the link interface: CRMX Settings → Link



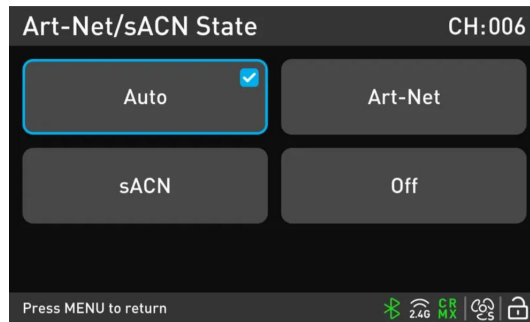
5.1.7. Art-Net&sACN Control

The Art-Net/sACN settings include Art-Net/sACN State, Art-Net Universe, and sACN Universe.



(1) Art-Net/sACN State Settings

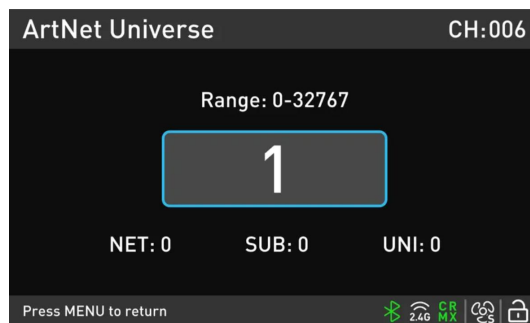
Enter the Art-Net/sACN state interface: Menu → Network Settings → Art-Net/sACN State.



Choose the Auto, the fixture will automatically detect Art-Net or sACN signals based on the network signal.

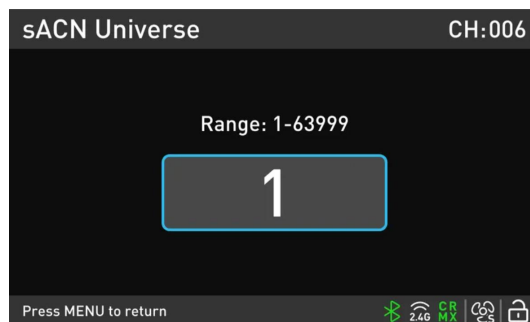
(2) Art-Net Universe Settings

Enter the Art-Net universe interface: Menu → Network Settings → Art-Net Universe.



(3) sACN Universe Settings

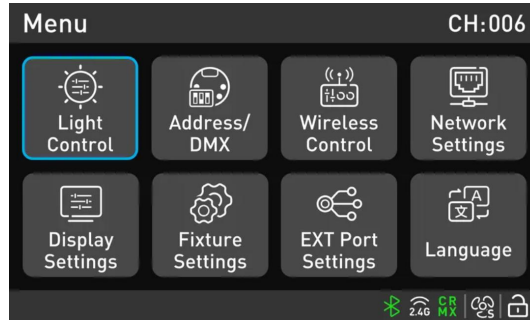
Enter the sACN universe interface: Menu → Network Settings → sACN Universe.



5.2. Menu

5.2.1. Menu Overview

In the menu, there are options including Light Control, Address/DMX, Wireless Control, Network Settings, Display Settings, Fixture Settings, EXT Port Settings, and Language.

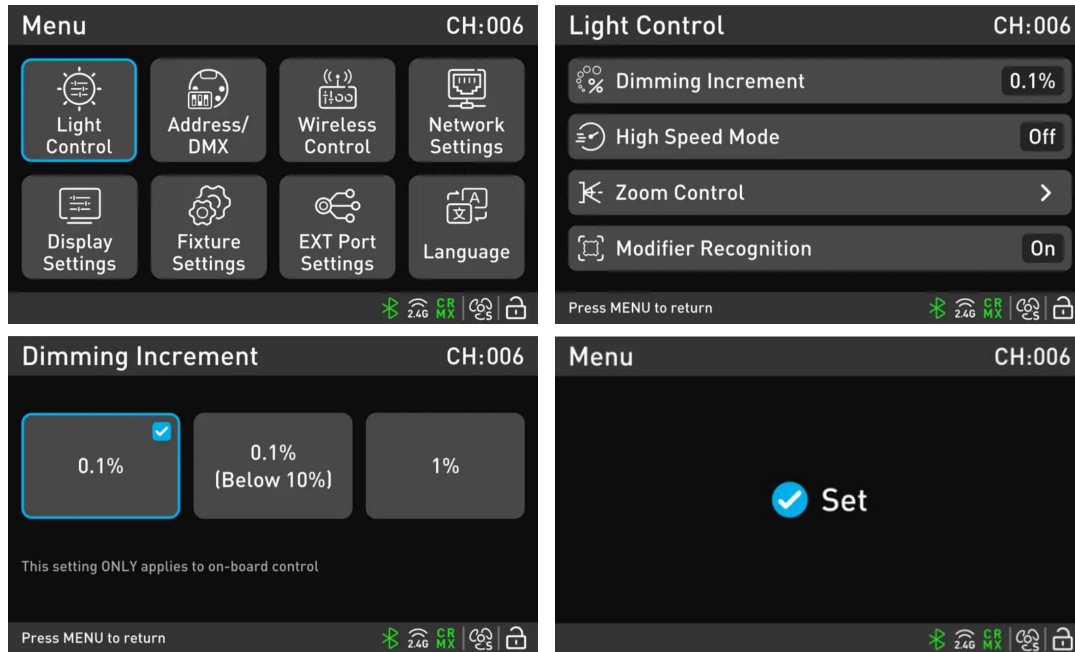


Level 1	Level 2	Level 3
Light Control	Dimming Increment	/
	High Speed Mode	
	Zoom Control	
	Modifier Recognition	
Address/DMX	Address	/
	DMX Mode	
	DMX Reduce Channels	
	DMX Smoothing	
	DMX Dimming Curve	
	Loss Behavior	
Wireless Control	Bluetooth Settings	Bluetooth On/Off
		Reset Bluetooth
	2.4G Settings	2.4G On/Off
		Wireless Protocol

Level 1	Level 2	Level 3
	CRMX Settings	CRMX On/Off
		Radio Mode
		Unlink (When the fixture is set to "Receiver Mode")
		RF Output Power (When the fixture is set to "Transmitter Mode")
		Link (When the fixture is set to "Transmitter Mode")
	All Wireless On/Off	/
Network Settings	Art-Net&sACN	Art-Net/sACN State
		Art-Net Universe
		sACN Universe
	Network Mode	/
	IP Address	
	Subnet Mask	
	Gateway Address	
	MAC Address	
Display Settings	Screen Brightness	/
	Rotate Screen	
	Button Backlight	
Fixture Settings	Fan Control	/
	Firmware Update	
	Reset All Settings	
	Fixture Info	
EXT Port Settings	EXT Port Firmware Update	/
	EXT Port Info	
Language	/	/

5.2.2. Menu Operation

In the menu, rotate the **right knob** to select an option and press the **right knob** to enter the next level menu. In the level 2 or level 3 menu, press the **MENU button** to return to the previous menu.



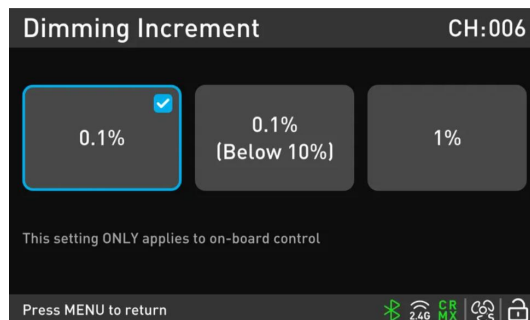
5.2.3. Others

(1) Dimming Increment

When 1% is selected, the dimming range is 0% to 100%, with increment of 1%.

When 0.1% is selected, the dimming range is 0.0% to 100.0%, with increment of 0.1%.

When 0.1% (Below 10%) is selected, if the brightness is set between 0.0% and 9.9%, the increment is 0.1%; if the brightness is set between 10% and 100%, the increment is 1%.








(2) Fan Control

When the fan is in Smart or Full Speed mode, the maximum brightness of the fixture is 100%.









When the fan is in Low Speed mode, the maximum brightness of the fixture is 50%.

When the fan is in Off mode, the interior fan will stop working, and the maximum brightness of the fixture is 15%.

Description for Fan Icon:

Icon	Description
	Fan (Smart)
	Fan (Full Speed)
	Fan (Low Speed)
	Fan (Off)
	Fan Abnormal

(3) Description for Wireless Icon in the Bottom Toolbar:

Icon	Description
	Bluetooth Not Paired
	Bluetooth Paired
	Bluetooth Off
	2.4G On
	2.4G Off
	CRMX Unlinked
	CRMX Linked
	CRMX Off

(4) Firmware Update

Put the firmware files into the root directory of the USB drive (ensure the versions of the firmware files are the same), insert the USB drive into the USB-A port, enter the Menu → Fixture Settings → Firmware Update, the system will automatically search for the firmware files.

(5) EXT Port Firmware Update

Put the firmware files of the EXT port into the root directory of the USB drive (ensure the versions of the firmware files are the same), insert the USB drive into the USB-A port, enter the Menu → EXT Port Settings → EXT Port Firmware Update, the system will automatically search for the firmware files.

▲ Note: ① Please do not rename the firmware files.

② Ensure the USB drive is formatted to FAT, FAT32 or exFAT.

③ If the instruction "The versions of the firmware files don't match. Please check the files and try again" is displayed, pls check if the versions of the firmware files are the same.

④ If the instruction "Missing parts of firmware files, please check the files and try again" is displayed, please ensure that all firmware files are stored on the USB drive.

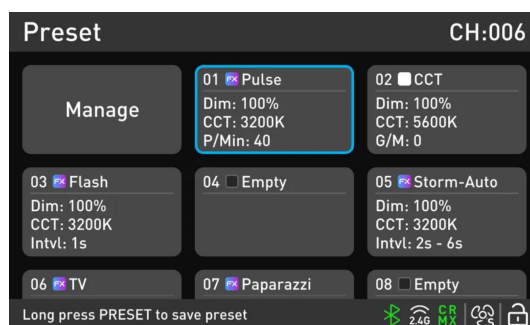
⑤ If the instruction "No firmware found, press MENU to return" is displayed, please check whether the firmware files are correct, whether they are stored in the root directory of the USB drive, and whether the USB drive is formatted as FAT, FAT32 or exFAT.

⑥ If all the above steps have been completed and the firmware files still cannot be found, please format the USB drive again.

⑦ If the fixture still cannot recognize the USB drive, please replace the USB drive.

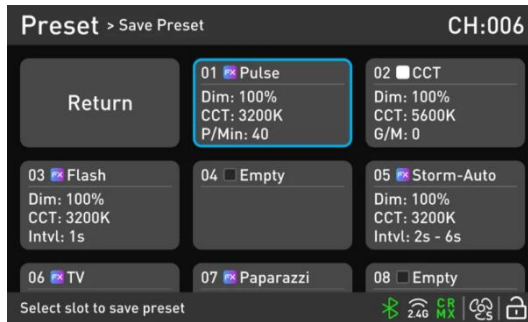
5.3. Preset

The preset function is used to save lighting settings for quick access. Press the **PRESET** button to enter the preset interface.

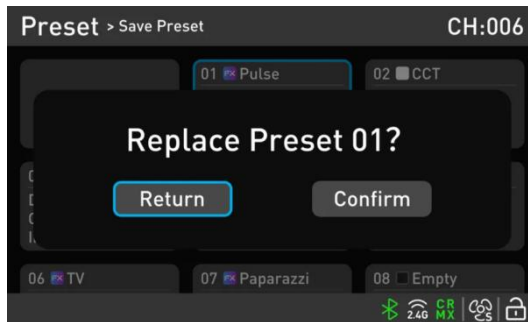


5.3.1. Save Preset

After completing the lighting settings, press the **PRESET** button for 3 seconds to enter the preset interface. Rotate the **right knob** to select a slot and press the **right knob** to save.

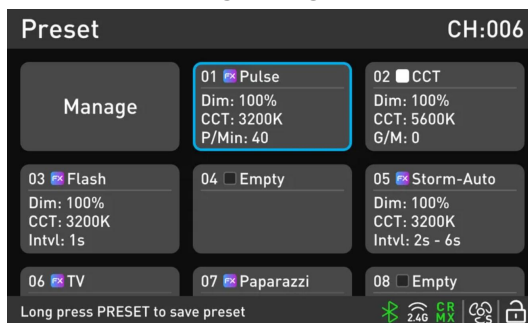


If a preset is already saved in this slot, pressing the **right knob** will show an instruction for replacing the preset. Select "Confirm" to replace the existing preset with the new one.



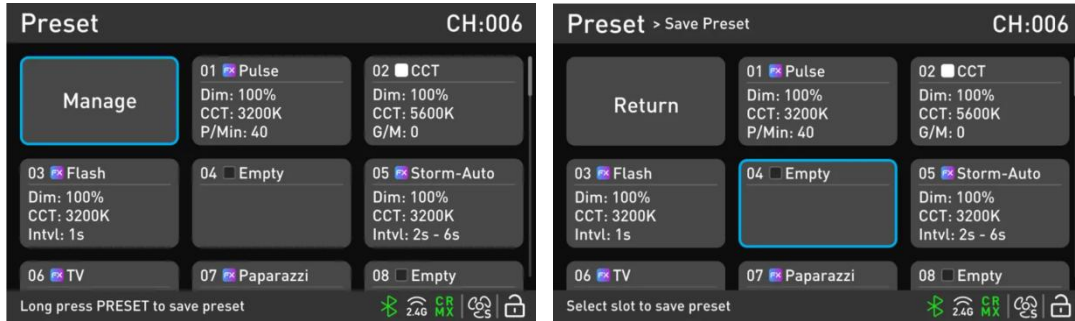
5.3.2. Apply Preset

In the preset interface, rotate the **right knob** to select the needed preset. Press the **right knob** to apply the preset's setting, and the screen will switch to the corresponding setting interface.

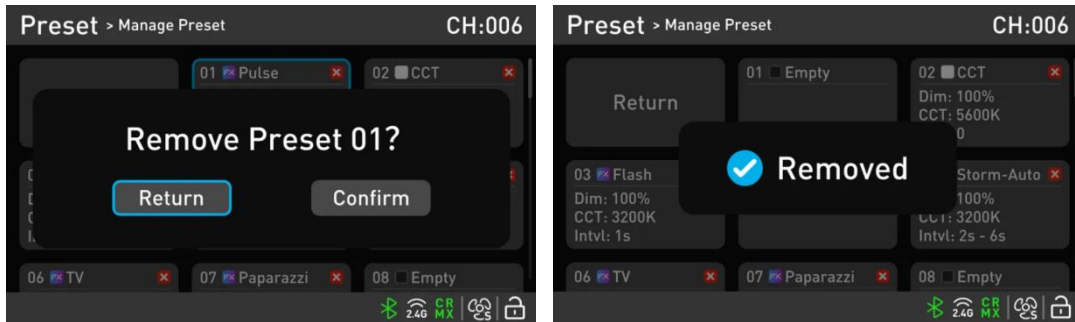


5.3.3. Manage Preset

In the preset interface, rotate the **right knob** to Manage Preset, and press the **right knob** to enter the preset manage interface, any preset can be removed in this interface.

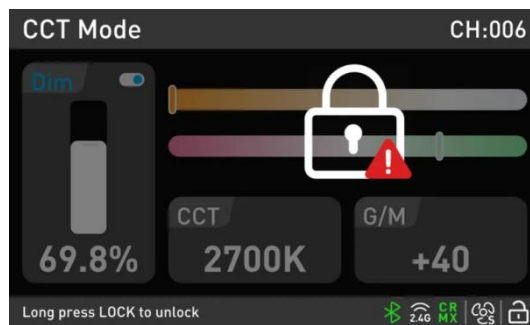


Rotate the **right knob** to select the preset to be removed. Pressing the **right knob** will show an instruction, select "Confirm" and press the **right knob** again to complete the removal.



5.4. Lock

Long press the **LOCK button** to lock the lighting state. Long press the **LOCK button** again to unlock. The lock setting only locks the control panel; the fixture can still be controlled via DMX signals (including Art-Net, sACN) and all wireless signals (including CRMX, wireless DMX, 2.4G, Bluetooth).




▲ Note: If the fixture is turned off while in a locked state, it will remain locked when turned on again. To unlock, long press the **LOCK button**.

5.5. NFC Function

The fixture has a built-in NFC function, allowing it to quickly pair with NFC-enabled devices (with the Nanlink App downloaded), enabling adjustments to DMX control parameters.

6. Troubleshooting for Common Issues

Issues	Troubleshooting Guide
The fixture can't power up.	<ol style="list-style-type: none"> 1. Please check whether the connections between the cable, fixture, and power outlet are loose. 2. Please check whether the power source voltage and frequency are within the specified range.
The fixture can be operated manually, but DMX control is not working.	<ol style="list-style-type: none"> 1. Please check whether the DMX address setting is correct. 2. Please check whether the DMX cable is connected correctly and without damage.
The display screen is on, but the fixture cannot be operated.	Please check whether the screen shows  . Long press the LOCK button for 3s to unlock.
The fan doesn't work.	Please turn on the fixture and check whether the fan is off.

Please scan the QR code for more details.



【DMX Charts】



【Nanlux Website】



【Nanlink App】

WWW.NANLUX.COM

NANLUX

✉ info@nanlux.com

☎ +86-754-85300887

☎ +86-754-85751187

📍 Dongli Section, Highway 324, Chenghai, Shantou City, Guangdong Province, China