

PROAIM

19-15mm Camera Base Plate, ARRI Standard Dovetail Tripod Plate (CH-DTPQ-01)

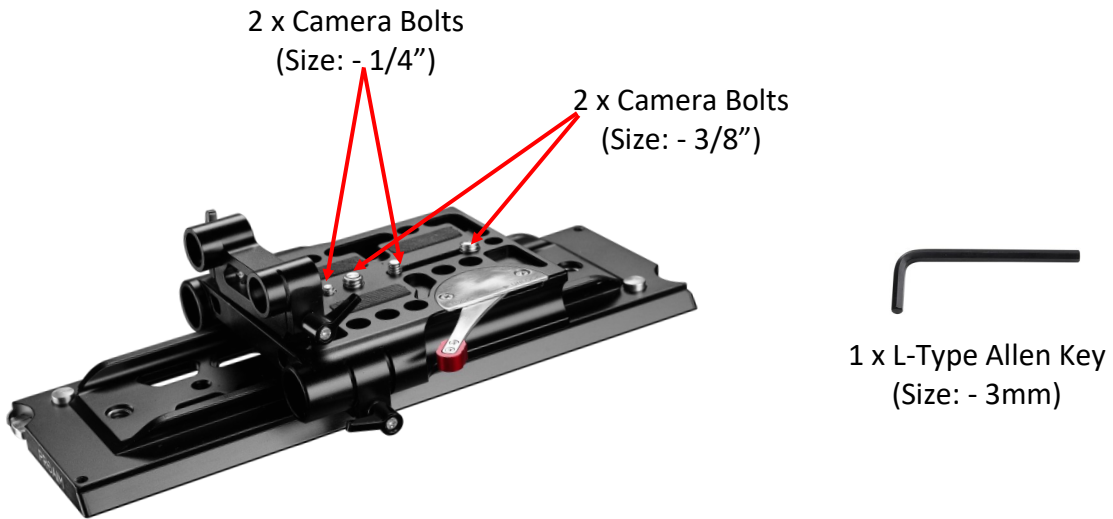


All rights reserved.

No part of this document may be reproduced, stored in a retrieval system, or transmitted by any form or by any means, electronic, mechanical, photo-copying, recording, or otherwise, except as may be expressly permitted by the applicable copyright statutes or in writing by the Publisher.

■ What's In The Box

Please inspect the contents of your shipped package to ensure you have received everything that is listed below.

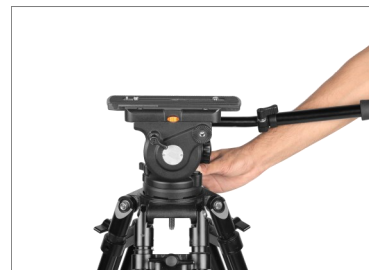


Proaim 19mm Quick Release
Camera Base Plate with Dovetail

■ Dovetail Plate Setup

Fluid Head Mounting

- Mount the 100mm Bowl Fluid Head (Not Included) onto the Tripod Stand (Not Included).



- From underneath, tighten the fluid head's knob to secure it.



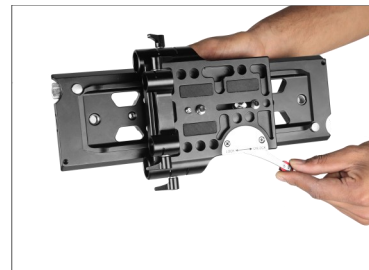
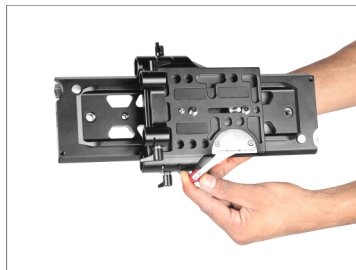
- Loosen the fluid head's locking knob.



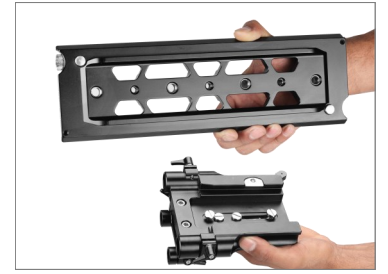
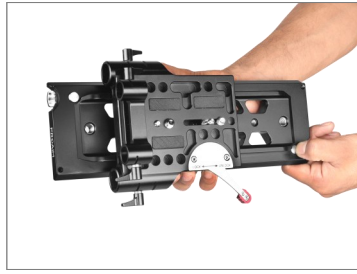
- Push the lever to remove the base plate.



- Unlock the quick release plate's lock.



- Push the stopper screw and slide the quick release plate outward.
- Remove the quick release plate from the dovetail plate



- Secure the top plate to the dovetail tripod plate using a screwdriver (Not Included) .



- Slide the dovetail plate onto the fluid head and lock it using the fluid head's locking lever.



Camera Mounting

- Attach the quick release plate to your camera (Not Included) and tighten it securely using a screwdriver.



- Carefully slide the camera onto the dovetail plate, and ensure it is securely locked in place.



- Use the lock lever to firmly secure the camera onto the dovetail tripod plate.



- Attach the matte box (Not Included) to the quick release plate and tighten the knob to secure it.



- The setup is now ready for use.



**YOUR PROAIM 19-15MM CAMERA BASE PLATE WITH DOVETAIL TRIPOD PLATE
ALL DRESSED UP AND READY TO GO!**



(SHOWN WITH OPTIONAL ACCESSORIES)

Warranty: We offer one year warranty for our products from date of purchase. Within this period of time, we will repair it without charge for labor or parts. Warranty doesn't cover transportation costs nor does it cover a product subjected to misuse or accidental damage. Warranty repairs are subjected to inspection and evaluation by us.

Liability: We are not liable for damage caused by products that we do not supply or from mishandling in transit, accident, misuse, neglect, lack of care of the product, or service by anyone other than our company.

Contact Us: In case of any kind of dissatisfaction, please Contact us immediately and we promise our utmost support and care until you use our product.