

SmallRig



Super Lightweight 15mm Rod Clamp

Operating Instruction

SmallRig Super Lightweight 15mm-Railblock-3 2061 includes 2pcs of super lightweight 15mm-Railblock-3. Each Super Lightweight 15mm-Railblock-3 comes with two rod clamps for 15mm rods, which could be tightened via 2 rotatable wingnuts. The adjustment of one wingnut will not affect the operation of the other wingnut. In addition, it is equipped with an abundance of 1/4" threaded holes for DIY operations.

Safety Guidelines

1. Environment

Do not use the product underwater, in extreme temperatures (e.g., freezing or direct heat), corrosive environments, or excessive dust. Dry metal parts immediately after liquid contact to prevent corrosion.

2. Load Capacity

Do not exceed the maximum weight capacity indicated on the product. Overloading risks structural failure, deformation, or accidental drops.

3. Cleaning & Maintenance

Clean surfaces with a dry, soft cloth. Avoid chemicals like alcohol or solvents. Ensure dry and ventilated conditions for long-term storage.

4. Structural Integrity

Do not modify the product (e.g., drilling, cutting)—this compromises structural integrity and increases drop risks.

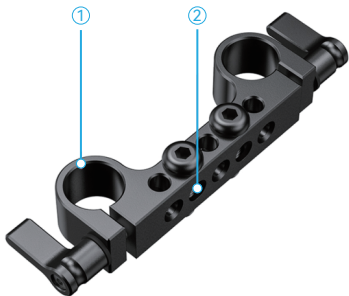
5. Malfunctions

Stop use immediately if you notice deformation, unusual noises, or loose components, and contact support.

In the Box

15mm-Railblock	× 2	1/4" Screw (Long)	× 4
1/4" Screw (Short)	× 4	Hex Spanner	× 1
Guarantee Card	× 1		

Product Details



① 15mm Rod Clamp

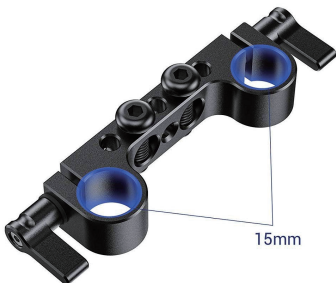
② 1/4"-20 Threaded Hole

Usage

1.It includes 2pcs of super lightweight 15mm-Railblock-3.



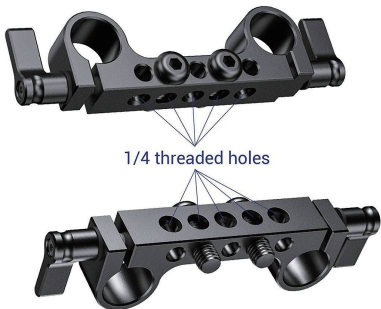
2. Each Super Lightweight 15mm-Railblock-3 comes with two rod clamps for 15mm rods, which could be tightened via 2 rotatable wingnuts.



3. The adjustment of one wingnut will not affect the operation of the other wingnut.



4. It is equipped with an abundance of 1/4" threaded holes for DIY operations.



Used with V Mount Plate 1846



Used with Shoulder Pad 2057

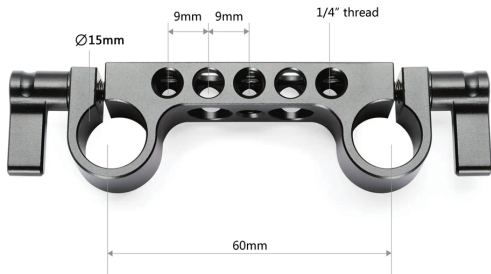


Used with Battery Plate 1530

Your Imagination...



Specifications



Product Dimensions	3.9 × 0.4 × 1.6 in 100.0 × 10.0 × 40.0 mm
Product Weight	2.8oz 80g
Material (s)	Aluminum Alloy
Compatibility	Universal

Manufacturer Email: support@smallrig.com
Manufacturer: Shenzhen Leqi Innovation Co., Ltd.
Add: Rooms 101, 701, 901, Building 4, Gonglianfuji Innovation Park, No. 58, Ping'an Road,
Dafu Community, Guanlan Street, Longhua District, Shenzhen, Guangdong, China.

Consignor: Shenzhen LC Co., Ltd.
Add: Room 201, Building 4, Gonglianfuji Innovation Park, No. 58, Ping'an Road,
Dafu Community, Guanlan Street, Longhua District, Shenzhen, Guangdong, China.

RoHS **CE** 



Séparez les éléments avant de trier



Made in China