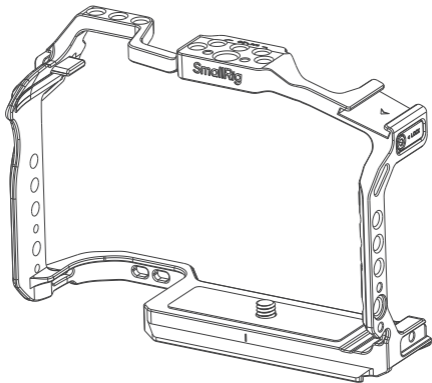


SmallRig



Cage for Canon EOS R5 Mark II

拓展框 (适用于佳能 EOS R5 Mark II)

Operating Instruction / 操作指引

- Thank you for purchasing SmallRig's product.
感谢您购买 SmallRig 产品。
- Please read this Operation Guide carefully.
使用本产品之前，请仔细阅读操作指引。
- Please follow the safety warnings.
请注意所有警告提示并遵循使用操作指引的所有指令。

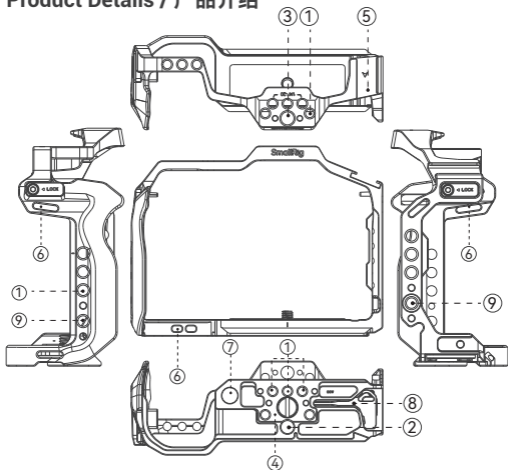
In the Box / 包装清单

Cage	× 1	Operating instruction	× 1
拓展框		操作指引	

Specifications / 产品参数

Product Dimensions 产品尺寸	6.0 × 2.2 × 4.6in 153.0 × 57.3 × 116.0mm
Product Weight 产品重量	5.6 ± 0.1oz 157.7 ± 5g
Material (s) 主要材质	Aluminum Alloy 铝合金

Product Details / 产品介绍



① 1/4"-20 Threaded Hole
1/4"-20 螺纹孔

② 3/8"-16 Threaded Hole
3/8"-16 螺纹孔

③ ARRI 3/8"-16 Locating Hole
阿莱(ARRI)定位孔

④ Arca-Swiss Quick Release Plate
阿卡规格快装板

⑤ Cold Shoe Mount
冷靴

⑥ Strap Slot
肩带 / 腕带接口

⑦ QD Socket
QD 接口

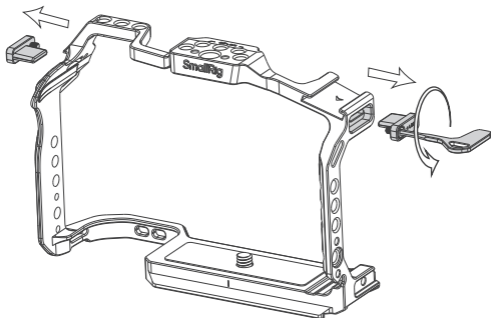
⑧ Dual-Head Wrench
双头扳手

⑨ 1/4"-20 Locating Hole
1/4"-20 定位孔

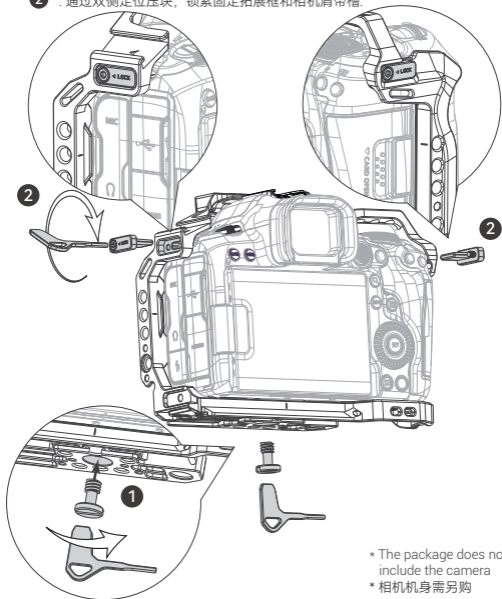
Cage Installation / 拓展框安装步骤

- (1) Before installing, Please remove the two locating blocks on the sides of the cage by the Dual-Head Wrench.

在安装拓展框前，请先用双头扳手拆卸拓展框两侧的定位压块。



- (2) **1** : The side plate can adjust front and back by 5mm / 0.2in without obstructing the camera's side HDMI, microphone, and other interfaces.
- 1** : 将相机从后往前放入相机拓展框, 然后用双头扳手拧紧底部1/4"-20螺丝, 锁紧固定拓展框。
- 2** : Secure the cage and camera strap slots by tightening two locating blocks on the sides of the cage.
- 2** : 通过双侧定位压块, 锁紧固定拓展框和相机肩带槽。



* The package does not include the camera
* 相机机身需另购

Manufacturer Email: support@smallrig.com

Manufacturer: Shenzhen Leqi Innovation Co., Ltd.

制造商: 深圳市乐其创新股份有限公司

Add: Rooms 101, 701, 901, Building 4, Gonglianfuji Innovation Park, No. 58,
Ping'an Road, Dafu Community, Guanlan Street, Longhua District,
Shenzhen, Guangdong, China.

地址: 中国广东省深圳市龙华区观澜街道大富社区平安路58号共联富基创新园
4栋101、701、901

Consignor: Shenzhen LC Co., Ltd.

委托商: 深圳市乐长科技有限公司

Add: Room 201, Building 4, Gonglianfuji Innovation Park, No. 58, Ping'an Road,
Dafu Community, Guanlan Street, Longhua District, Shenzhen,
Guangdong, China.

地址: 中国广东省深圳市龙华区观澜街道大富社区平安路58号共联富基创新园
4栋201

执行标准: GB/T 26572-2011



中国制造
Made in China

