

# SmallRig



## Magic Arm (9.8in)

Operating Instruction

SmallRig Articulating Arm (9.8in) 2066B is equipped with 1/4"-20 screws on both ends respectively. Thus, it could attach monitor via the 1/4"-20 screw on the one end and attach accessories with 1/4"-20 threaded holes on the other end, like NATO Rail 1973. Mounted with 1/4"-20 screw is a rubber cushion that protects monitors from scratches and helps to lock the monitor tighter. It features an ergonomic wingnut for great convenience that could help to adjust any angles based on your needs.

## Safety Guidelines

### 1. Environment

Do not use the product underwater, in extreme temperatures (e.g., freezing or direct heat), corrosive environments, or excessive dust. Dry metal parts immediately after liquid contact to prevent corrosion.

### 2. Load Capacity

Do not exceed the maximum weight capacity indicated on the product. Overloading risks structural failure, deformation, or accidental drops.

### 3. Cleaning & Maintenance

Clean surfaces with a dry, soft cloth. Avoid chemicals like alcohol or solvents. Ensure dry and ventilated conditions for long-term storage.

### 4. Structural Integrity

Do not modify the product (e.g., drilling, cutting)—this compromises structural integrity and increases drop risks.

### 5. Malfunctions

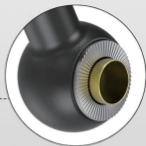
Stop use immediately if you notice deformation, unusual noises, or loose components, and contact support.

## In the Box

9.8in Articulating Arm      × 1

Guarantee Card      × 1

# Product Details Display



Rosette Connection



1/4" -20 Screw

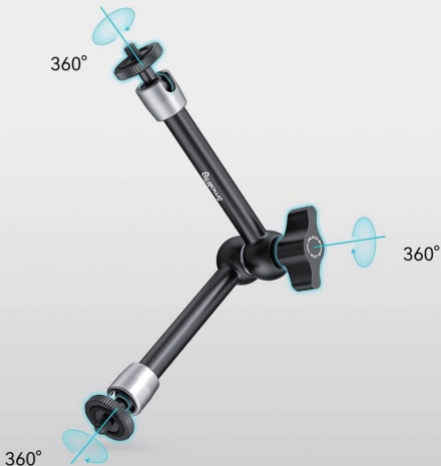


Screw Wing Nut



## Multiple Angle Adjustable

Features 360 degree adjustable ballhead at each end, stop at any angle you need.



Attach to Camera Monitor via the  
1/4"-20 Screw



Best Load:  
1.5KG~2KG  
(3.3lbs~4.4lbs)

# Wide Compatibility



Monitor



GoPro



Flash



Camera Cage



Wooden Handle



Top Plate

# Get Perfect Angle

360° Rotate Ball-Joint and  
Adjustable Arm 360°



# High-Quality & Sweet Design



O Ring Rubber Cushion



wingnut



Aluminum Alloy

**Max payload**

2.8kg (6.17lbs)

**Best load**

1.5KG~2KG (3.3lbs~4.4lbs)

**Net Weight**

225.5g

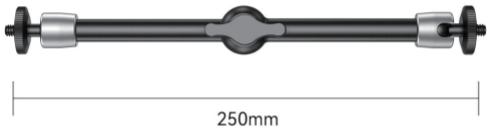
**Material(s)**

Aluminum Alloy



250mm

## Package Includes



## Product Parameters

**Brand**  
SmallRig

**Best Load**  
1.5kg~2kg(3.3lbs~4.4lbs)

**Material(s)**  
Aluminum Alloy

**ID**  
2066B

**Max Payload**  
2.8kg(6.17lbs)

**Net Weight**  
225.5g

Manufacturer Email: support@smallrig.com

Manufacturer: Shenzhen Leqi Innovation Co., Ltd.

Add: Rooms 101, 701, 901, Building 4, Gonglianfuji Innovation Park, No. 58, Ping'an Road,  
Dafu Community, Guanlan Street, Longhua District, Shenzhen, Guangdong, China.

Consignor: Shenzhen LC Co., Ltd.

Add: Room 201, Building 4, Gonglianfuji Innovation Park, No. 58, Ping'an Road,  
Dafu Community, Guanlan Street, Longhua District, Shenzhen, Guangdong, China.

**RoHS**



*Séparez les éléments avant de trier*



Made in China