

SmallRig | TRANSFORMERS



"Black Mamba" Cage Kit

for Canon EOS R5 Mark II

「黑曼巴」拓展框套件

适用于佳能 EOS R5 Mark II

(BumbleBee Edition / 大黄蜂系列)

Operating Instruction / 操作指引

- Thank you for purchasing SmallRig's product.
感谢您购买 SmallRig 产品。
- Please read this Operating Instruction carefully.
使用本产品之前，请仔细阅读操作指引。
- Please follow the safety warnings.
请注意所有警告提示并遵循使用操作指引的所有指令。

Specifications / 产品参数

Product Dimensions 产品尺寸	6.8 × 5.1 × 7.2in 173.6 × 129.2 × 183.5mm			
Product Weight 产品重量	11.4 ± 0.2oz 324.8 ± 5.0g			
Material(s) 主要材质	Aluminum Alloy 铝合金			
In the Box 包装清单	Cage 拓展框	× 1	Top Handle 上手提	× 1
	Cable Clamp 线夹	× 1	Guarantee Card 保修卡	× 1
	Operating Instruction 操作指引	× 1		

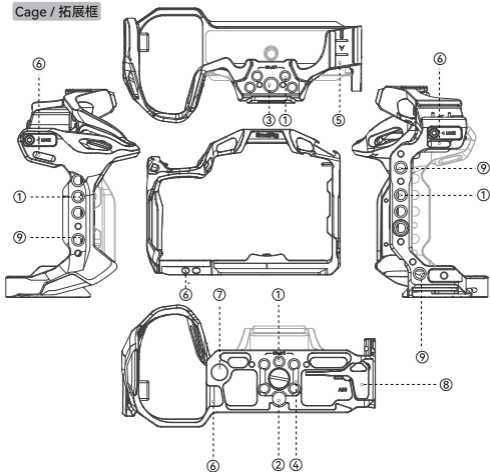
* **Compatibility / 兼容性:** Canon EOS R5 Mark II / 佳能 EOS R5 Mark II

* 技术参数如有改动，以实物为准，恕不另行通知。

Specifications subject to change without prior notice. Please refer to the physical product for the most up-to-date information.

Product Details / 产品介绍

Cage / 拓展框



① 1/4"-20 Threaded Hole
1/4"-20 螺纹孔

② 3/8"-16 Threaded Hole
3/8"-16 螺纹孔

③ ARRI 3/8"-16 Locating Hole
阿莱(ARRI)定位孔

④ H38 Arca-Swiss Quick Release Plate
快拆阿卡规格快装板

⑤ H18 Cold Shoe Mount
快拆冷靴

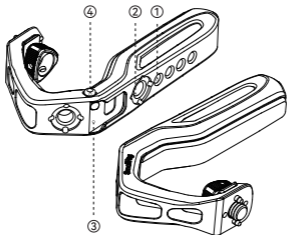
⑥ Strap Slot
肩带/腕带接口

⑦ QD Socket
QD接口

⑧ Dual-Head Wrench
双头扳手

⑨ 1/4"-20 Locating Hole
1/4"-20 定位孔

黑曼巴上提手柄 / "Black Mamba" Top Handle



① 1/4"-20 Threaded Hole
1/4"-20 螺纹孔

③ Cold Shoe Mount
冷靴

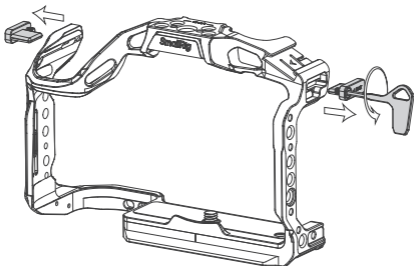
② ARRI 3/8"-16 Locating Hole
阿莱(ARRI)定位孔

④ Cold Shoe with Anti-off Pin
冷靴防脱键

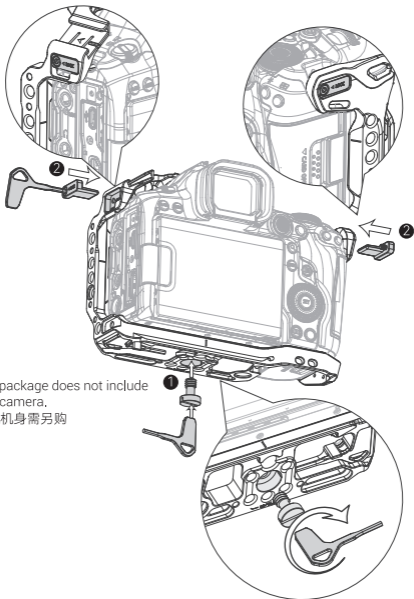
Cage Installation / 拓展框安装步骤

(1) Before installing, Please remove the two locating blocks on the sides of the cage by the dual-head wrench.

在安装拓展框前, 请先用双头扳手拆卸拓展框两侧的定位压块。



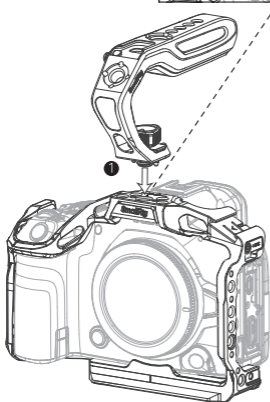
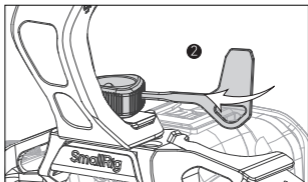
- (2) ❶: Put the camera into the cage from back to the front, and then secure the cage using the dual-head wrench to tighten the 1/4"-20 screw at the base.
将相机从后往前放入相机拓展框, 然后用双头扳手拧紧底部1/4"-20螺丝, 锁紧固定拓展框。
- ❷: Secure the cage and camera strap slots by tightening two locating blocks on the sides of the cage.
通过双侧定位压块, 锁紧固定拓展框和相机肩带槽。



- * The package does not include the camera.
- * 相机机身需另购

Top Handle Installation / 上手提安装步骤

- ① : Align the top handle with the ARRI 3/8"-16 locating hole on the cage.
将上手提对准相机拓展框的阿莱(ARRI)定位孔。
- ② : Tighten the ARRI 3/8"-16 locating screw by the included dual-head wrench.
拧紧阿莱(ARRI)定位螺丝，使用双头扳手加固锁紧。

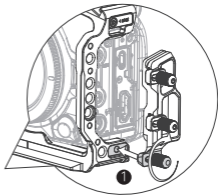
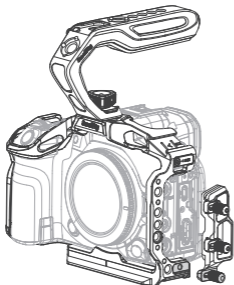


- * The package does not include the camera.
- * 相机机身需另购

HDMI & USB-C Cable Clamp Installation

HDMI & USB-C线夹安装步骤

- (1) ①: Install the cable clamp to the cage by tightening the thumbscrew.
: 通过一颗手拧螺丝, 将线夹和拓展框锁紧固定。

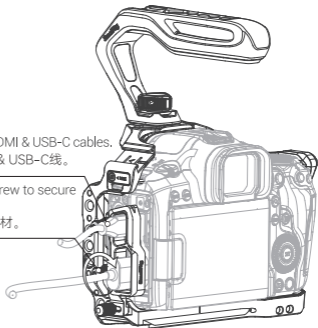


- The package does not include the camera
- 相机机身需另购

- ② Insert the HDMI & USB-C cables.
插入HDMI & USB-C线。

- ③ Tighten the thumbscrew to secure the cables.
拧紧手拧螺丝固定线材。

- The package does not include the camera
- 相机机身需另购



Manufacturer Email: support@smallrig.com

Manufacturer: Shenzhen Leqi Innovation Co., Ltd.

制造商: 深圳市乐其创新股份有限公司

Add: Rooms 101, 701, 901, Building 4, Gonglianfuji Innovation Park, No. 58, Ping'an Road, Dafu Community, Guanlan Street, Longhua District, Shenzhen, Guangdong, China.

地址: 中国广东省深圳市龙华区观澜街道大富社区平安路58号共联富基创新园4栋101、701、901

Consignor: Shenzhen LC Co., Ltd.

委托商: 深圳市乐长科技有限公司

Add: Room 201, Building 4, Gonglianfuji Innovation Park, No. 58, Ping'an Road, Dafu Community, Guanlan Street, Longhua District, Shenzhen, Guangdong, China.

地址: 中国广东省深圳市龙华区观澜街道大富社区平安路58号共联富基创新园4栋201

执行标准: GB/T 26572-2011

LQ-P1546-18

Licensed By:



©2025 Hasbro. ©2025 DreamWorks LLC and Paramount Pictures Corporation.



Séparez les éléments avant de trier



中国制造

Made in China

