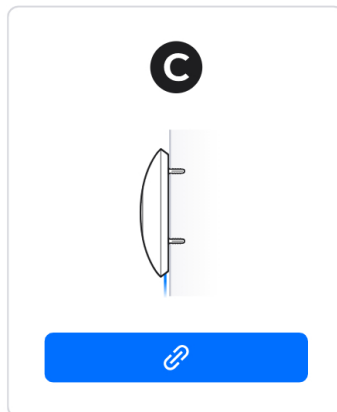
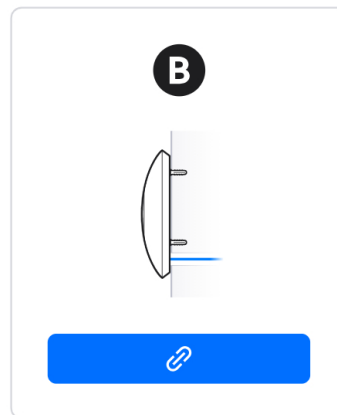
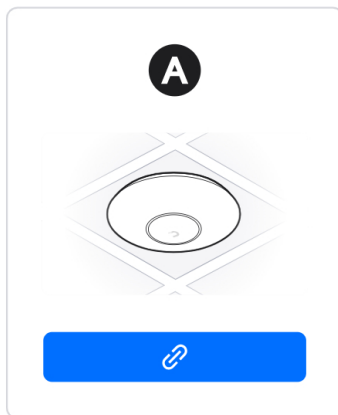
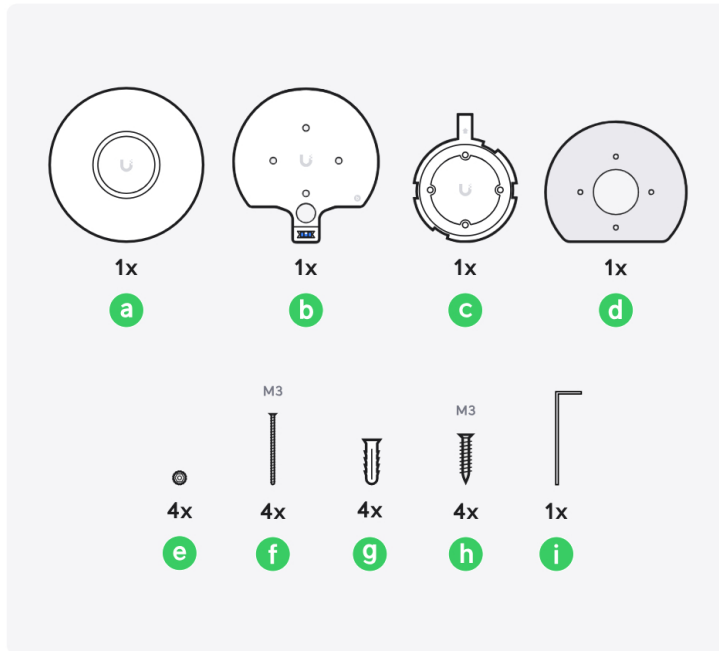
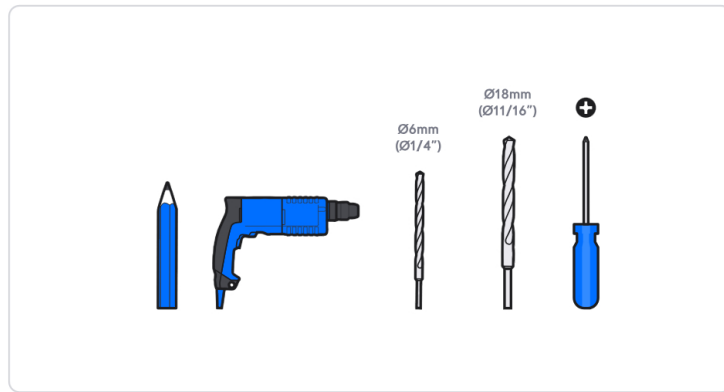
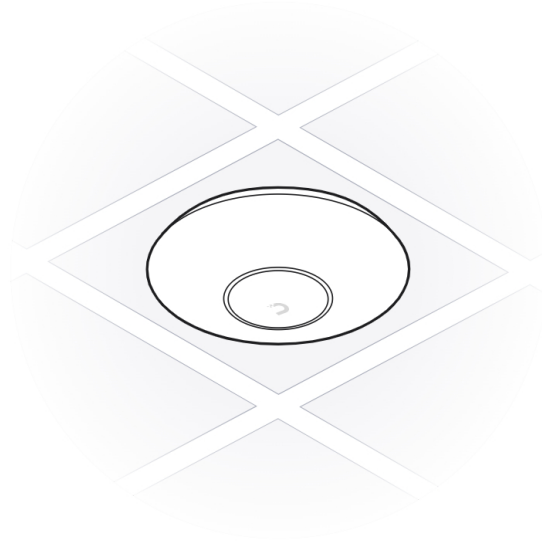


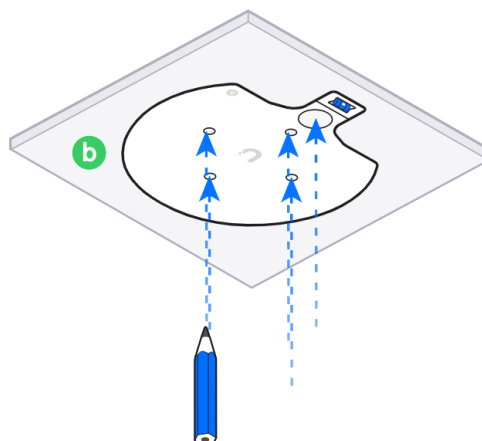
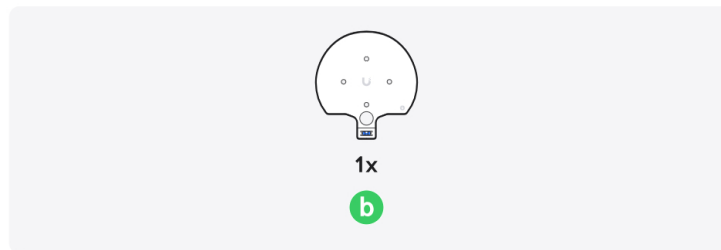


U6 Lite

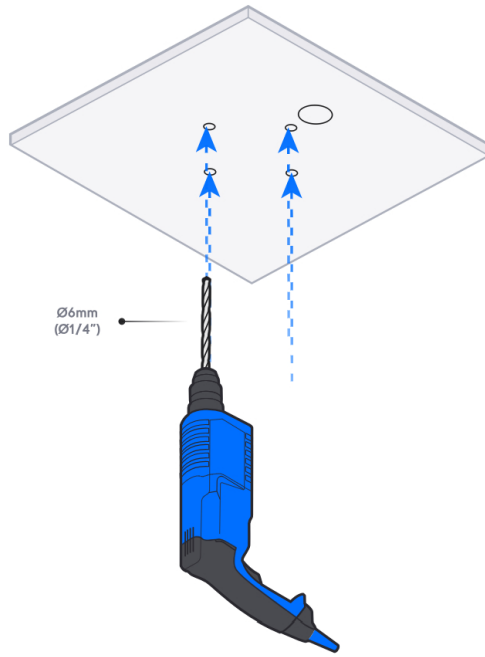




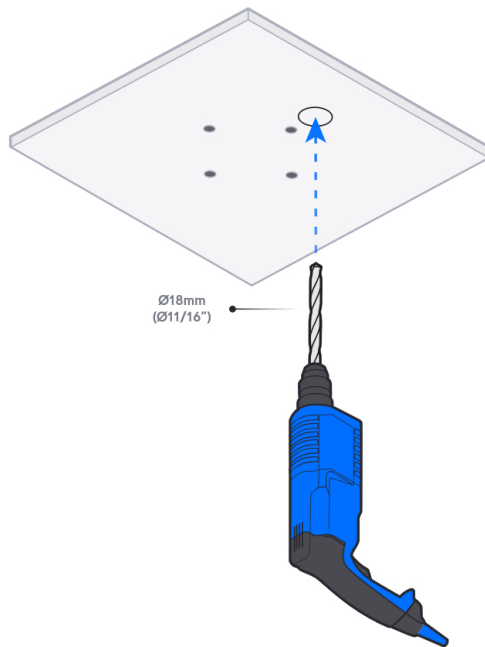
1



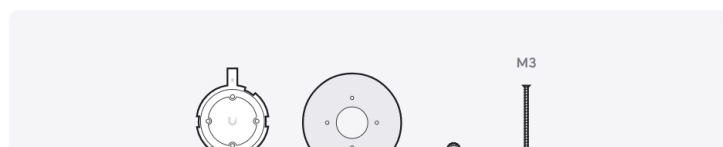
2



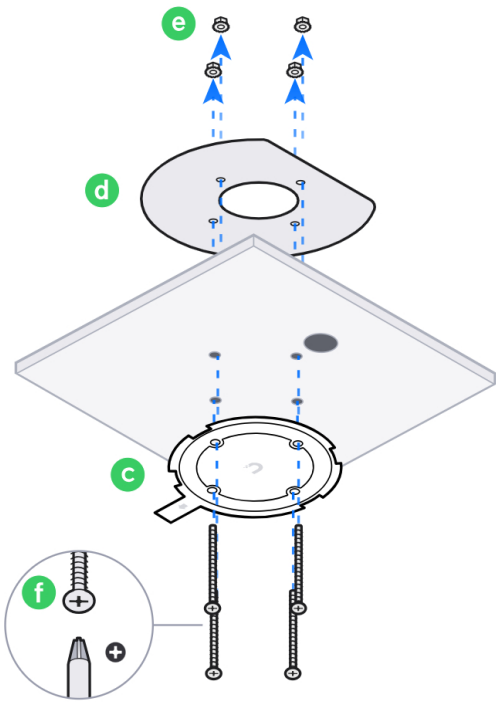
3



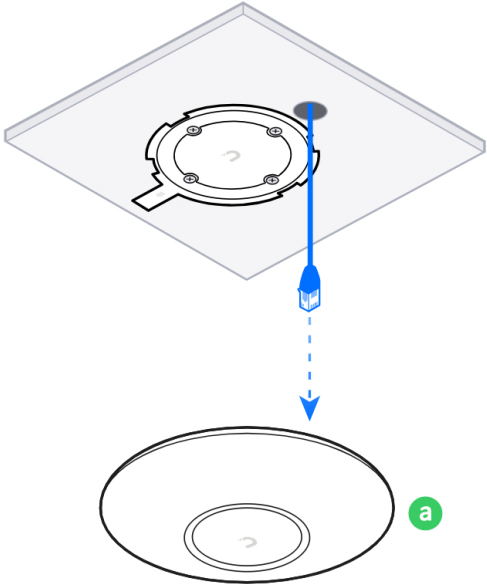
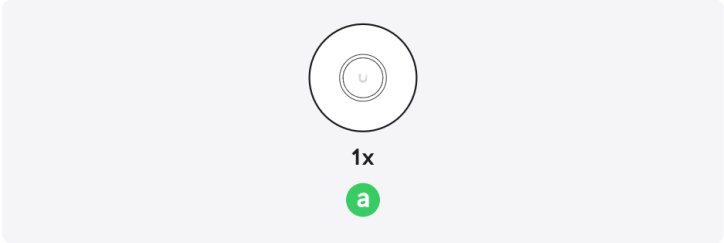
4



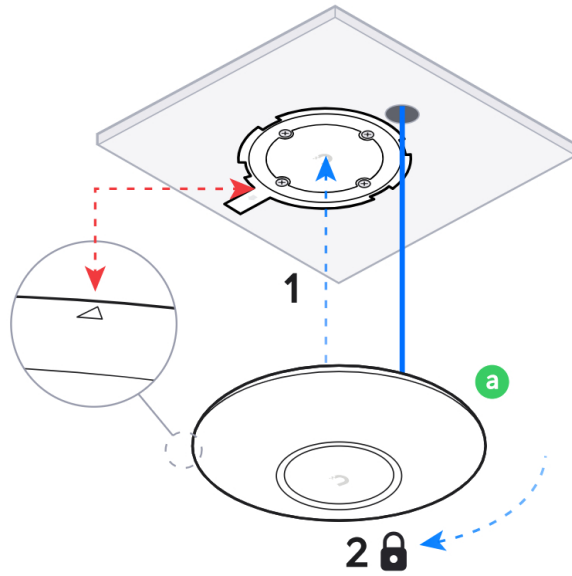
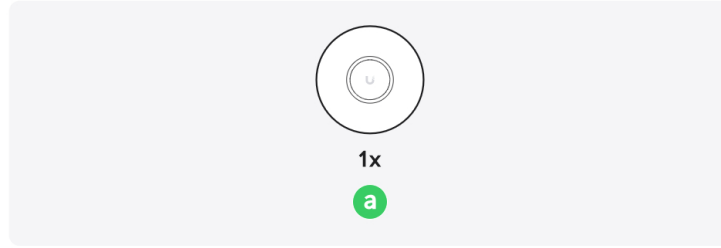
- 1x
c
- 1x
d
- 4x
e
- 4x
f



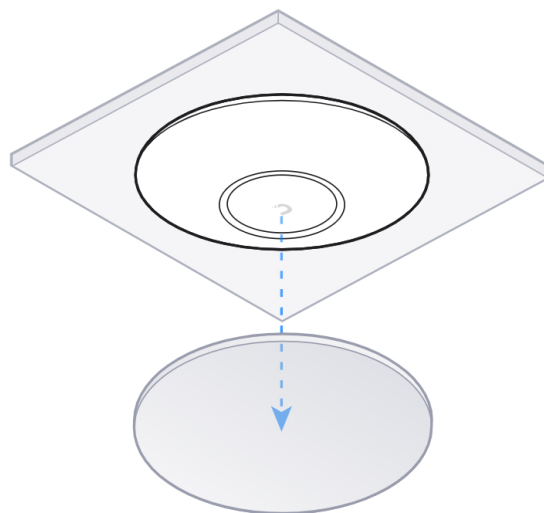
5



6



7



8



A



Internet



UniFi Gateway Console



Switch



PoE



B



Internet



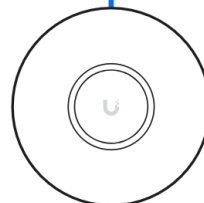
UniFi Gateway Console



Switch

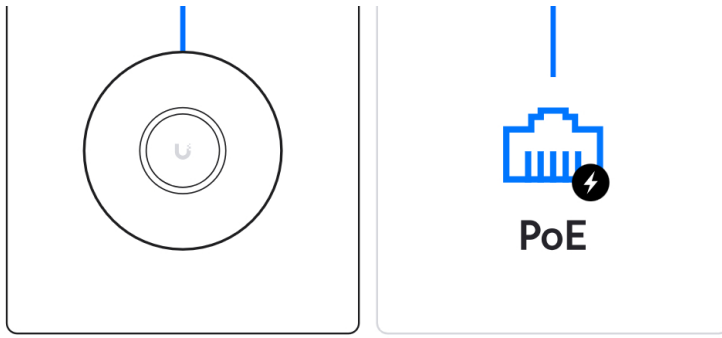


UniFi Access Point

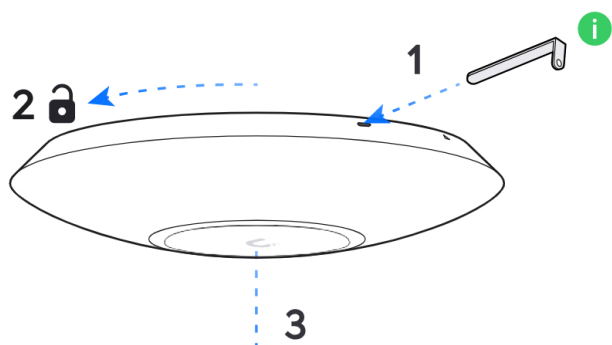
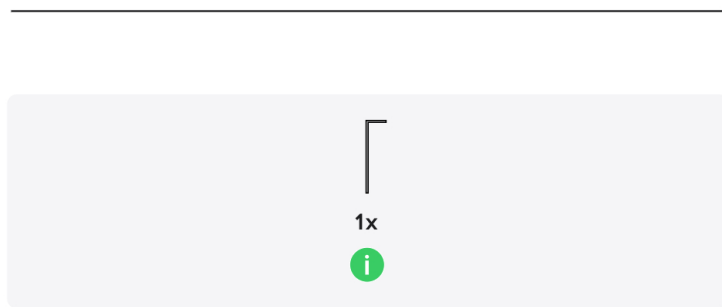
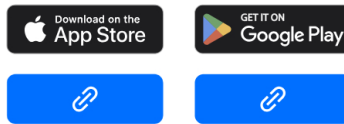


PoE





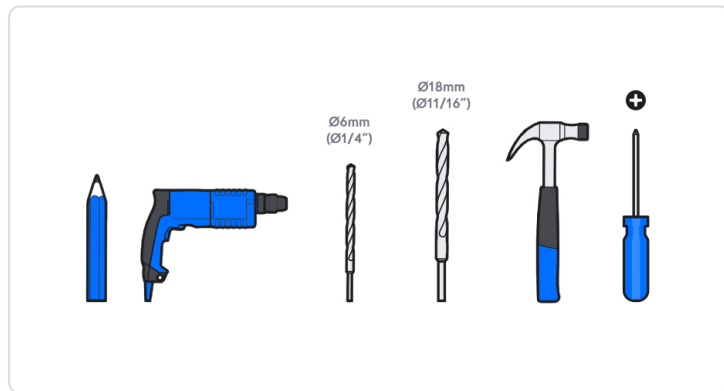
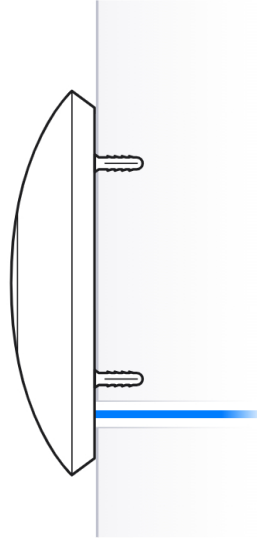
9



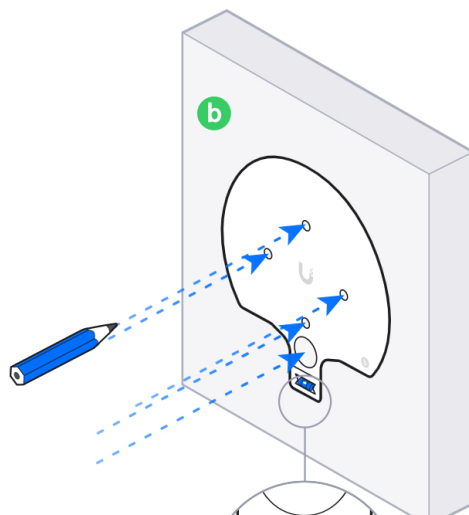
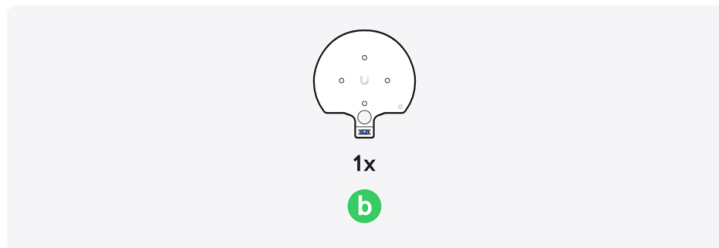


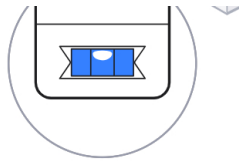
If you need further assistance, visit our [Help Center](#) or contact [Ubiquiti Support](#).

© 2022 Ubiquiti Inc. All rights reserved. Ubiquiti, Ubiquiti Networks, the Ubiquiti U logo, UniFi and UniFi Network are trademarks or registered trademarks of Ubiquiti Inc. in the United States and in other countries. Apple and the Apple logo are trademarks of Apple Inc., registered in the U.S. and other countries. App Store is a service mark of Apple, Inc., registered in the U.S. and other countries. Android, Google, Google Play, the Google Play logo are trademarks of Google LLC. All other trademarks are the property of their respective owners.

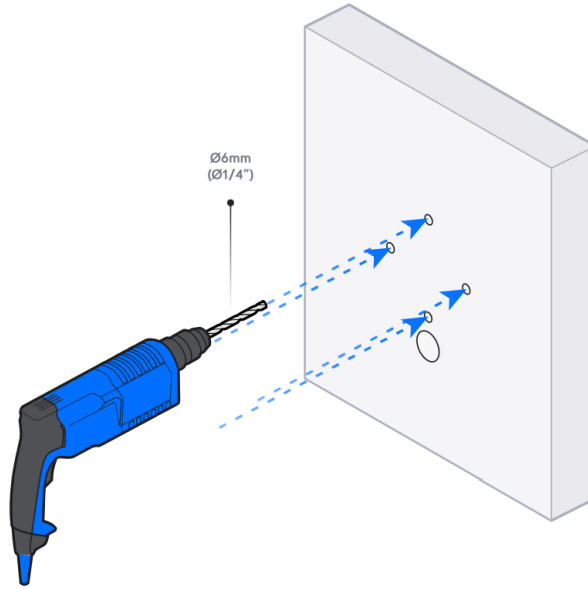


1

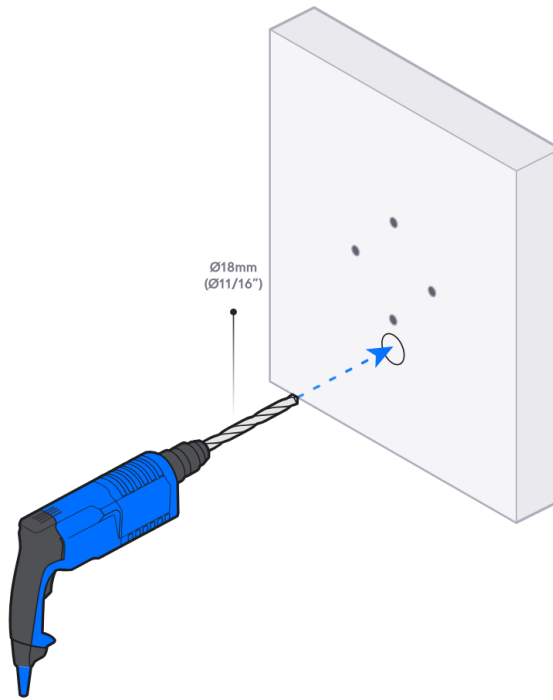




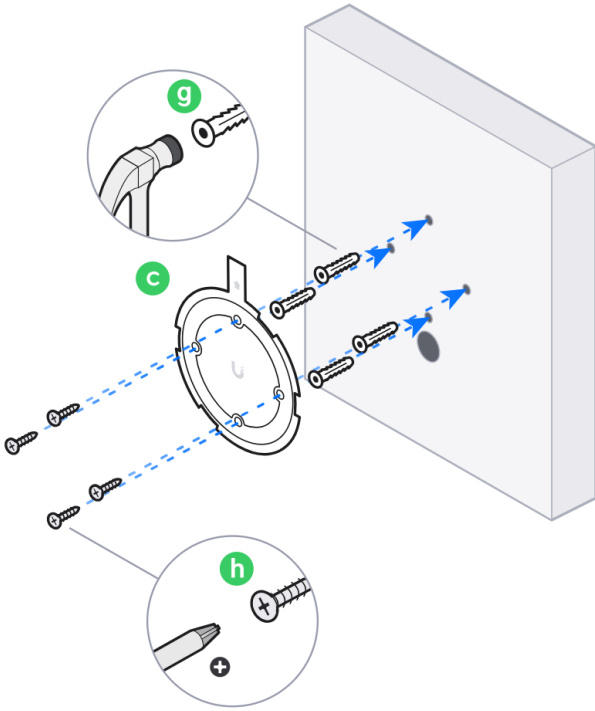
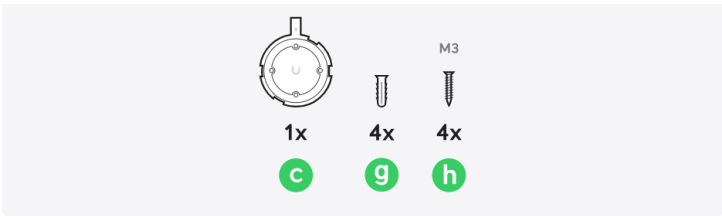
2



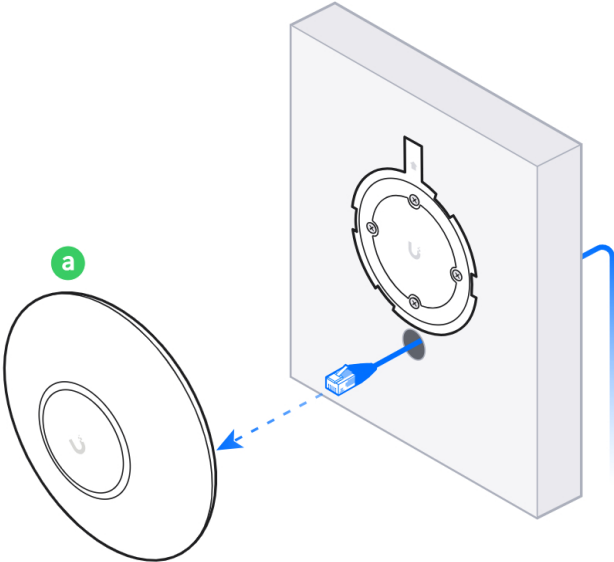
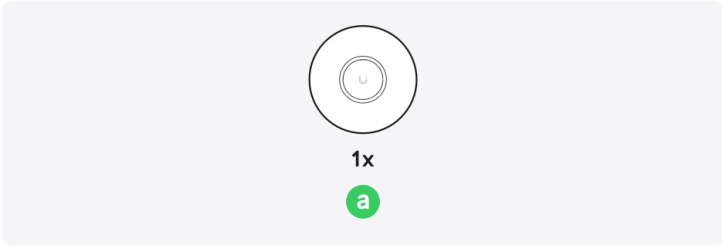
3



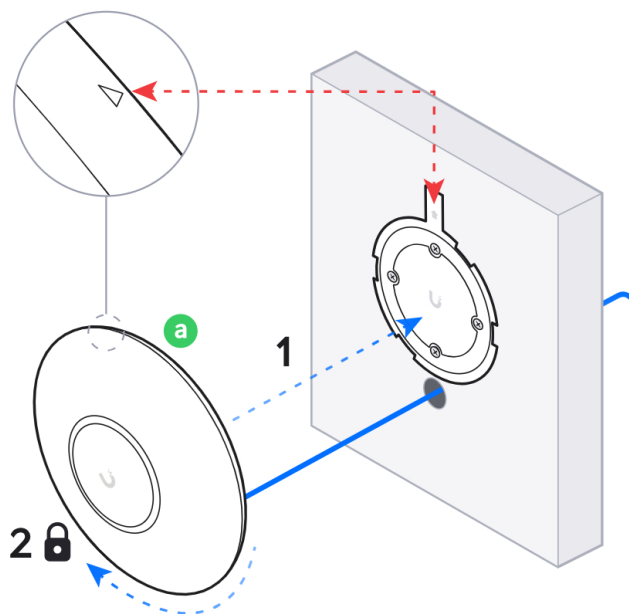
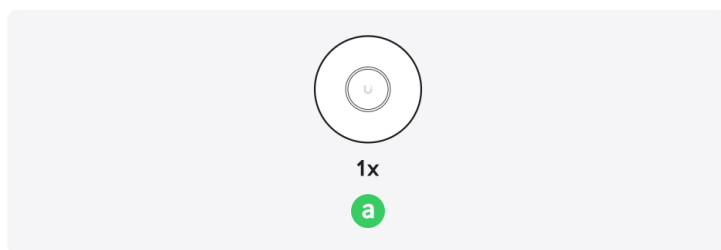
4



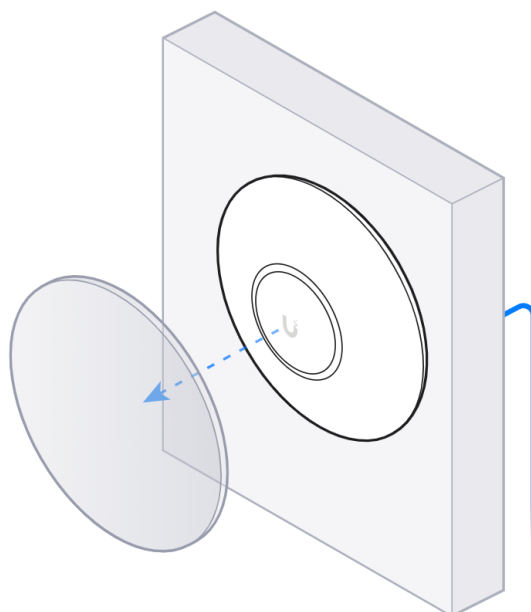
5



6



7



8

A



Internet



UniFi Gateway Console



Switch



PoE



B



Internet



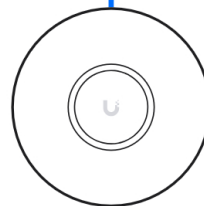
UniFi Gateway Console

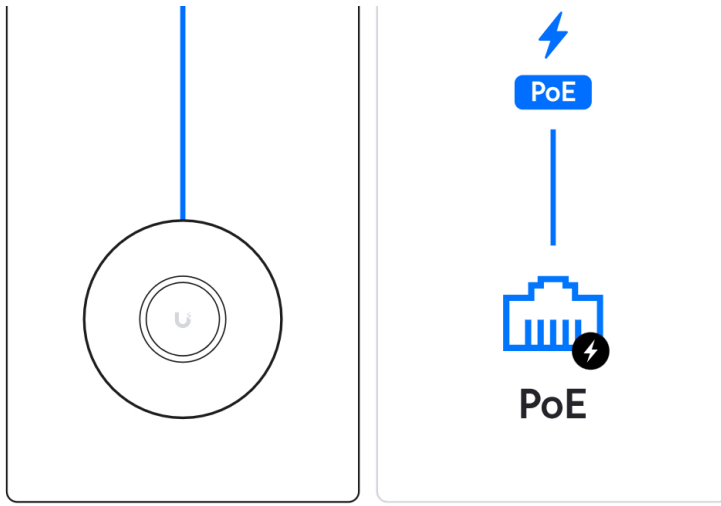


Switch

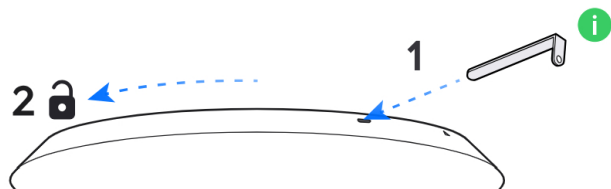
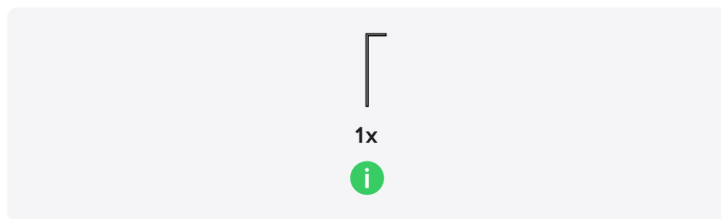
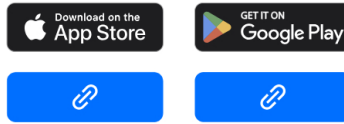


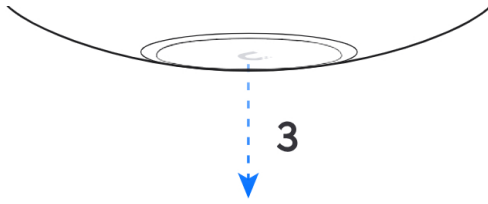
UniFi Access Point





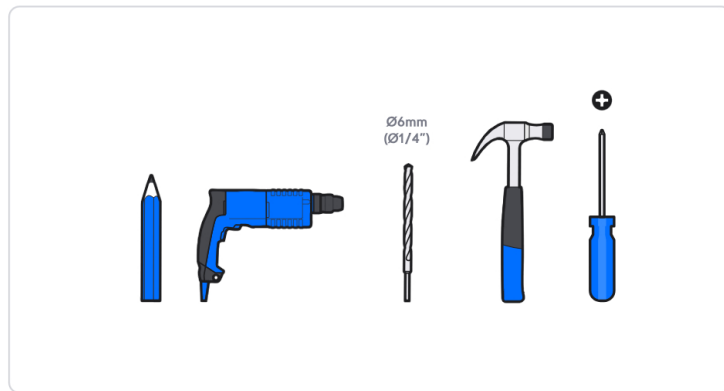
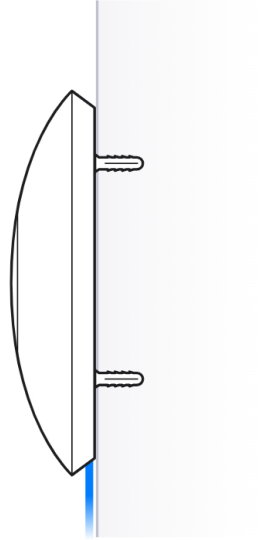
9



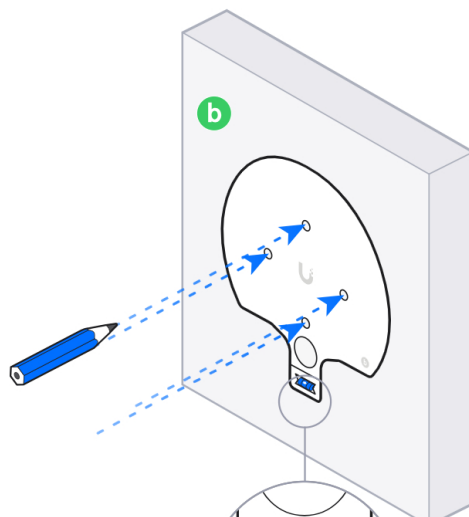
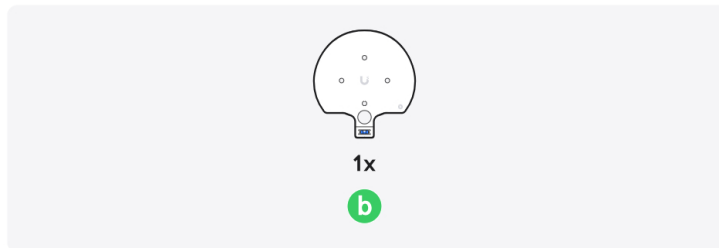


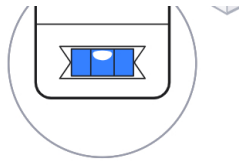
If you need further assistance, visit our [Help Center](#) or contact [Ubiquiti Support](#).

©2022 Ubiquiti Inc. All rights reserved. Ubiquiti, Ubiquiti Networks, the Ubiquiti U logo, UniFi and UniFi Network are trademarks or registered trademarks of Ubiquiti Inc., in the United States and in other countries. Apple and the Apple logo are trademarks of Apple Inc., registered in the U.S. and other countries. App Store is a service mark of Apple, Inc., registered in the U.S. and other countries. Android, Google, Google Play, the Google Play logo are trademarks of Google LLC. All other trademarks are the property of their respective owners.

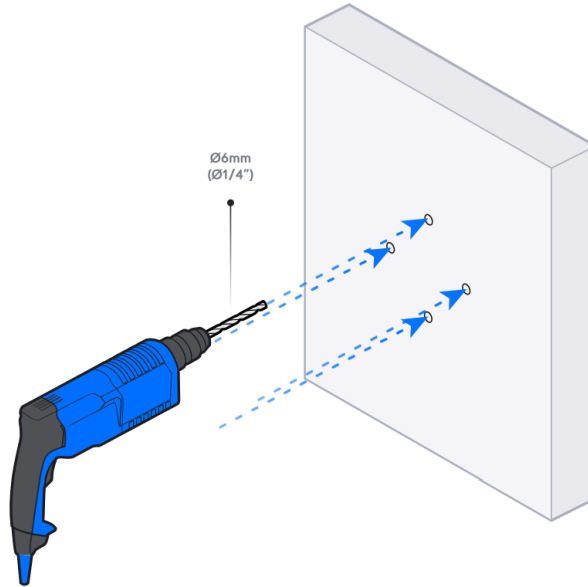


1

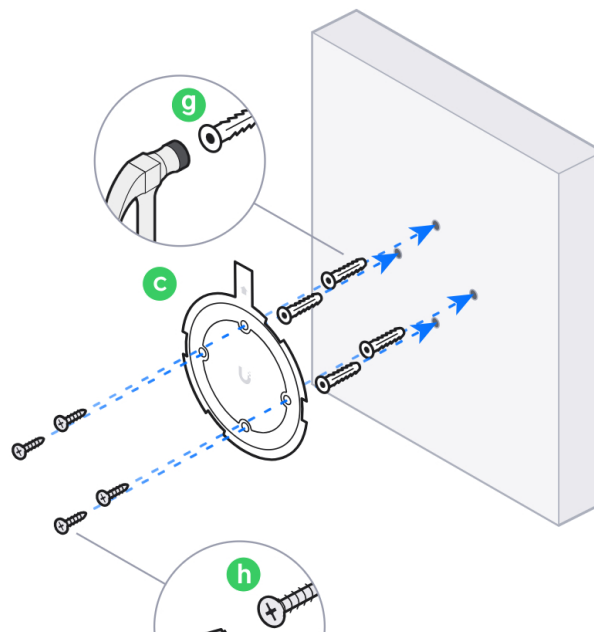
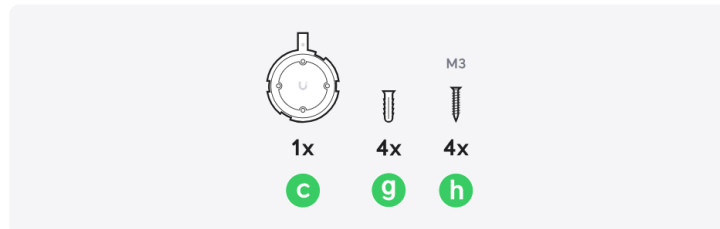




2

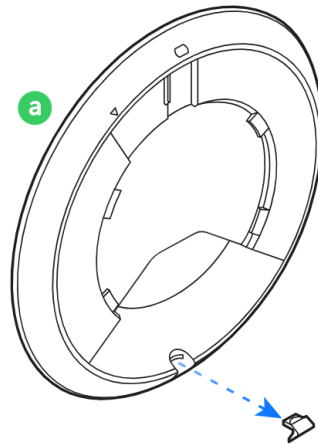
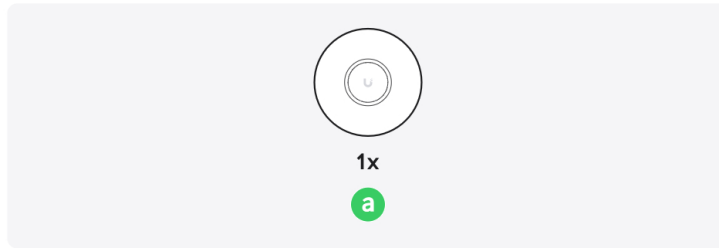


3

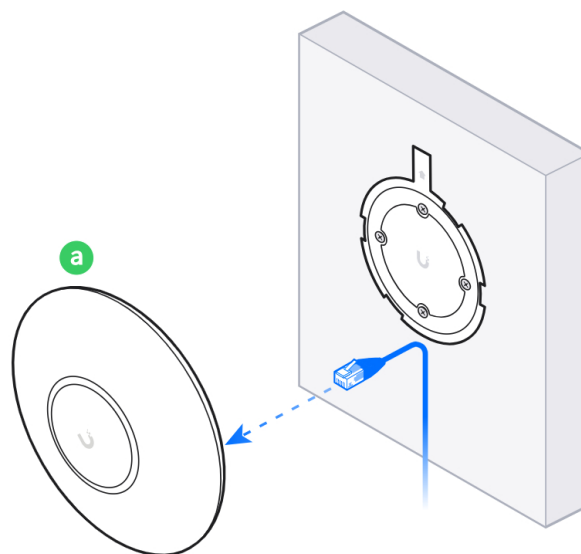
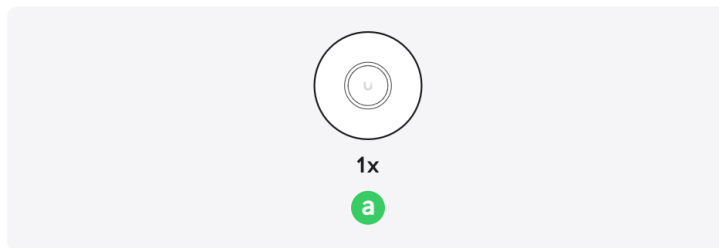




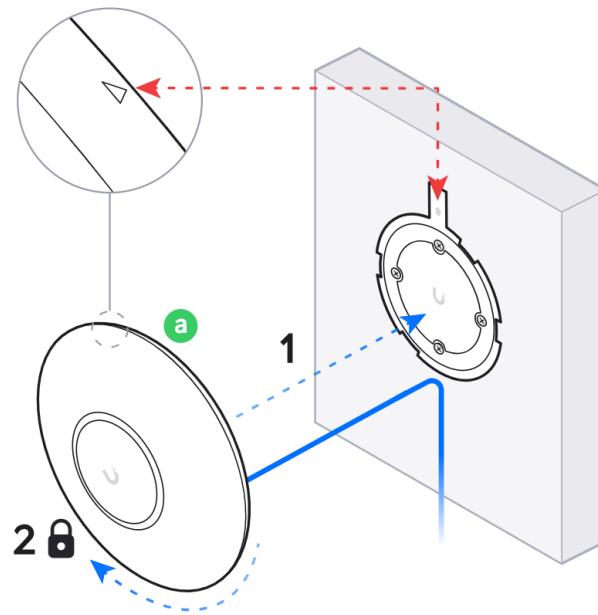
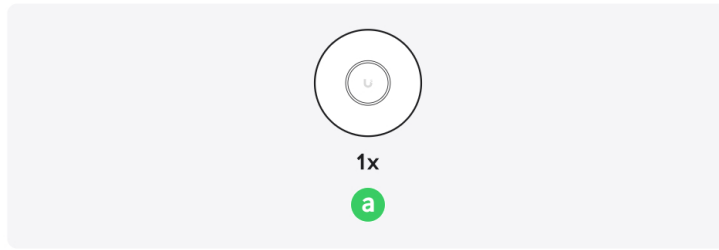
4



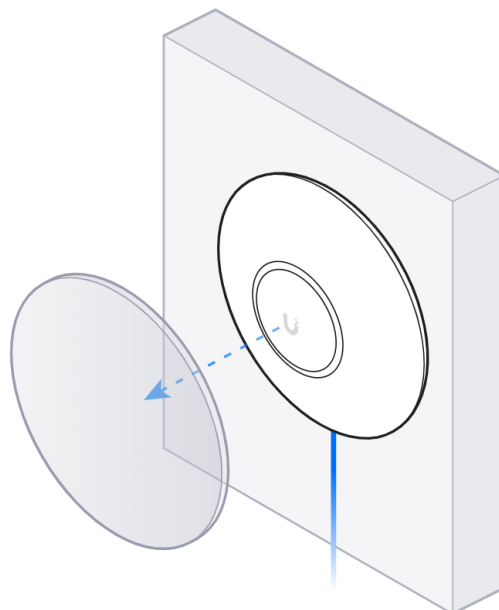
5



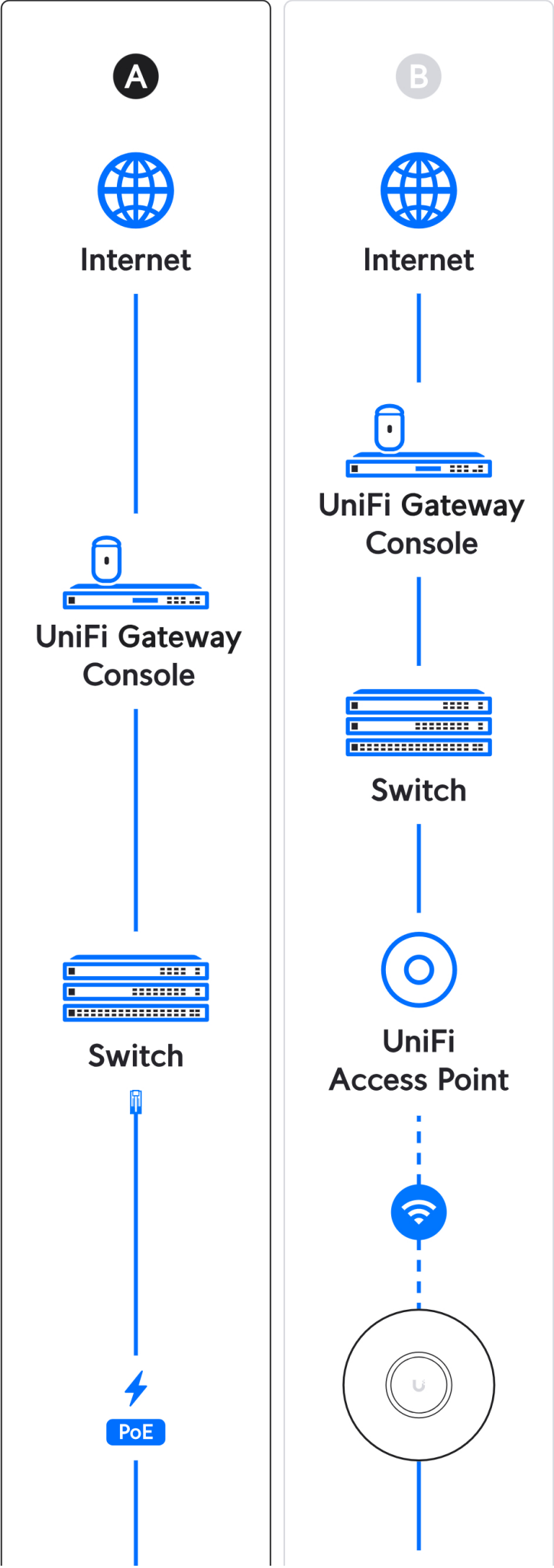
6

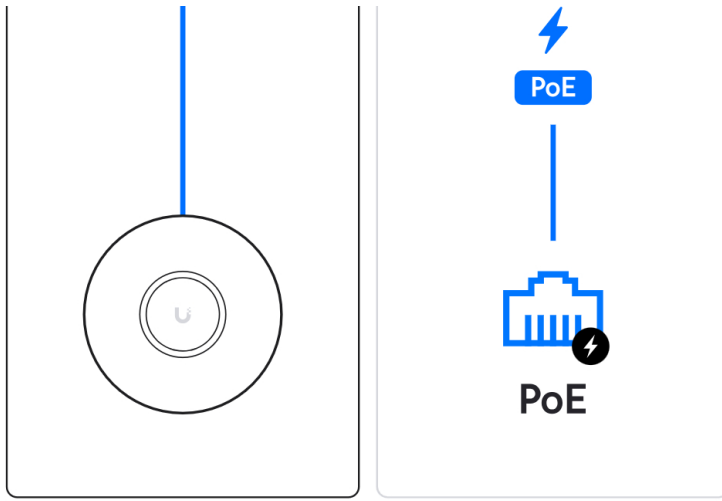


7

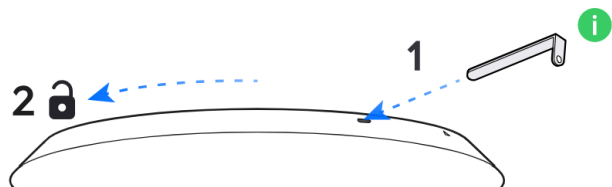
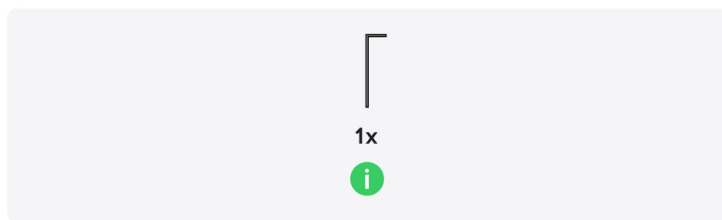
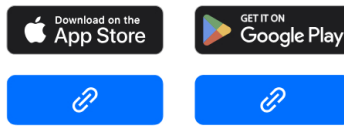


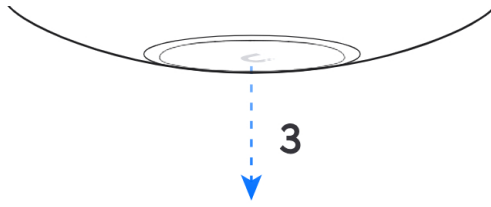
8





9





If you need further assistance, visit our [Help Center](#) or contact [Ubiquiti Support](#).

©2022 Ubiquiti Inc. All rights reserved. Ubiquiti, Ubiquiti Networks, the Ubiquiti U logo, UniFi and UniFi Network are trademarks or registered trademarks of Ubiquiti Inc., in the United States and in other countries. Apple and the Apple logo are trademarks of Apple Inc., registered in the U.S. and other countries. App Store is a service mark of Apple, Inc., registered in the U.S. and other countries. Android, Google, Google Play, the Google Play logo are trademarks of Google LLC. All other trademarks are the property of their respective owners.