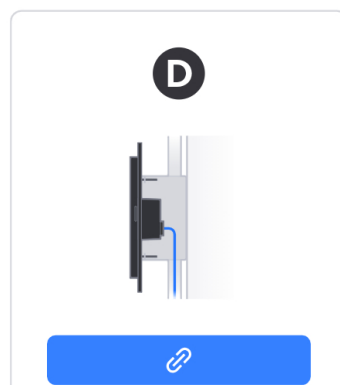
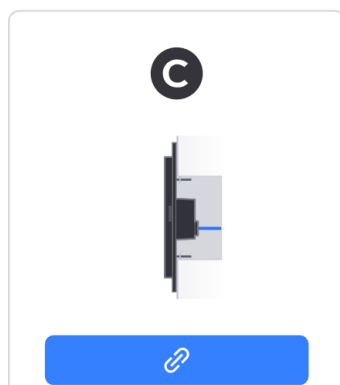
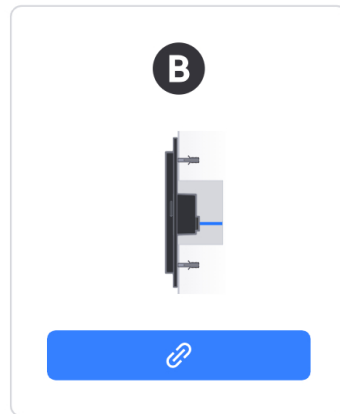
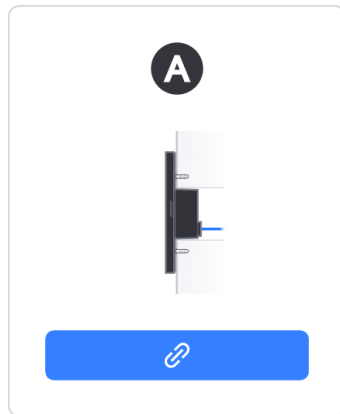
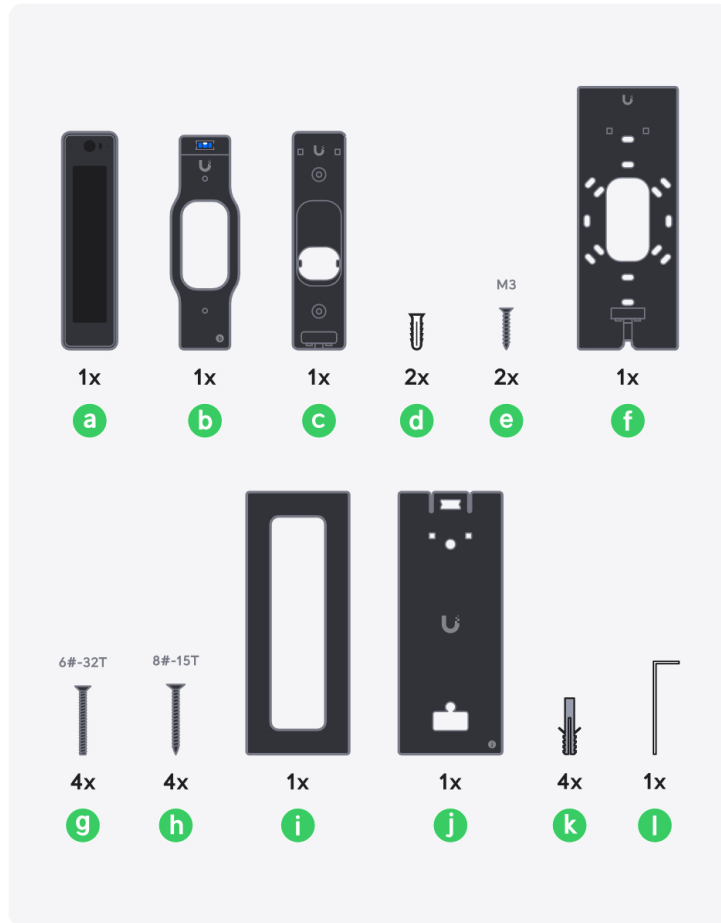
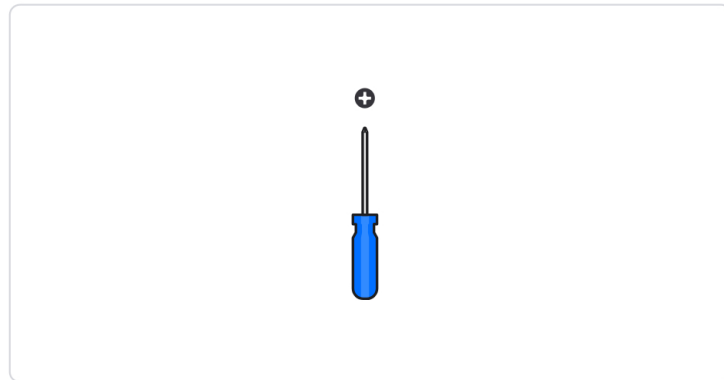
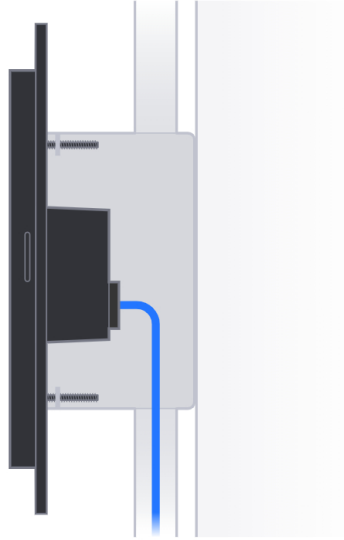




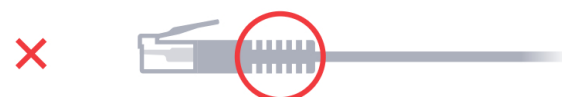
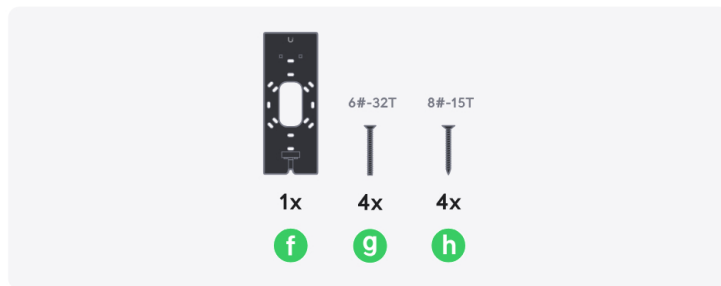
## G2 Reader Pro

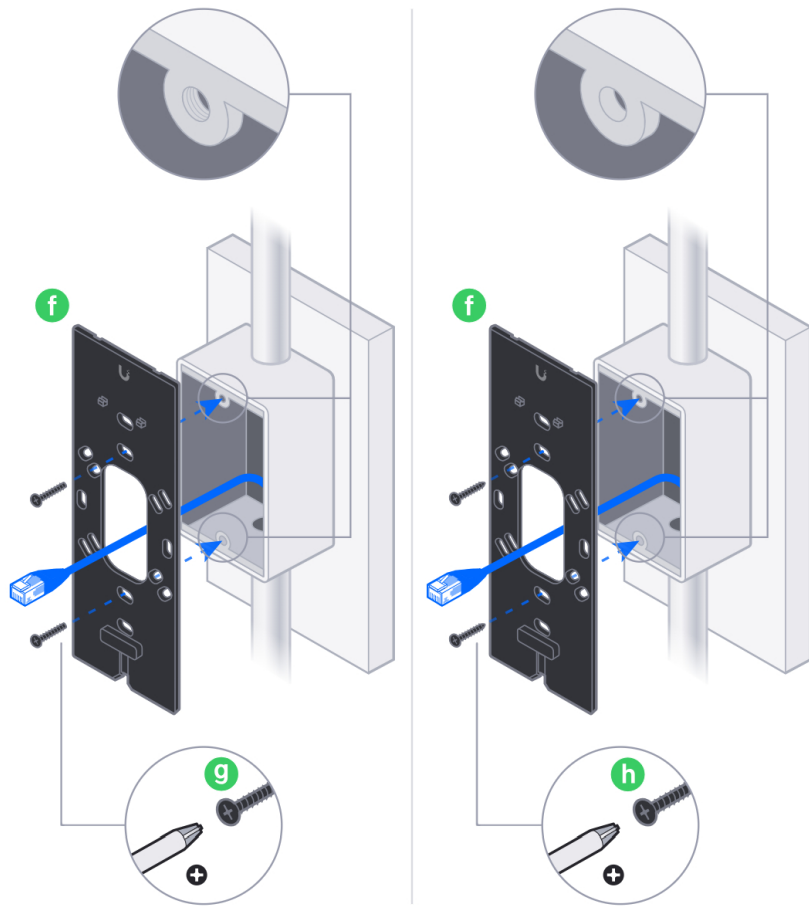




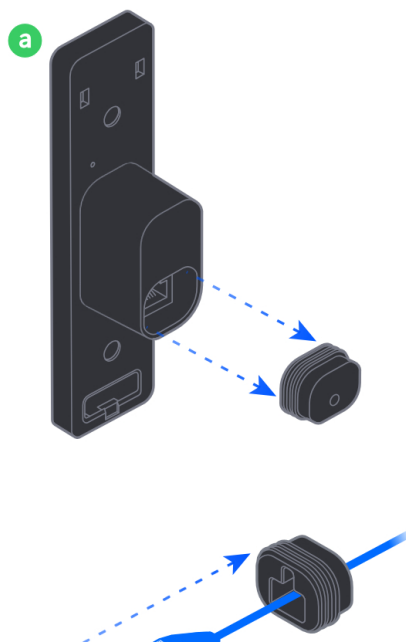
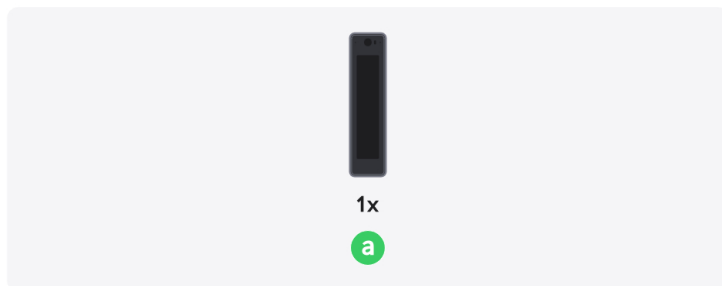


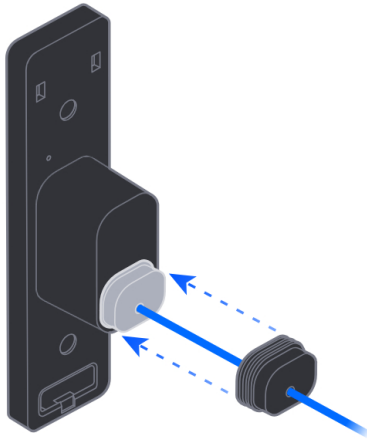
1



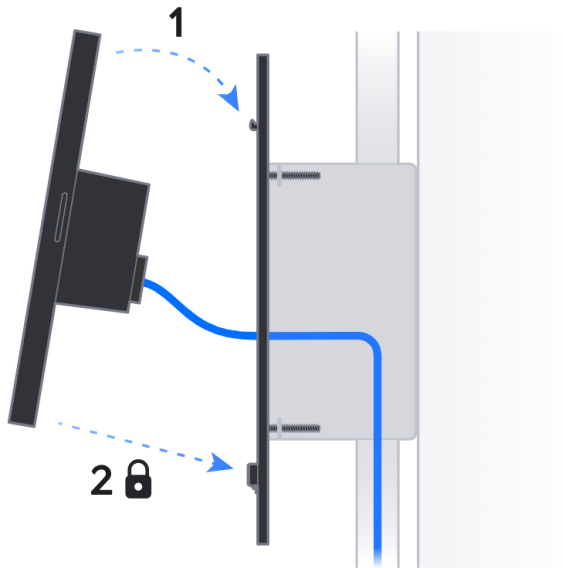


2

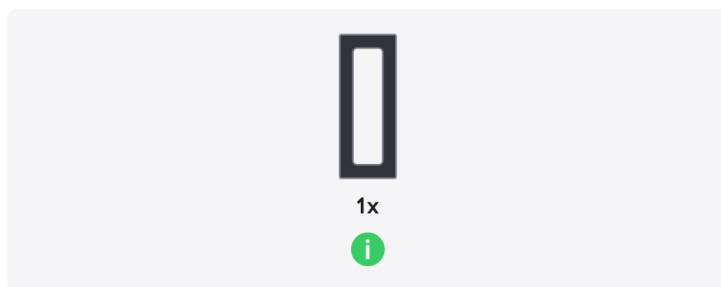


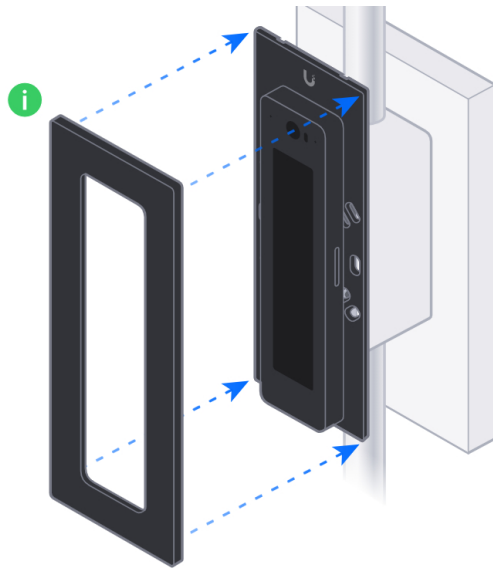


**3**

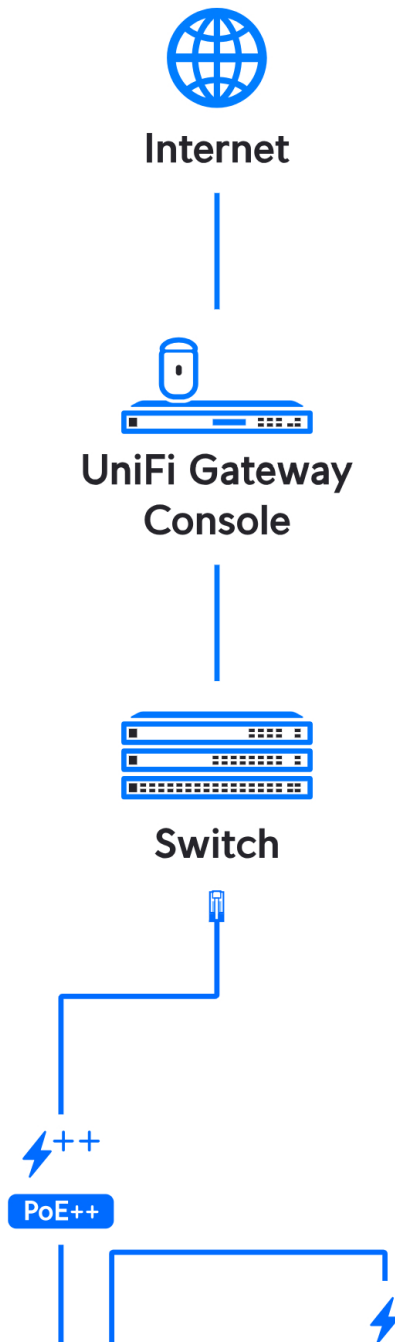


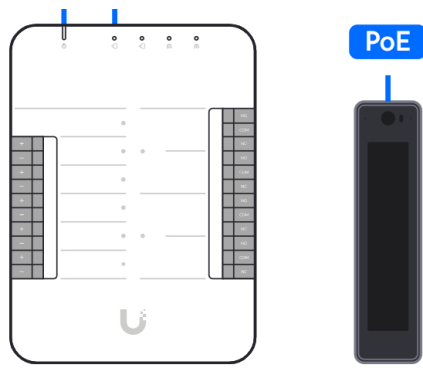
**4**



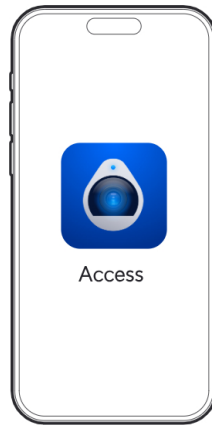
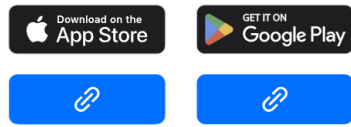


5

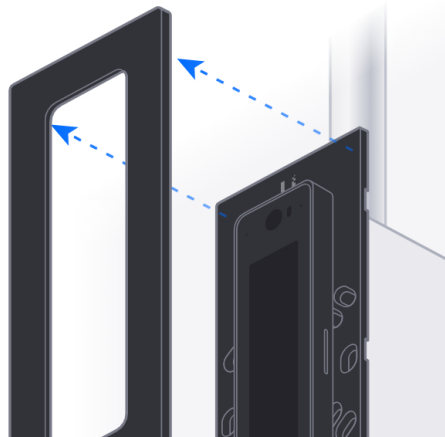


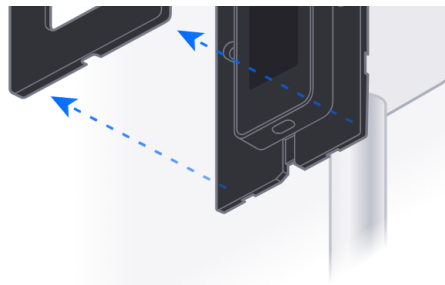


6

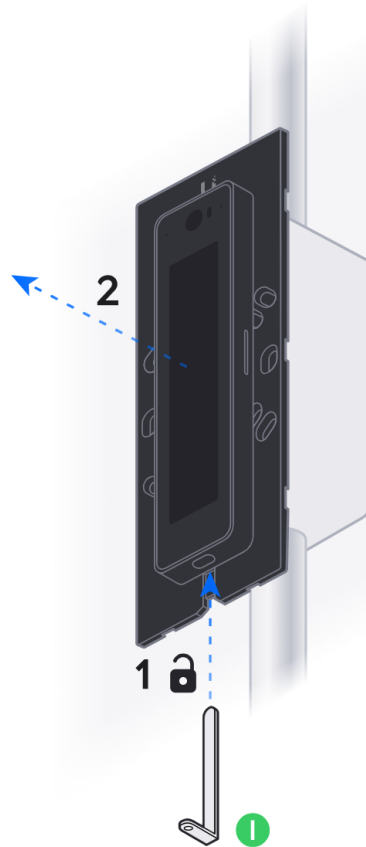
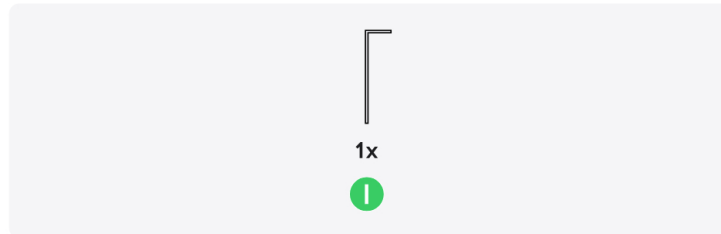


1



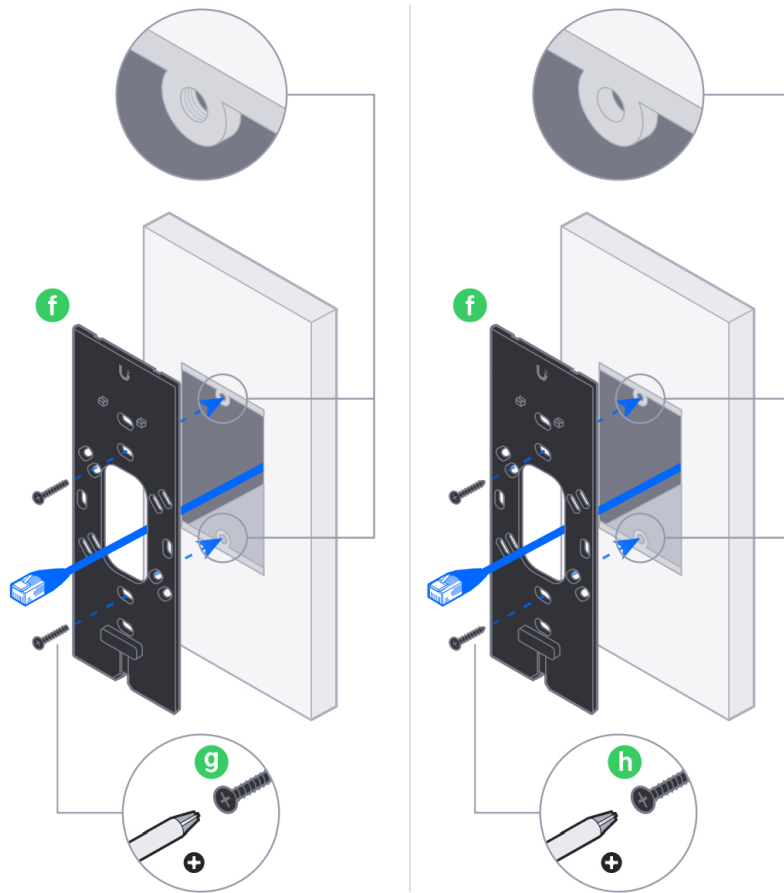


# 2

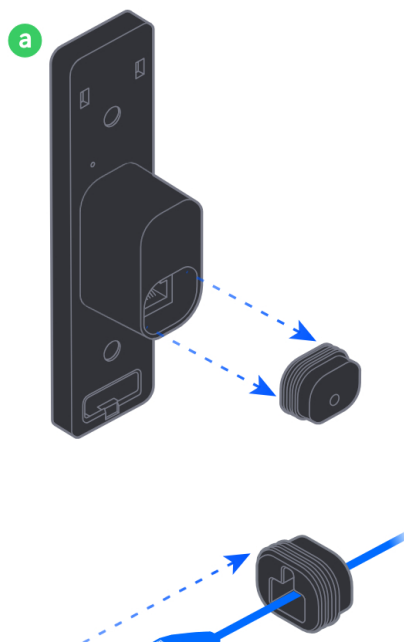
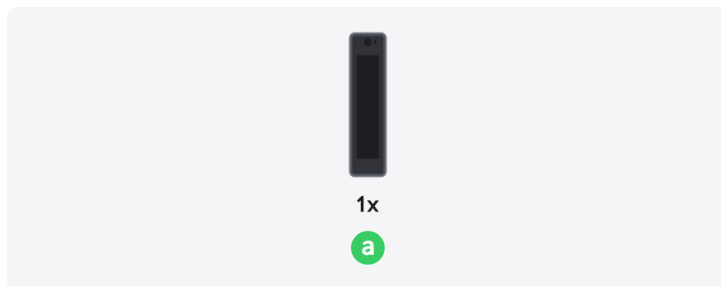


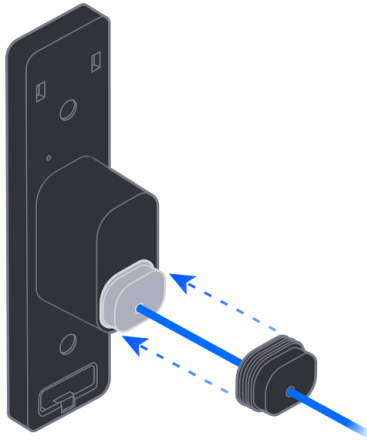
If you need further assistance, visit our [Help Center](#) or contact [Ubiquiti Support](#).



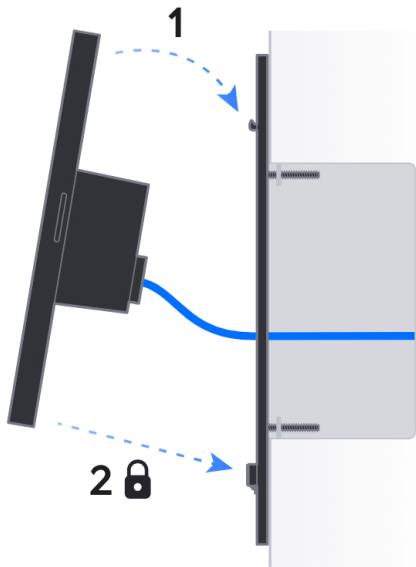


2

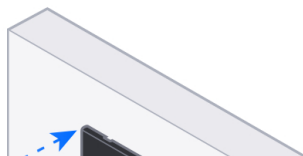
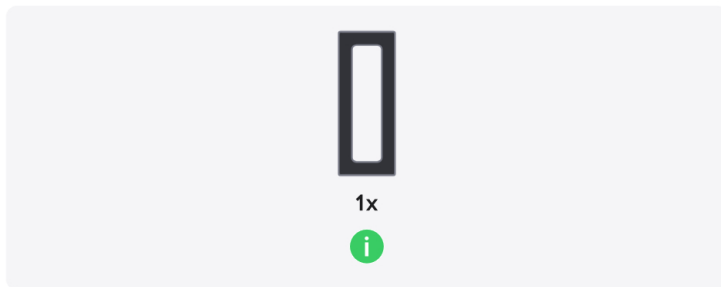


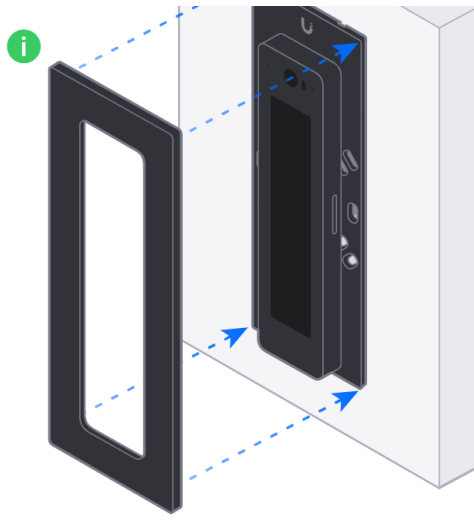


**3**

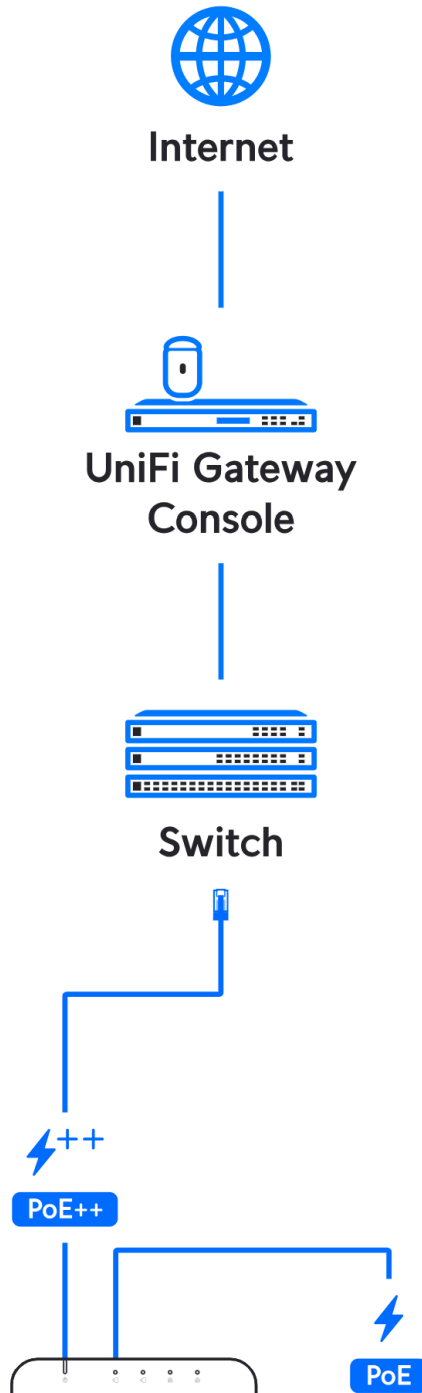


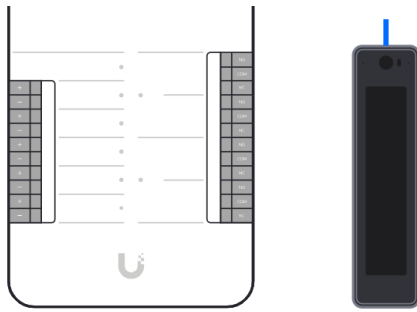
**4**



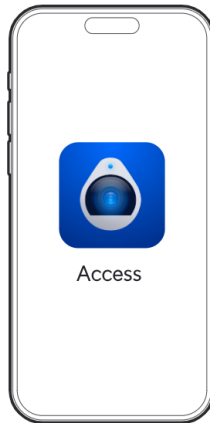
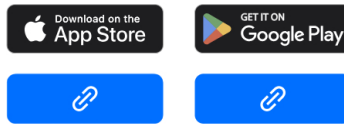


5

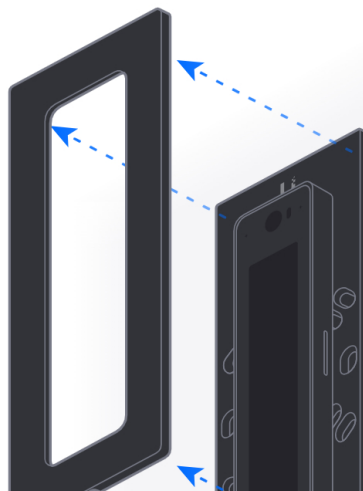


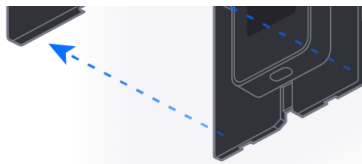


6



1

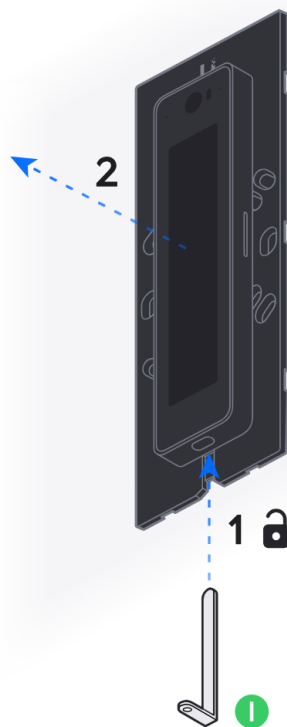




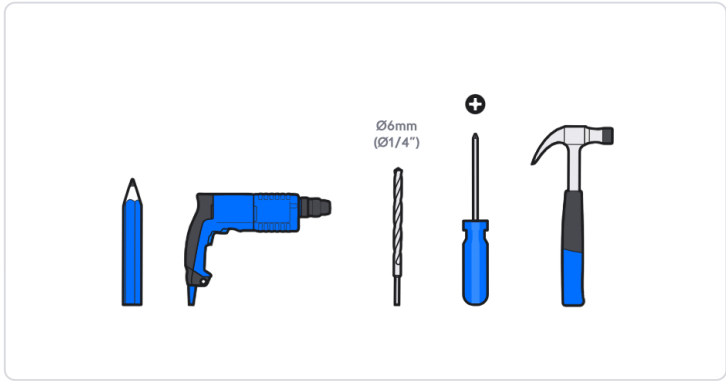
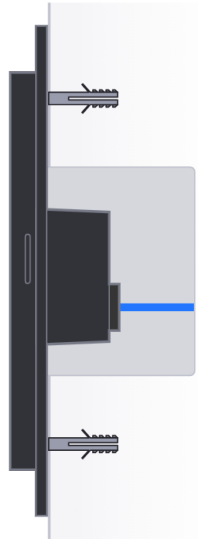
# 2



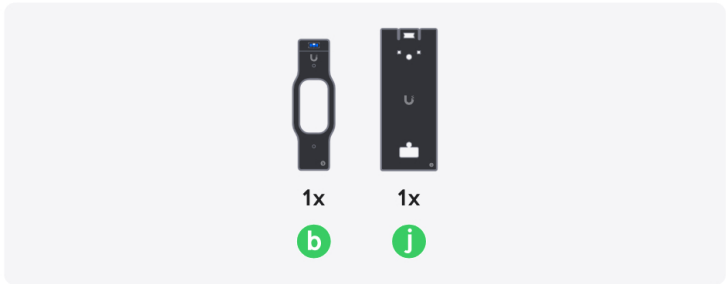
1x

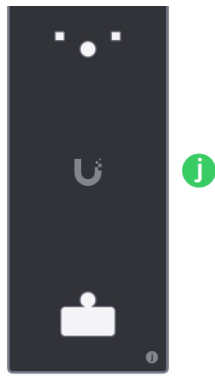


If you need further assistance, visit our [Help Center](#) or contact [Ubiquiti Support](#).

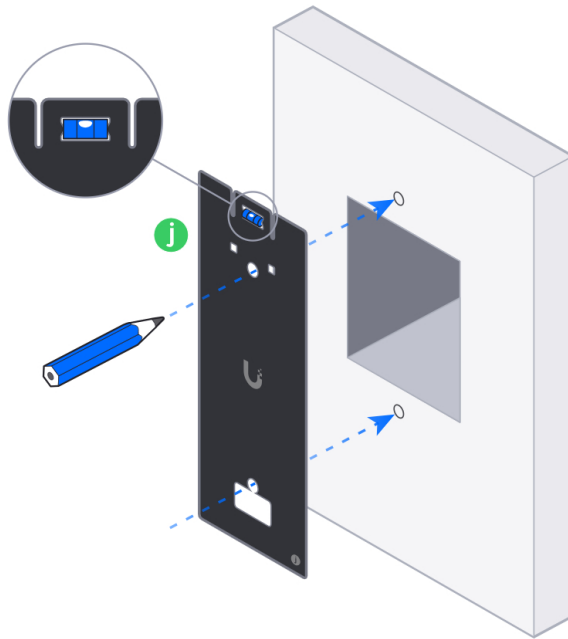
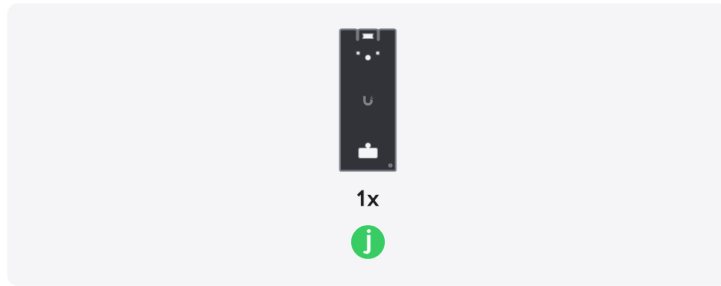


1

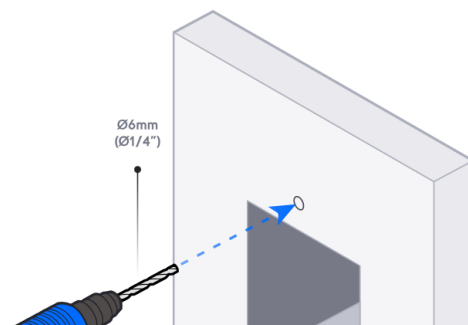


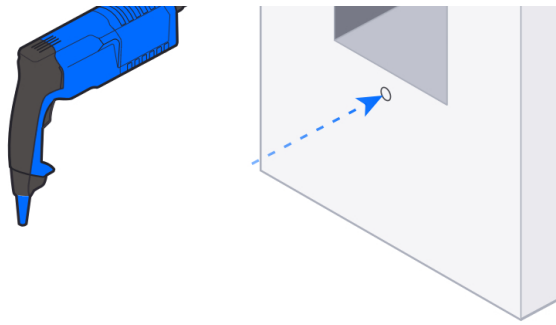


2

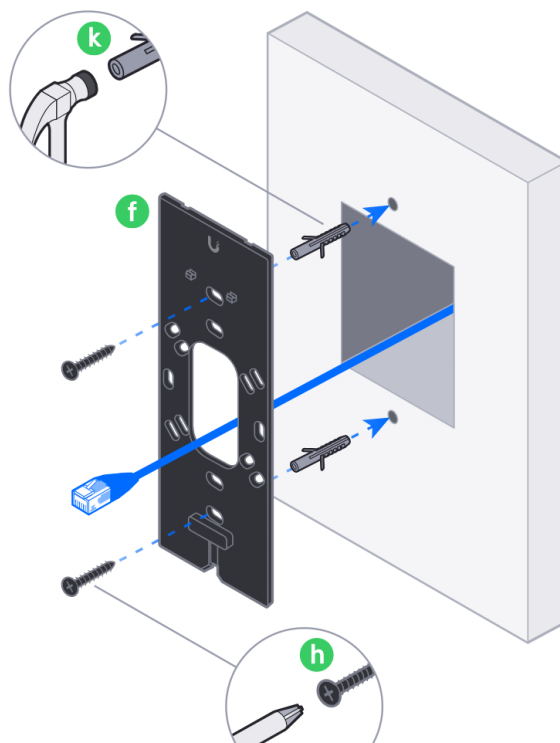
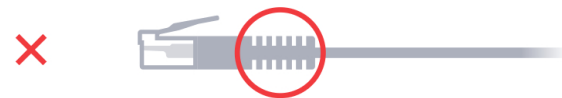
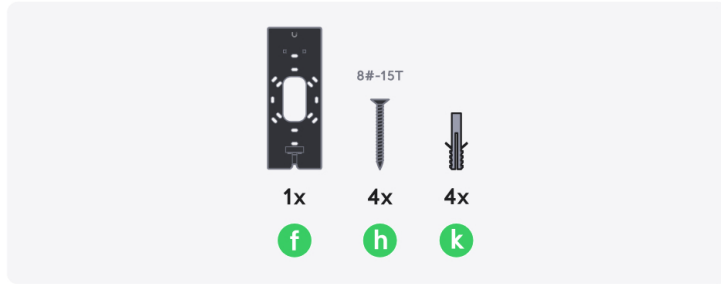


3



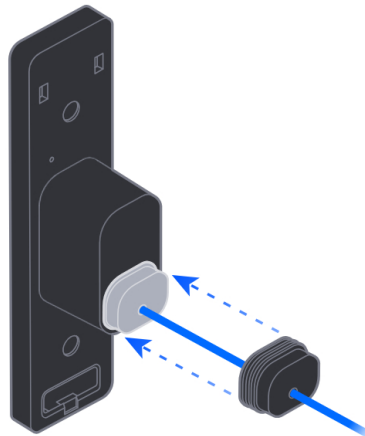
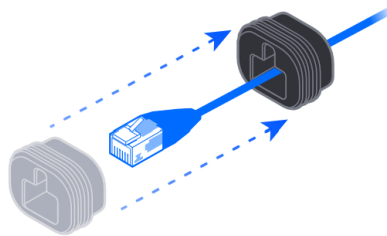
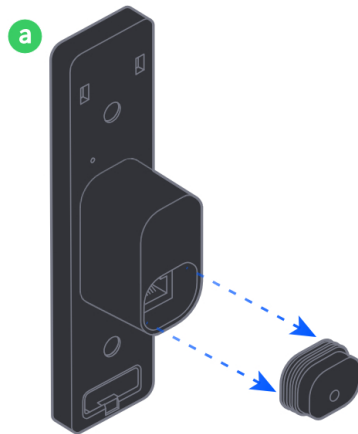
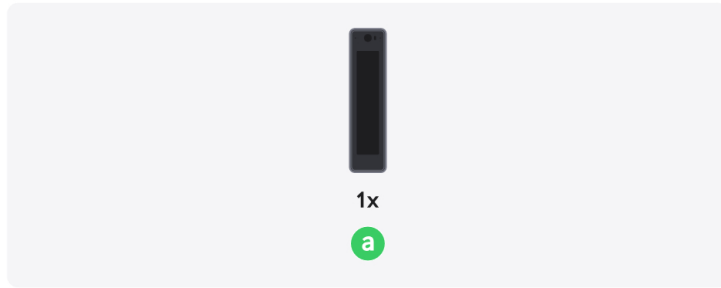


4



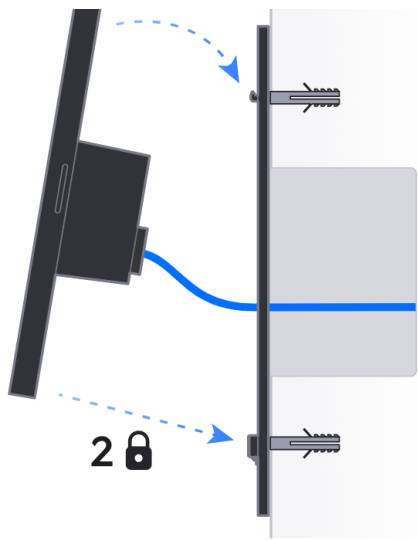


# 5

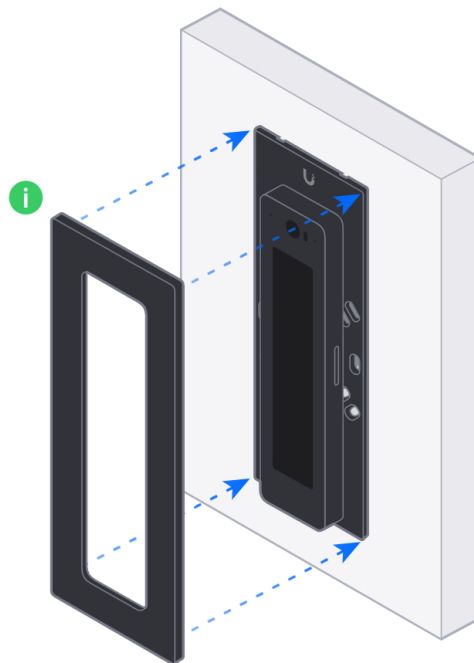
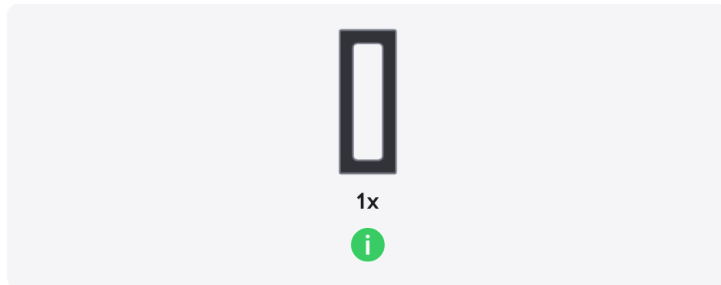


# 6





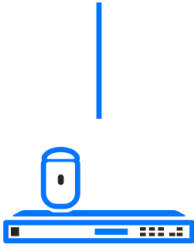
7



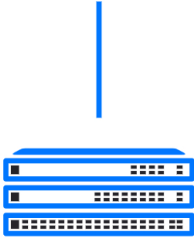
8



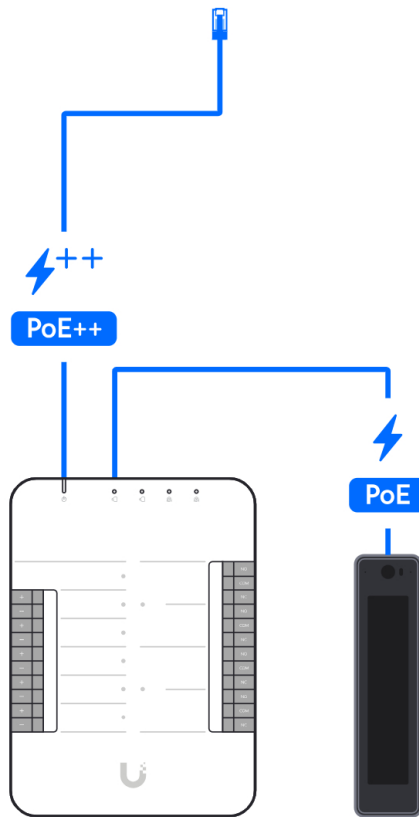
Internet



UniFi Gateway  
Console

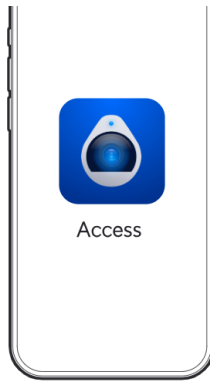


Switch

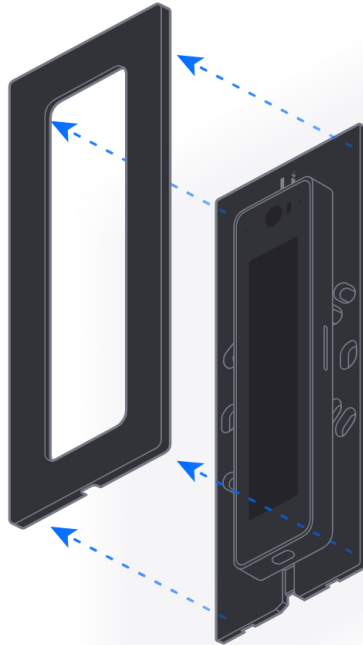


9

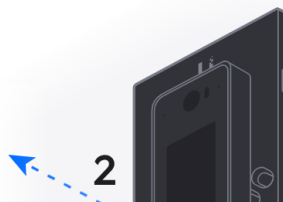
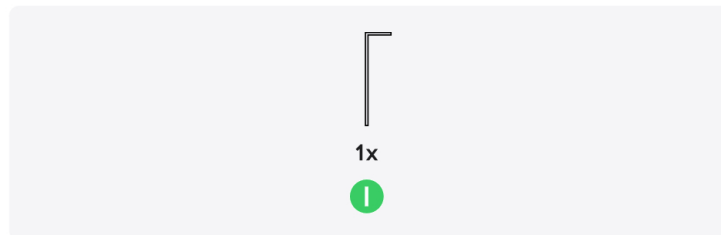


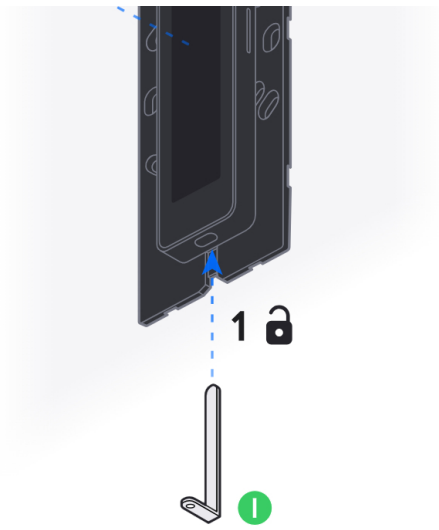


**1**



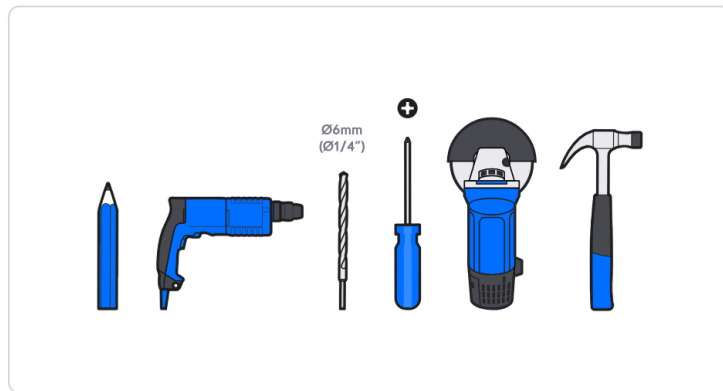
**2**



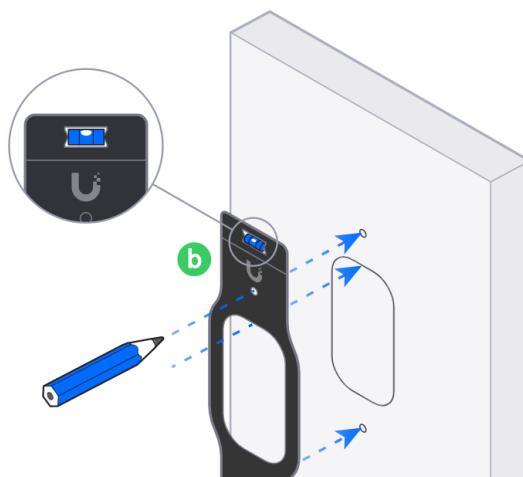
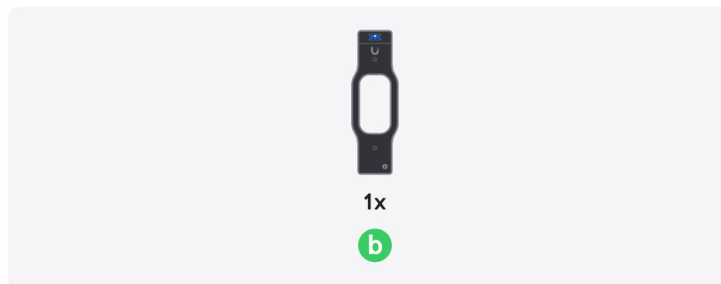


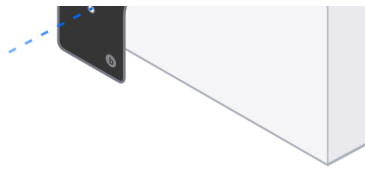
If you need further assistance, visit our [Help Center](#) or contact [Ubiquiti Support](#).

©2023 Ubiquiti Inc. All rights reserved. Ubiquiti, Ubiquiti Networks, the Ubiquiti U logo, UniFi Access, and UniFi are trademarks of Ubiquiti Inc. in the United States and in other countries. App Store and the Apple logo are trademarks of Apple Inc., registered in the U.S. and other countries. Google Play and the Google Play logo are trademarks of Google LLC. All other trademarks are the property of their respective owners.

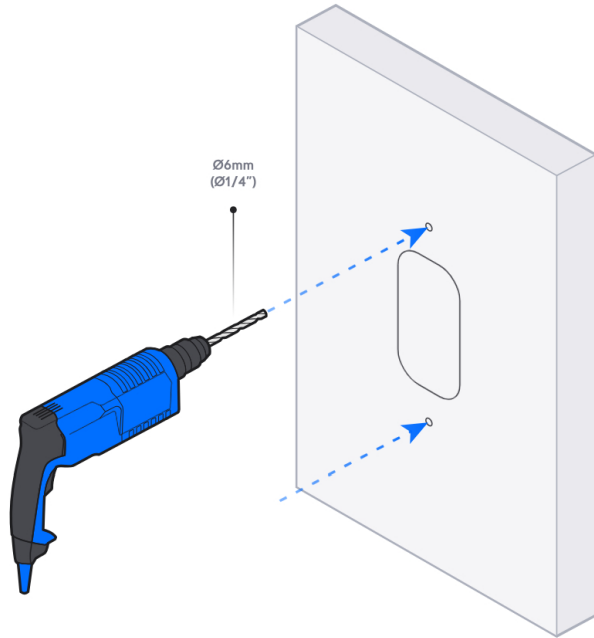


1

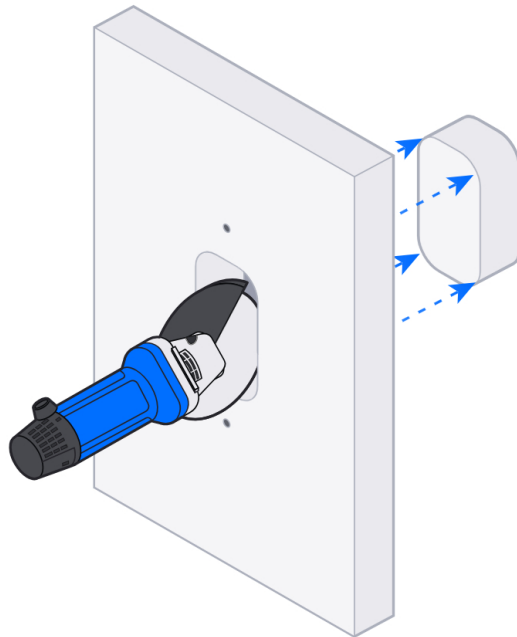




2



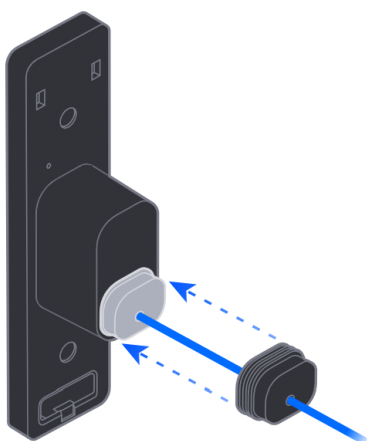
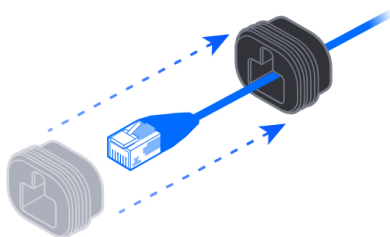
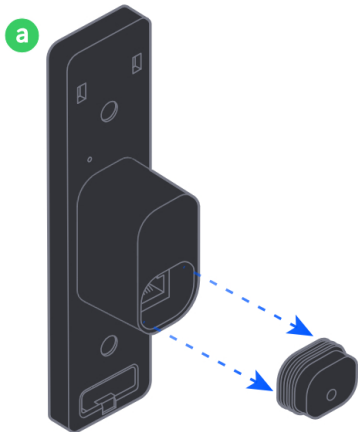
3



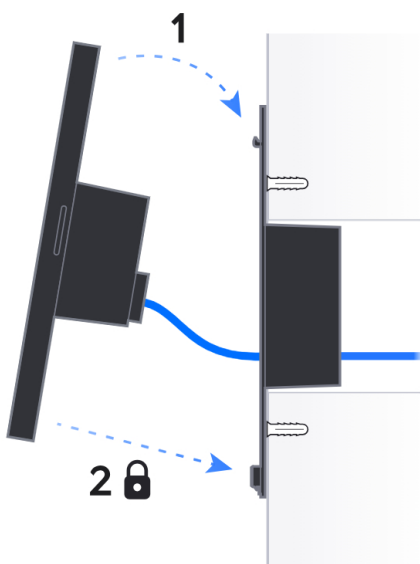
4

---

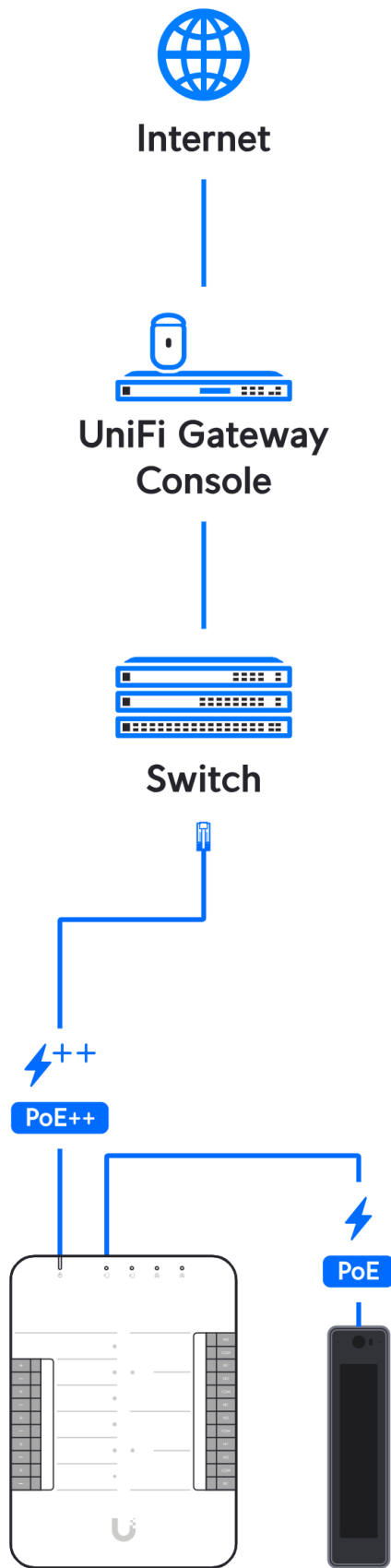




**6**



7



8

