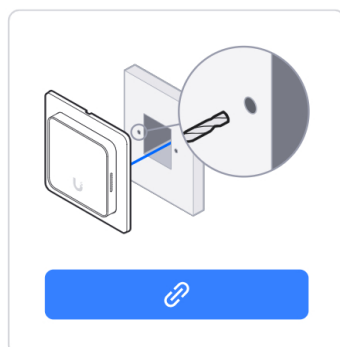
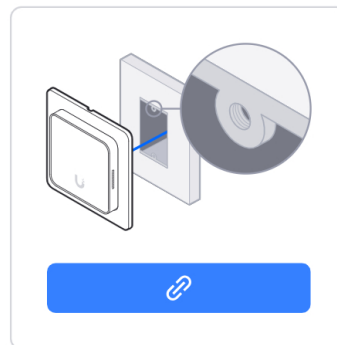
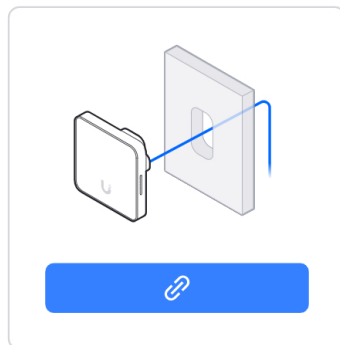
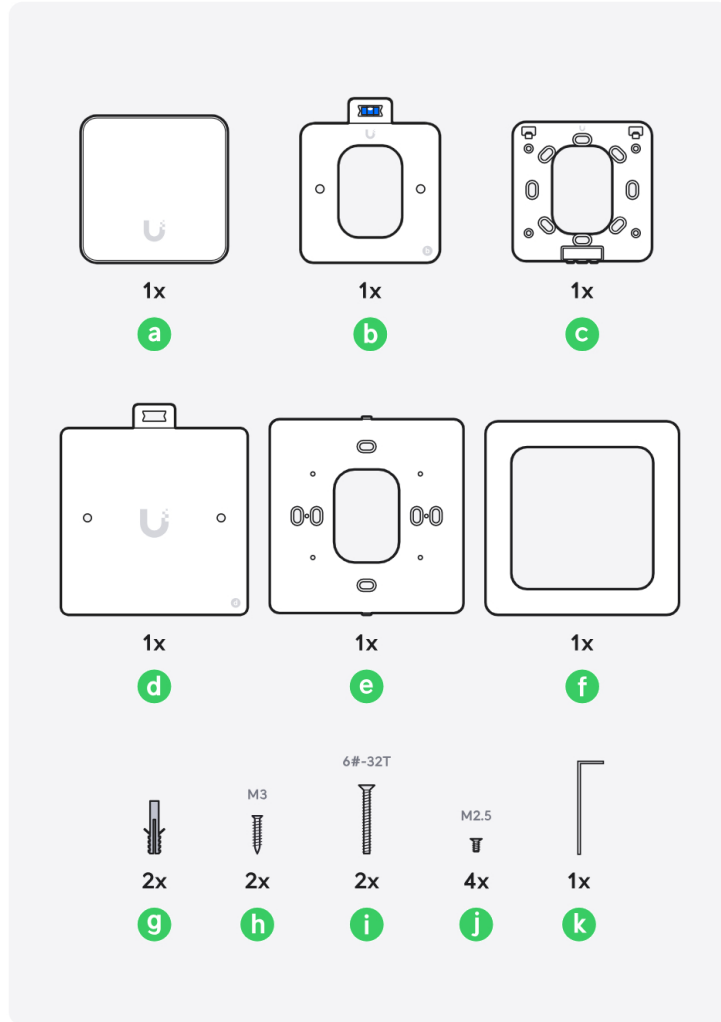
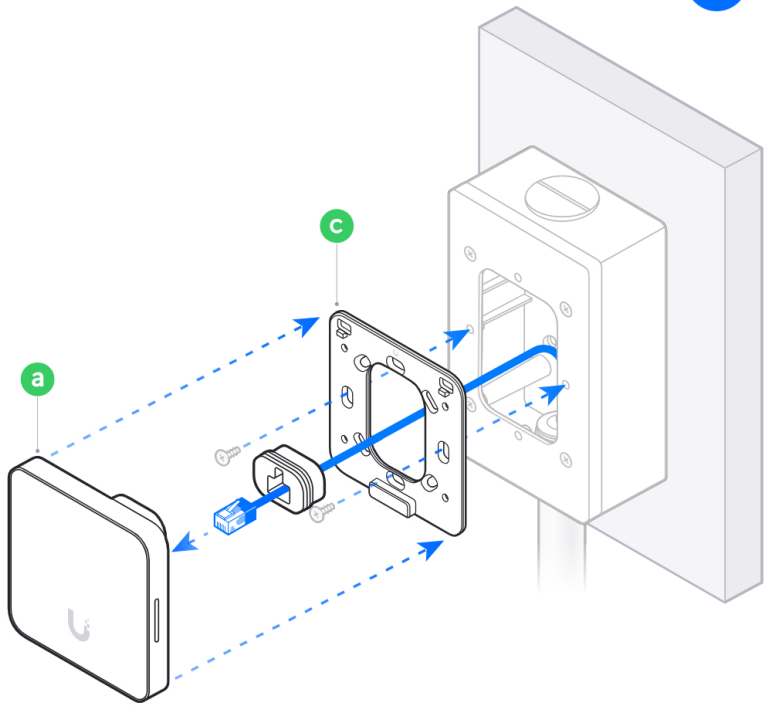




G3 Reader Flex





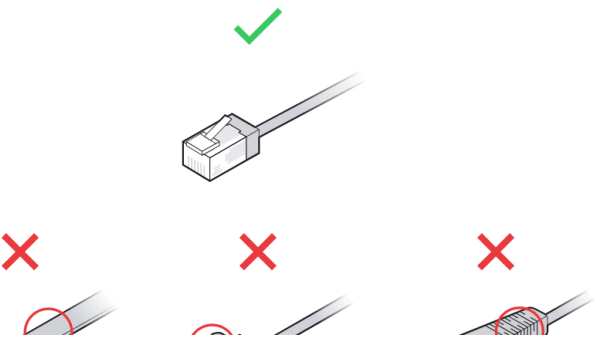
Reader Junction Box
[Buy >](#)

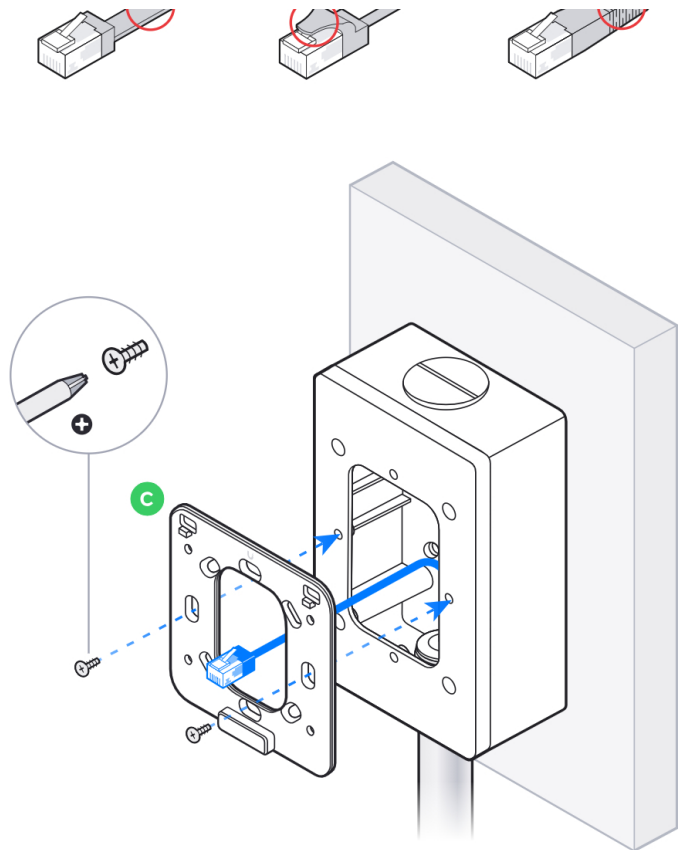
A product image showing the Reader Junction Box and a blue screwdriver with a black handle and a silver tip. A small black circle with a white plus sign is positioned above the screwdriver.

1

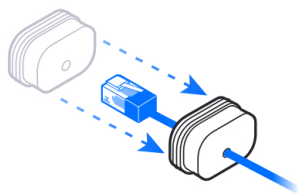
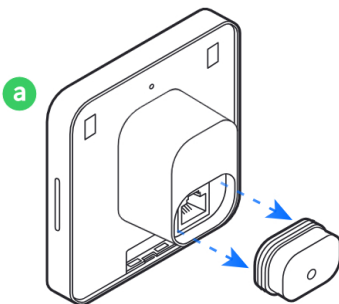
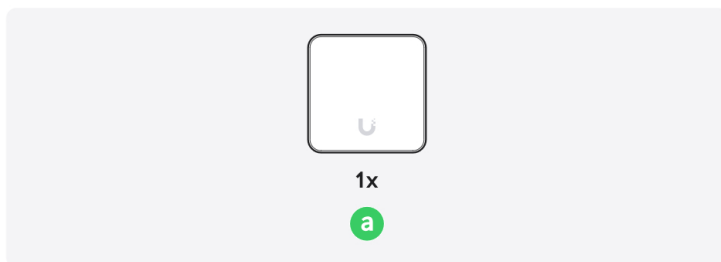
1x
c

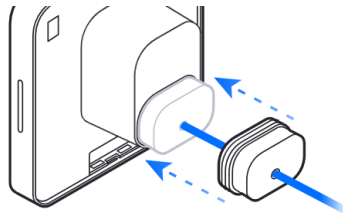
A top-down view of the Reader Junction Box, showing its rectangular shape and various ports. Below the image, the text "1x" and a green circle with the letter "c" are displayed.



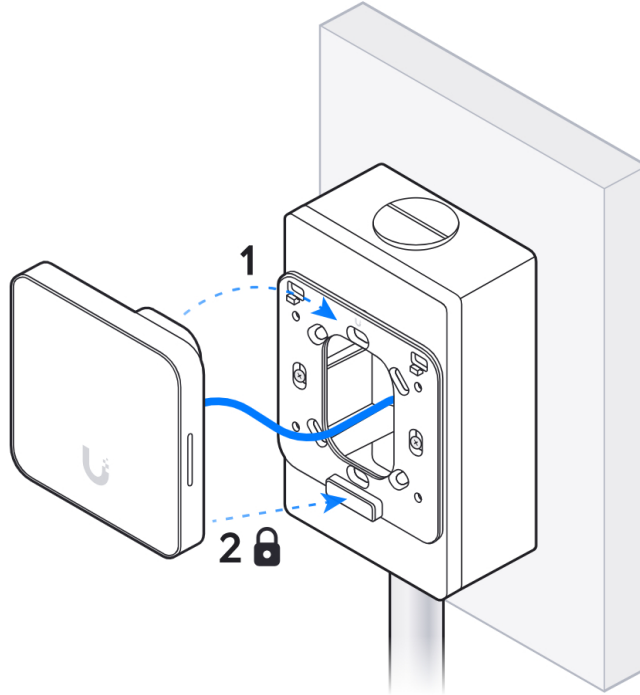


2





3

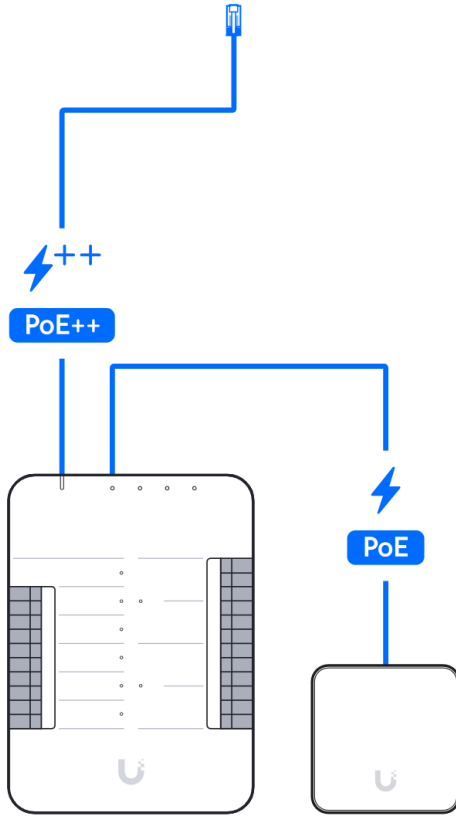


4

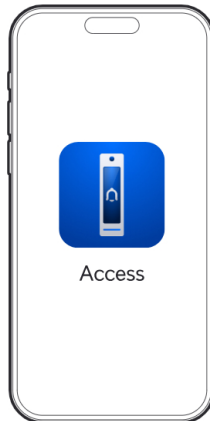


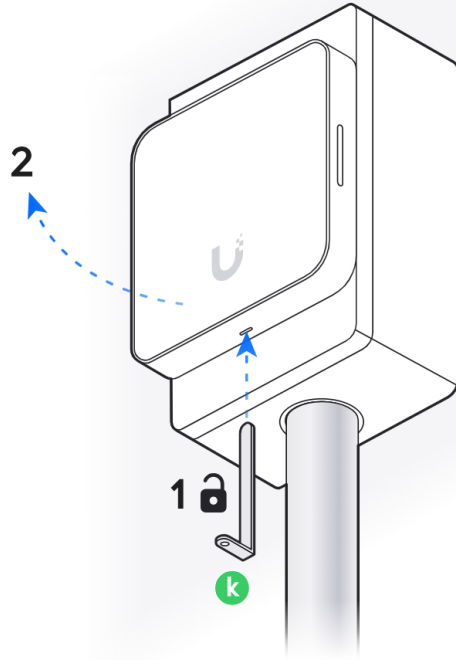
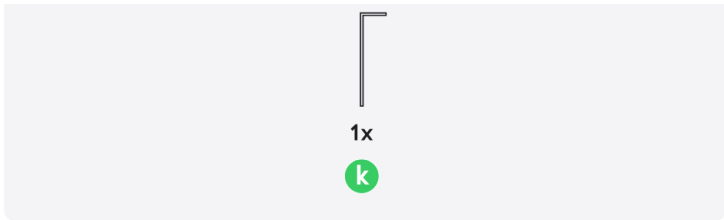


Switching



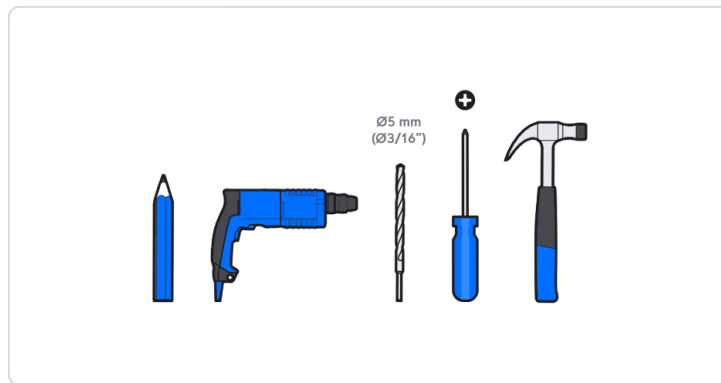
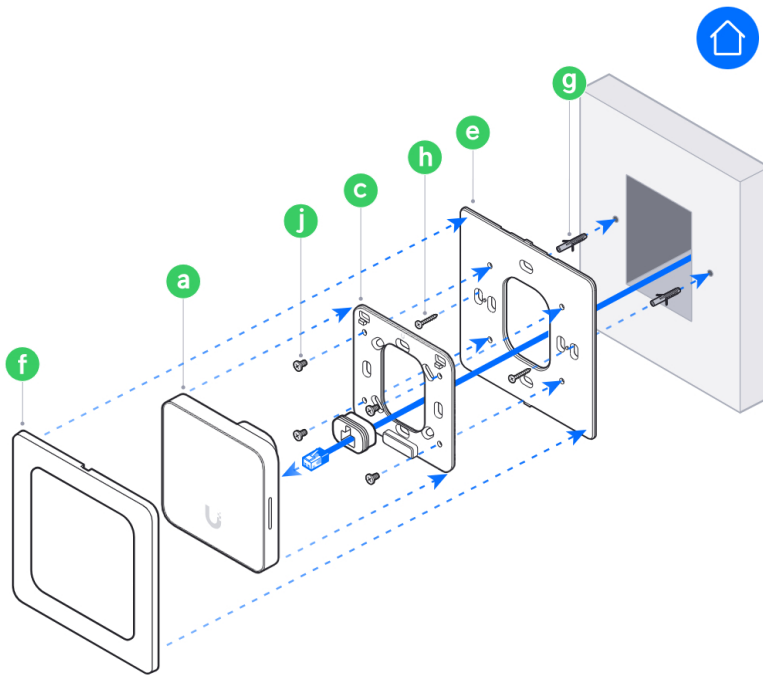
5



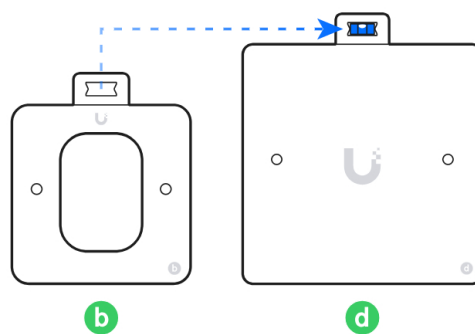
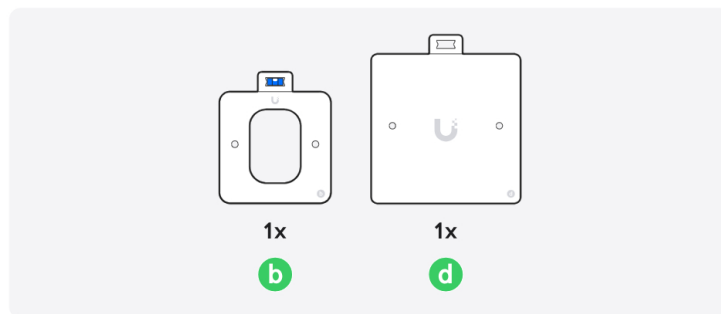


If you need further assistance, visit our [Help Center](#) or contact [Ubiquiti Support](#).

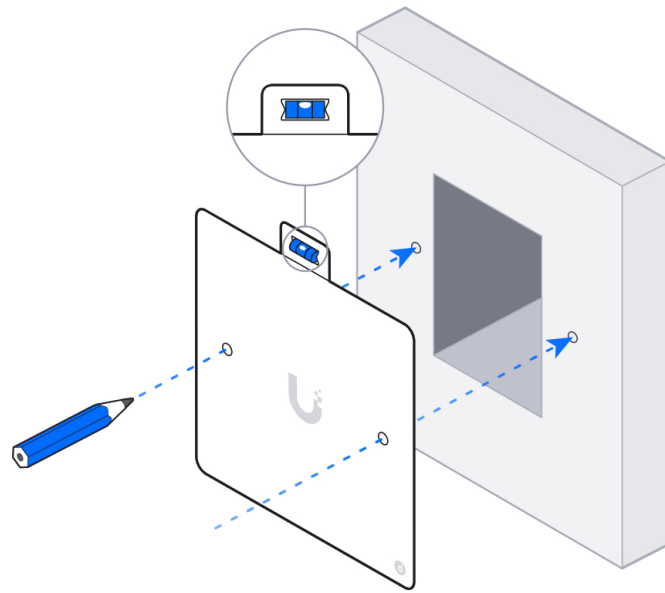
©2024 Ubiquiti Inc. All rights reserved. Ubiquiti, the Ubiquiti U logo, UniFi and UniFi Access are trademarks or registered trademarks of Ubiquiti Inc. in the United States and in other countries. Apple and the Apple logo are trademarks of Apple Inc., registered in the U.S. and other countries. App Store is a service mark of Apple Inc., registered in the U.S. and other countries. Android, Google, Google Play, and the Google Play logo are trademarks of Google LLC.



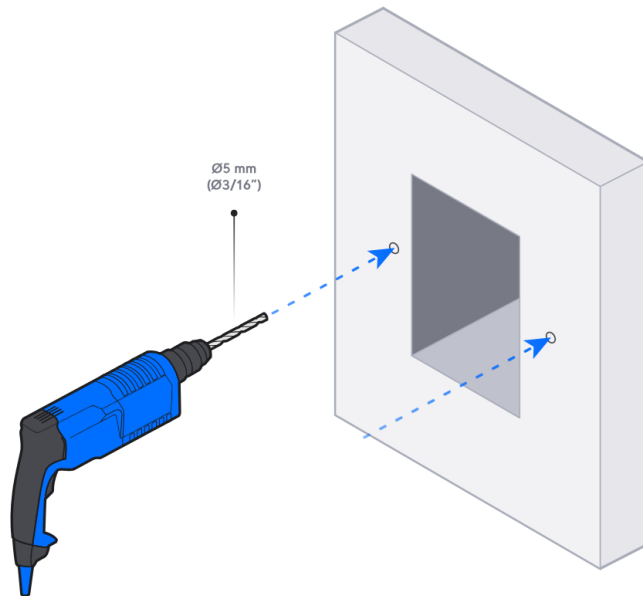
1



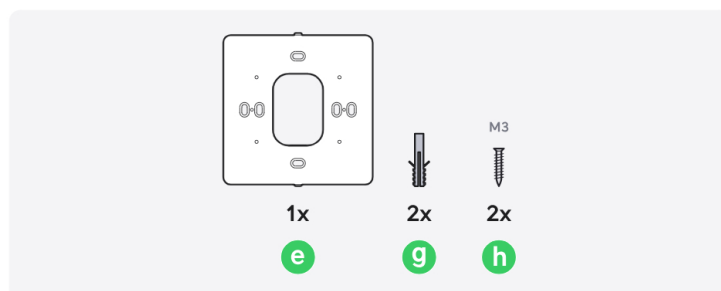
2

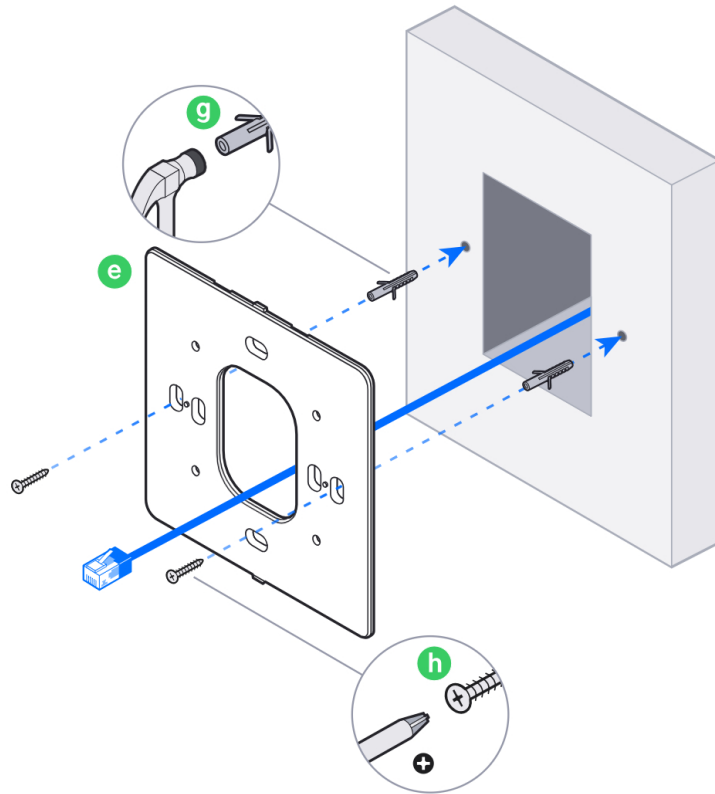
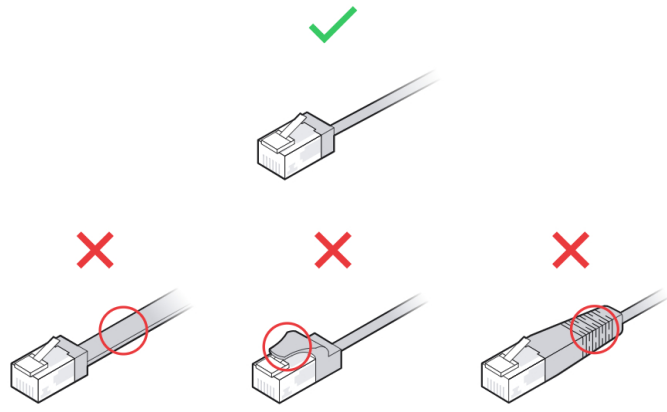


3

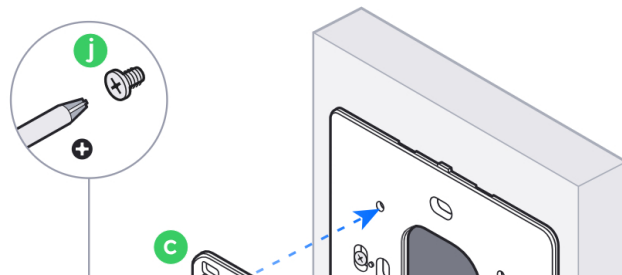
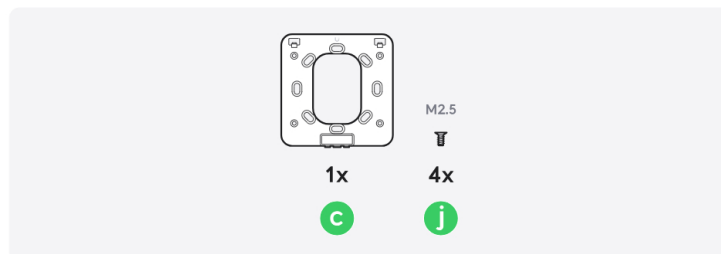


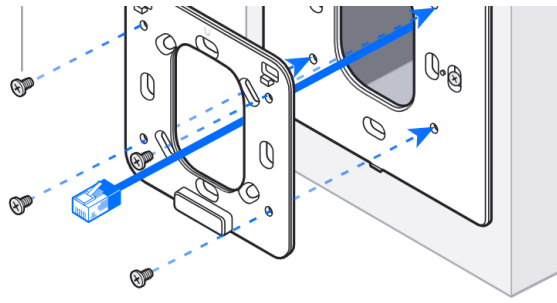
4



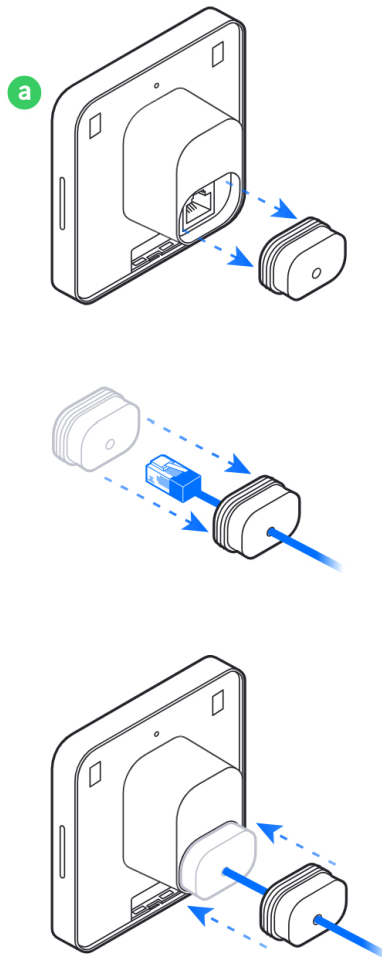
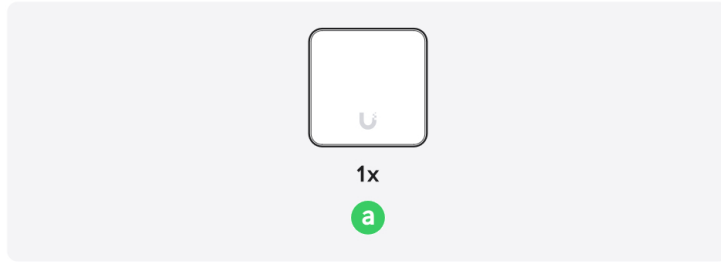


5



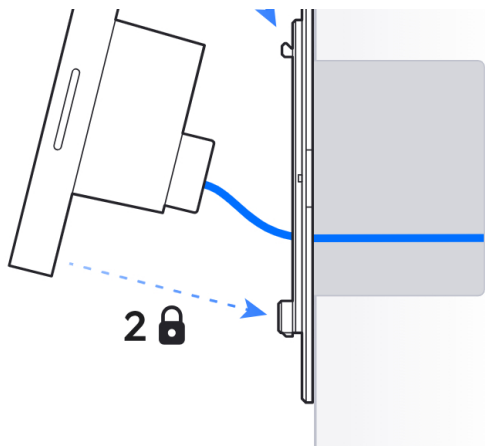


6

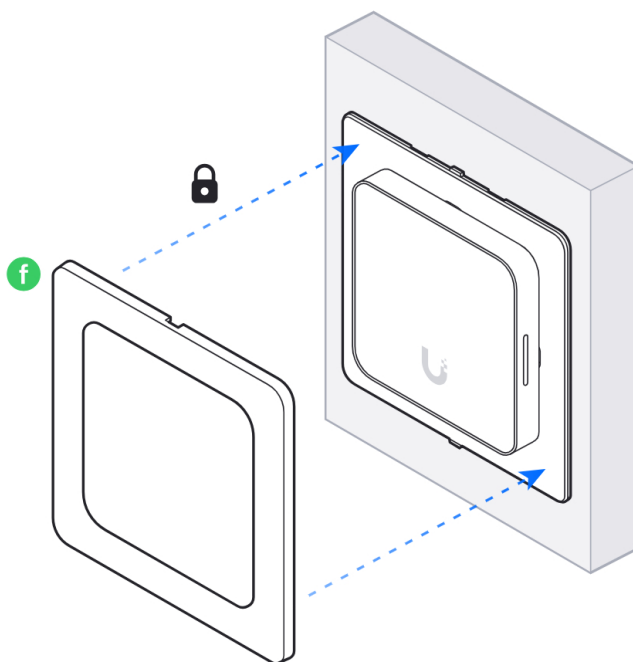
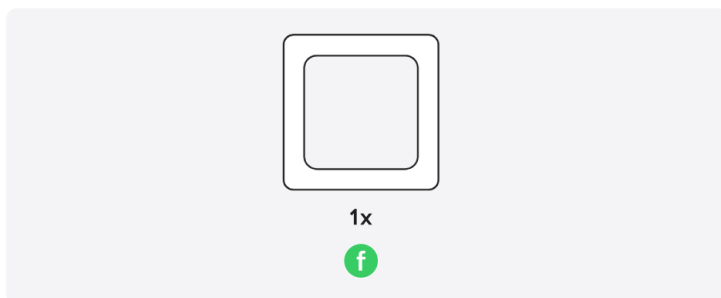


7





8

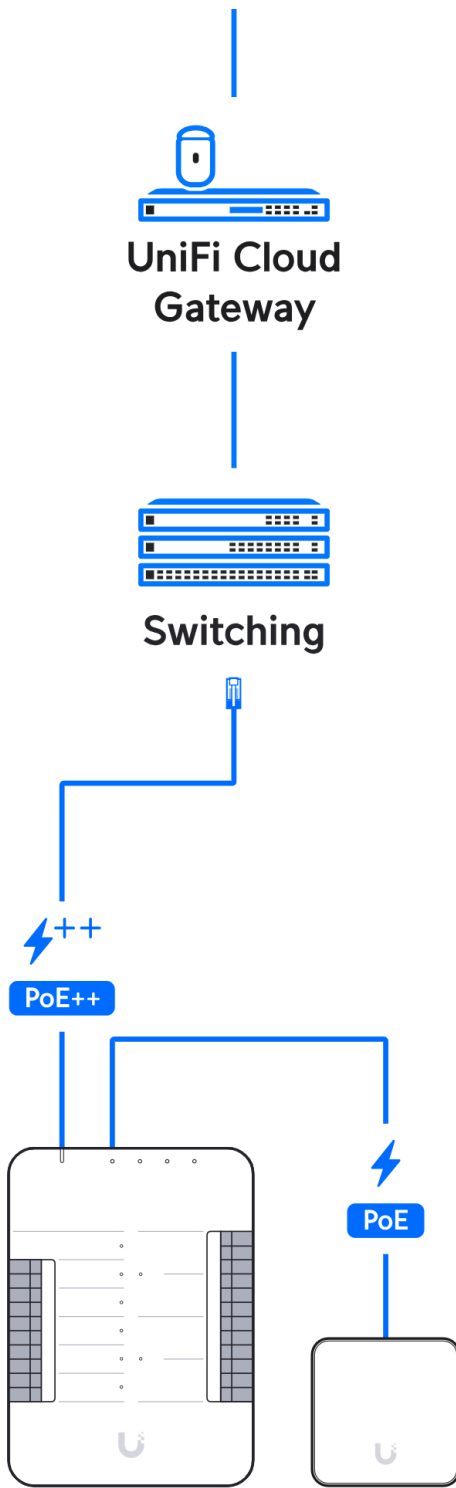


9

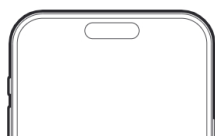
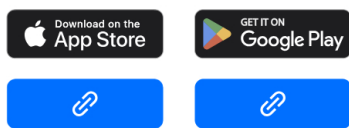


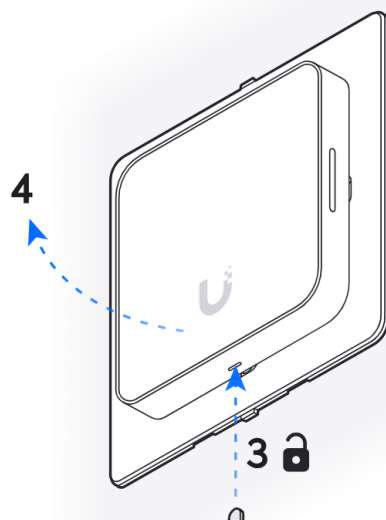
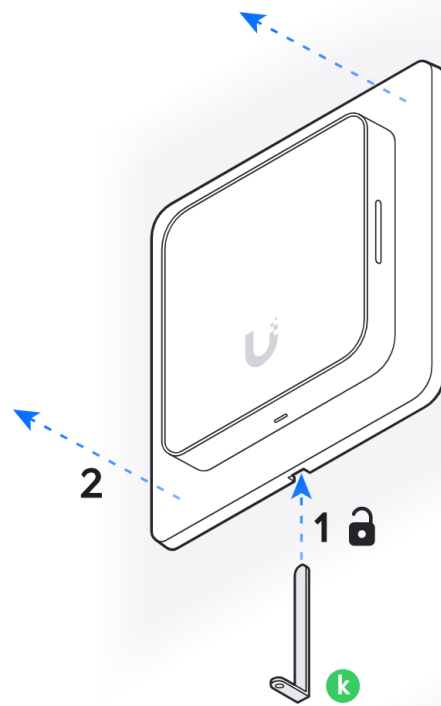
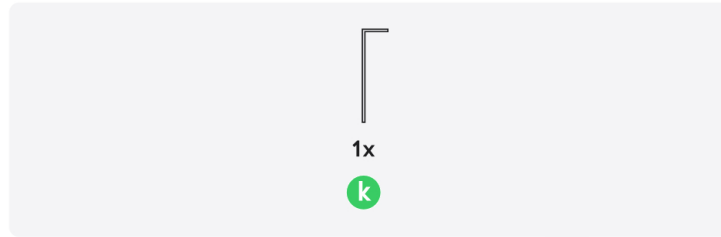
Internet





10

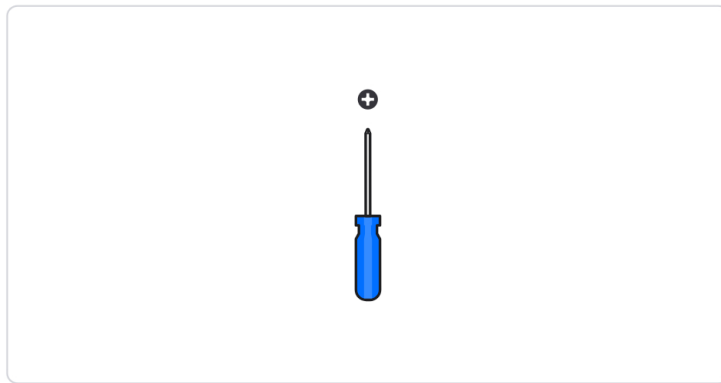
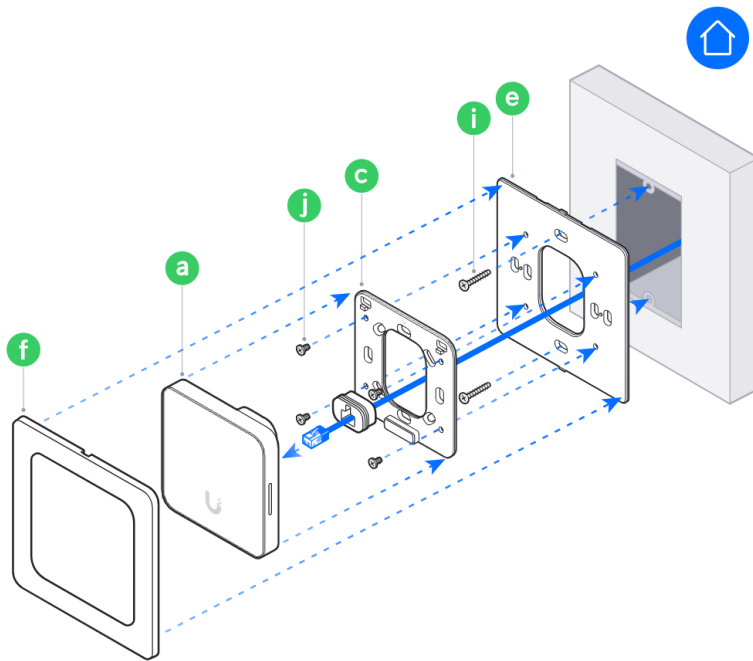




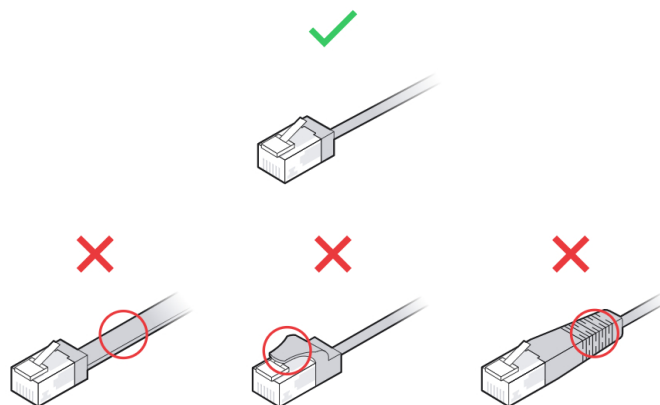
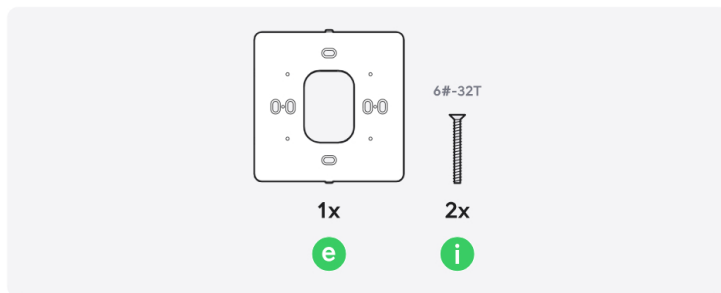


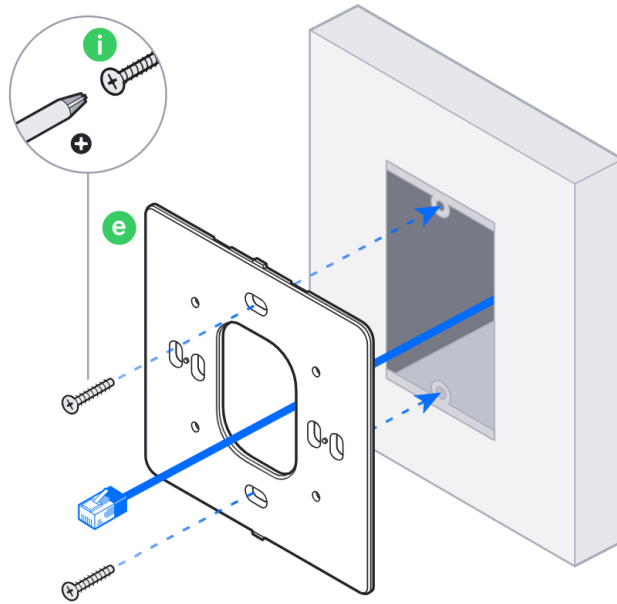
If you need further assistance, visit our [Help Center](#) or contact [Ubiquiti Support](#).

© 2024 Ubiquiti Inc. All rights reserved. Ubiquiti, the Ubiquiti U logo, UniFi, and UniFi Access are trademarks or registered trademarks of Ubiquiti Inc. in the United States and in other countries. Apple and the Apple logo are trademarks of Apple Inc., registered in the U.S. and other countries. App Store is a service mark of Apple Inc., registered in the U.S. and other countries. Android, Google, Google Play, and the Google Play logo are trademarks of Google LLC.

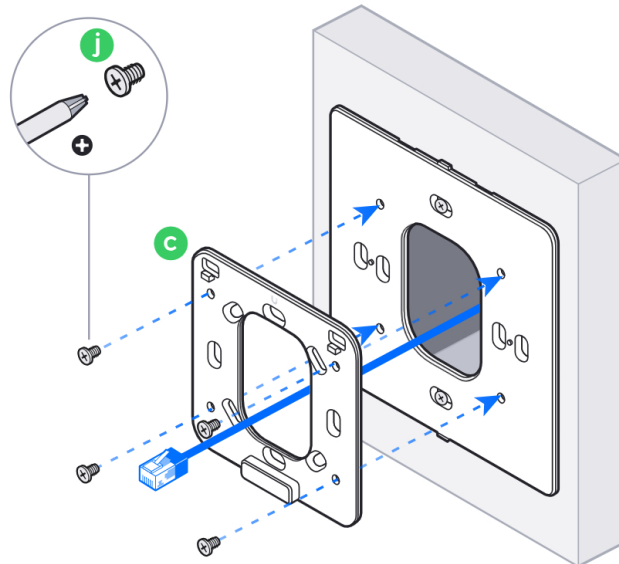
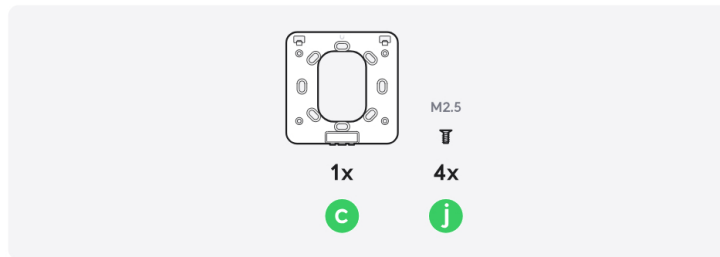


1

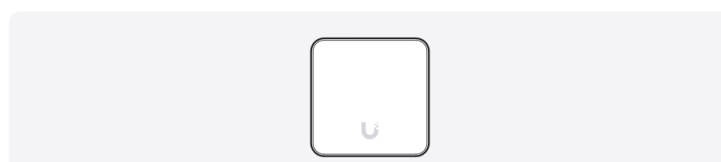




2

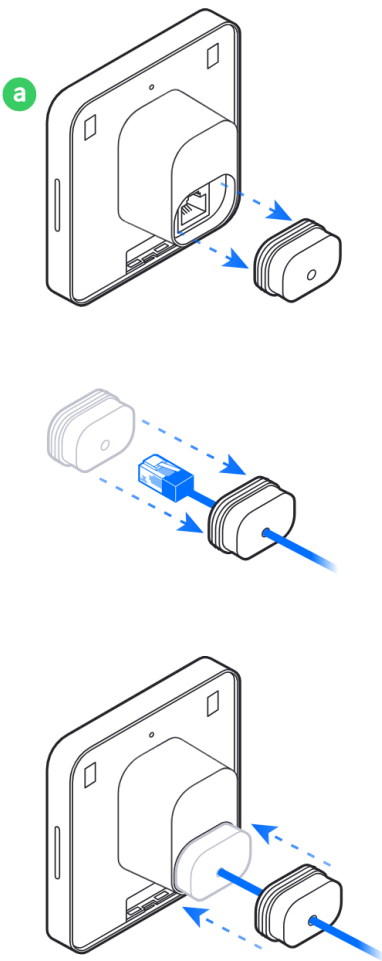


3

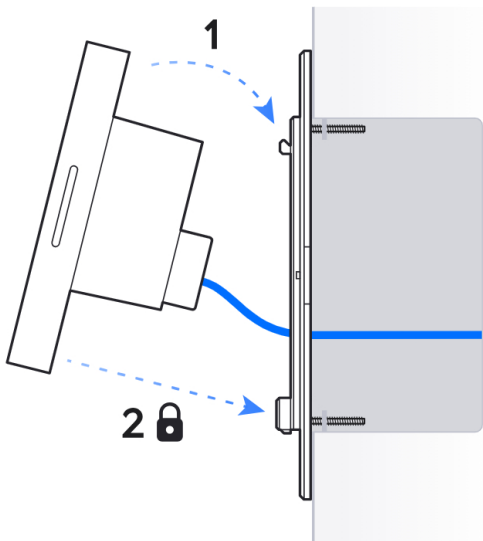


1x

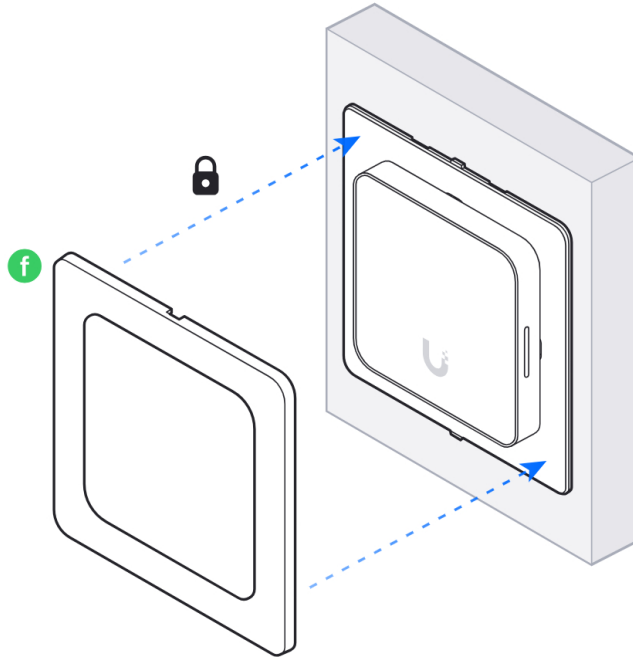
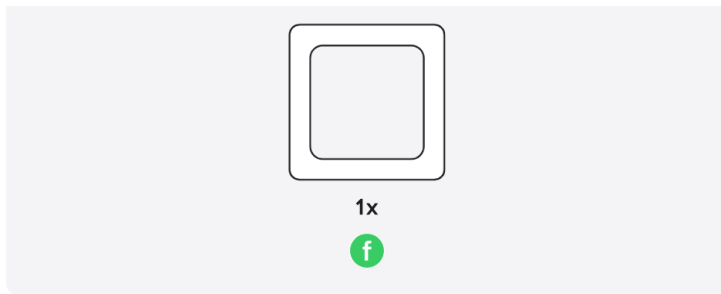
a



4

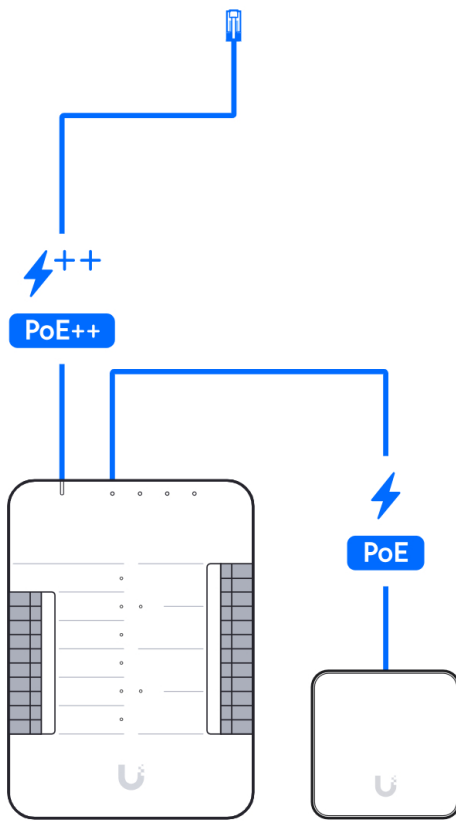


5

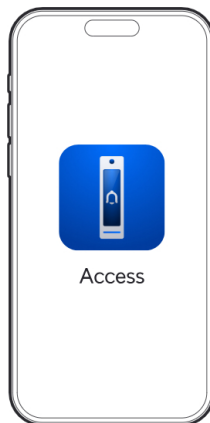
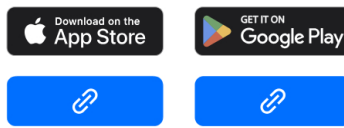


6

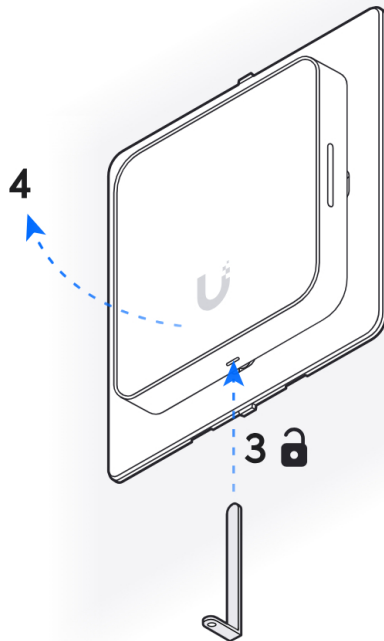
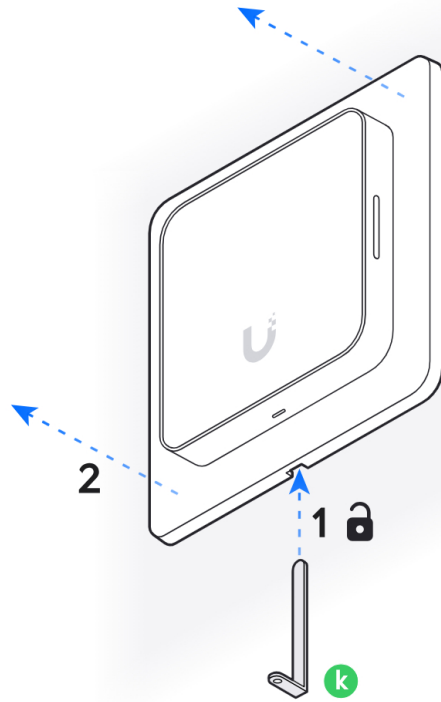




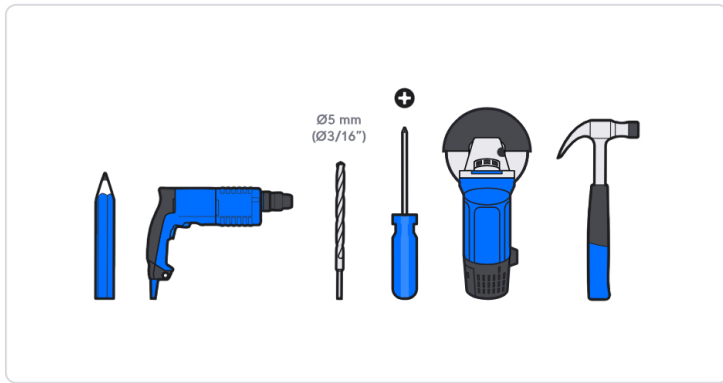
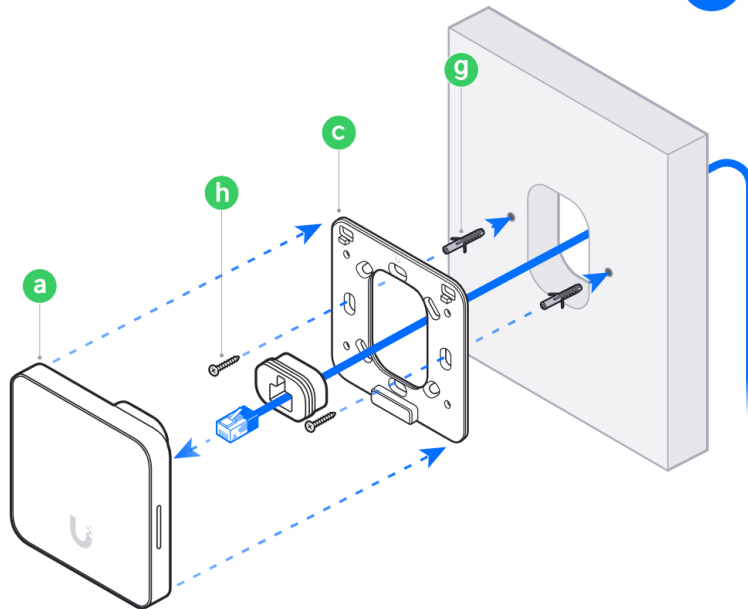
7



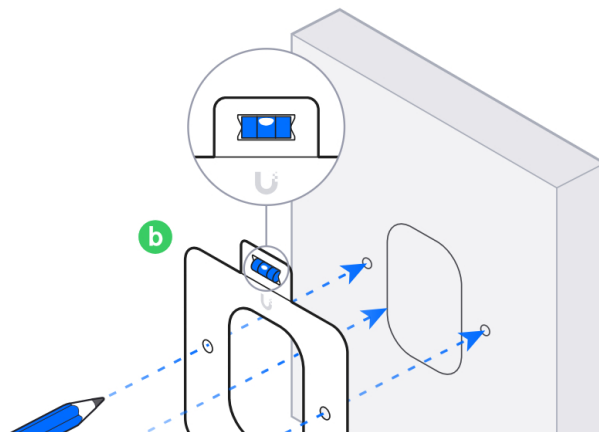
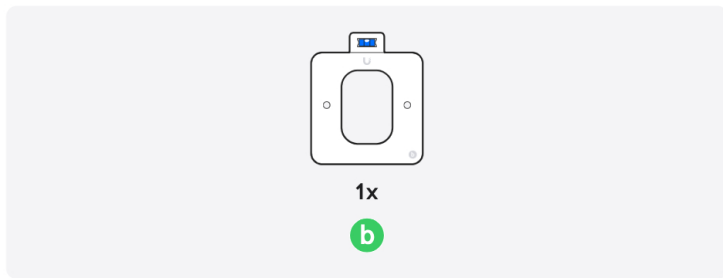
1x



If you need further assistance, visit our [Help Center](#) or contact [Ubiquiti Support](#).



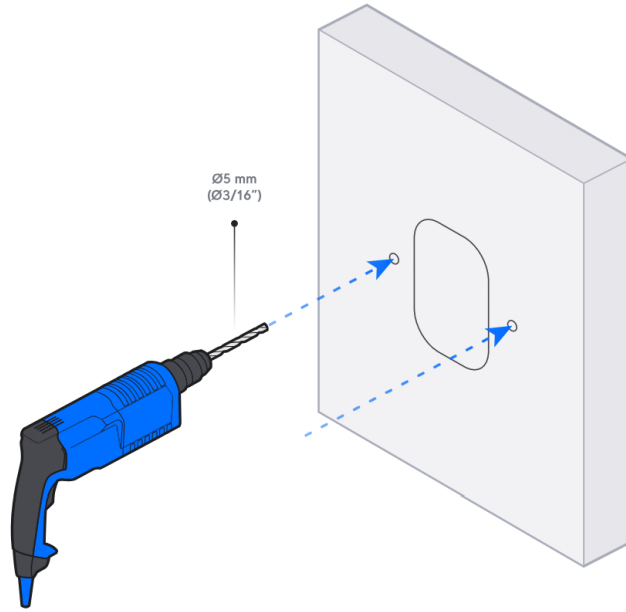
1



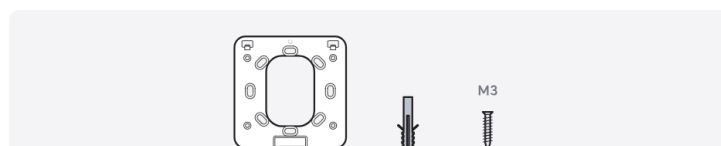
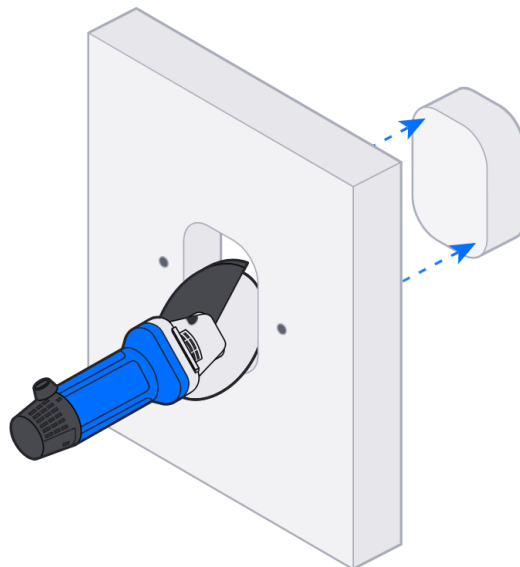
2



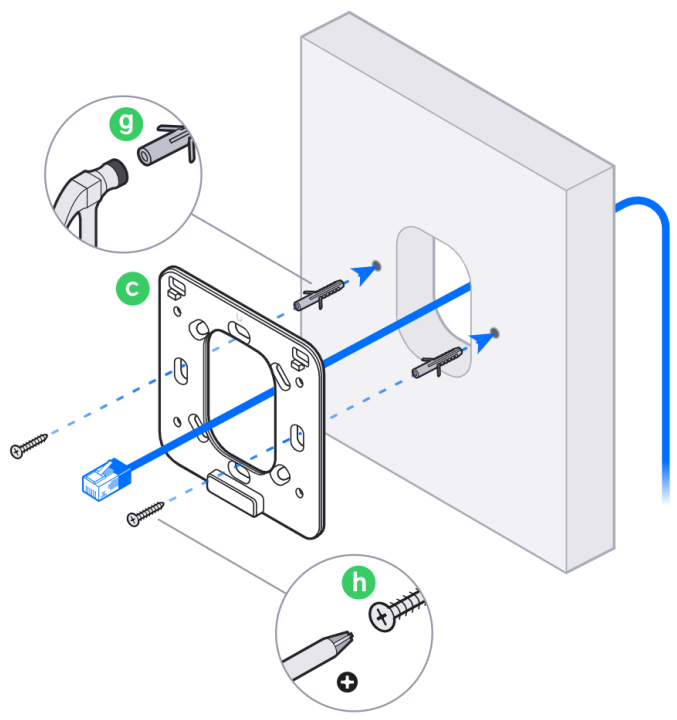
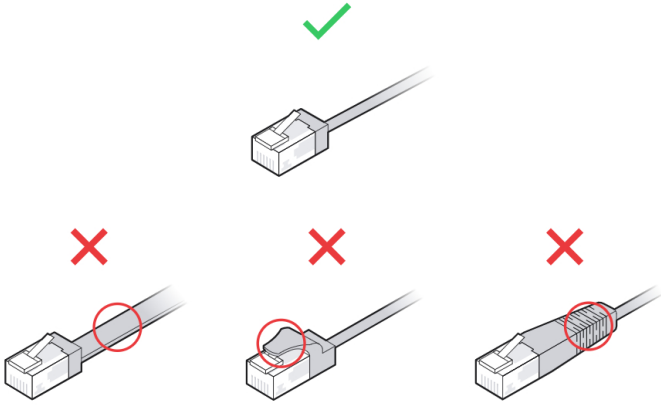
3




4

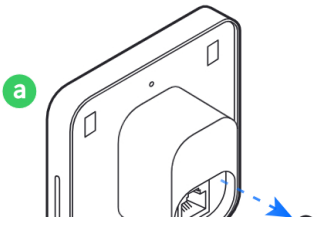


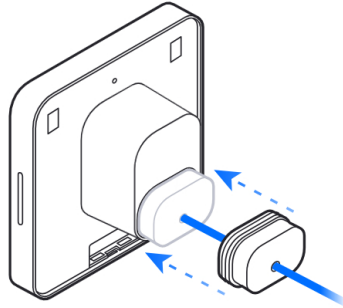
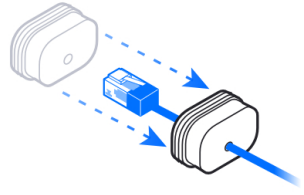
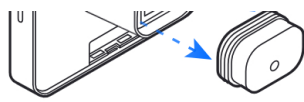
- 1x
c
- 2x
g
- 2x
h



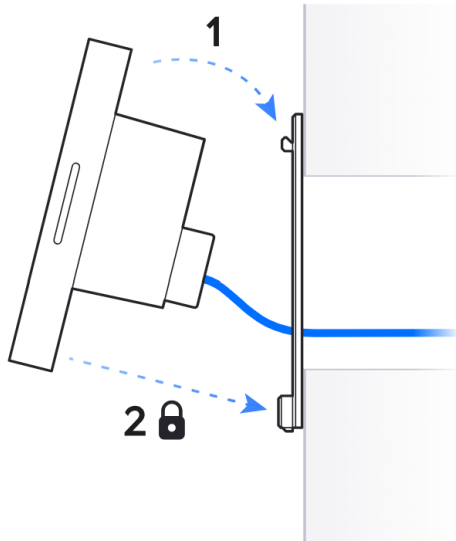
5

- 
- 1x
a





6



7



Internet

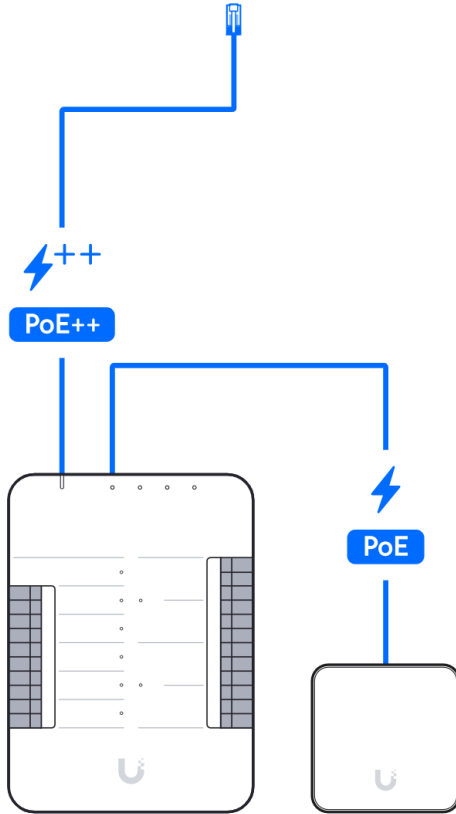




UniFi Cloud Gateway

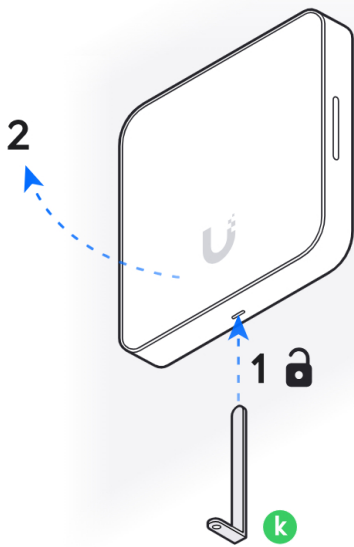
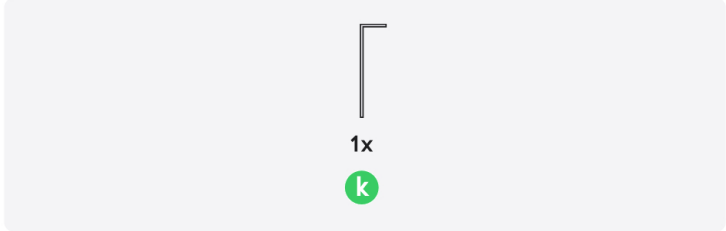


Switching



8





If you need further assistance, visit our [Help Center](#) or contact [Ubiquiti Support](#).

©2024 Ubiquiti Inc. All rights reserved. Ubiquiti, the Ubiquiti U logo, UniFi and UniFi Access are trademarks or registered trademarks of Ubiquiti Inc. in the United States and in other countries. Apple and the Apple logo are trademarks of Apple Inc., registered in the U.S. and other countries. App Store is a service mark of Apple Inc., registered in the U.S. and other countries. Android, Google, Google Play, and the Google Play logo are trademarks of Google LLC.