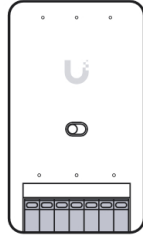




G3 Starter Kit

Door Hub Mini



G3 Reader



Pocket Keyfob



1



Internet



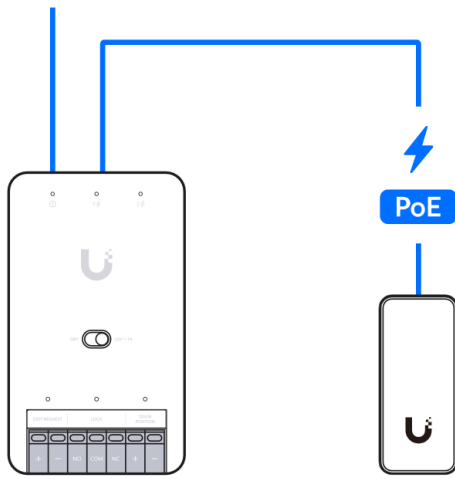
UniFi Cloud Gateway



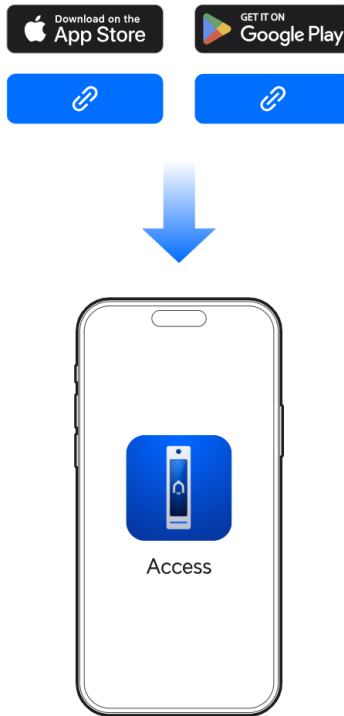
Switching



PoE++



2

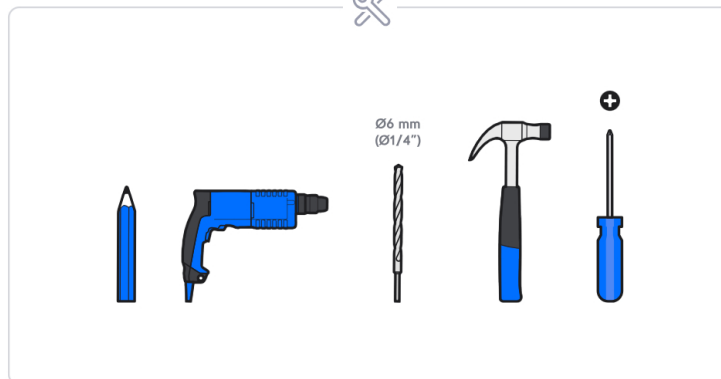
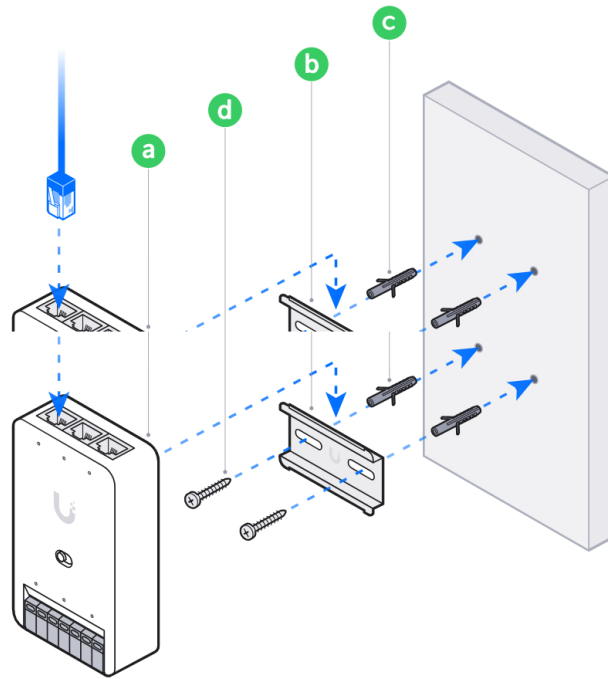
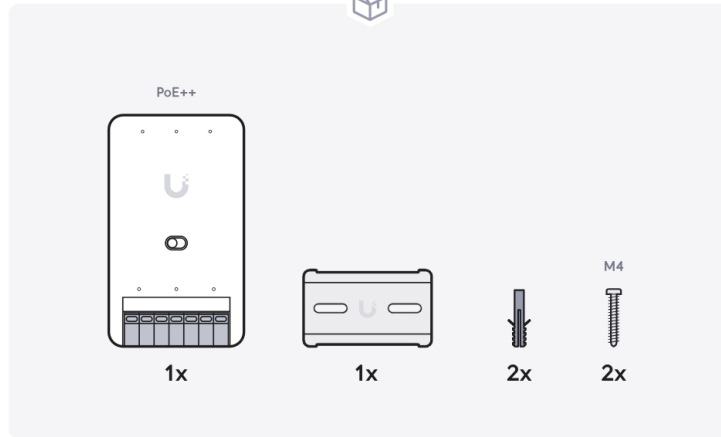


If you need further assistance, visit our [Help Center](#) or contact [Ubiquiti Support](#).

©2024 Ubiquiti Inc. All rights reserved. Ubiquiti, the Ubiquiti U logo, UniFi, and UniFi Access are trademarks or registered trademarks of Ubiquiti Inc. in the United States and in other countries. Apple and the Apple logo are trademarks of Apple Inc., registered in the U.S. and other countries. App Store is a service mark of Apple Inc., registered in the U.S. and other countries. Android, Google, Google Play, and the Google Play logo are trademarks of Google LLC.



Door Hub Mini

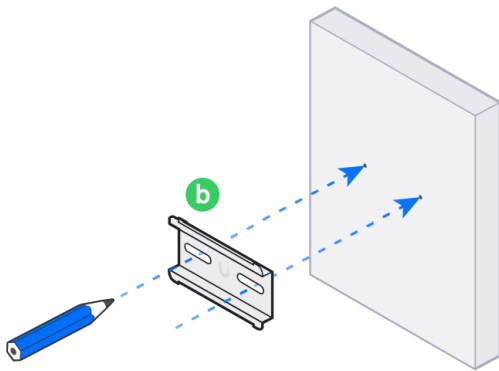
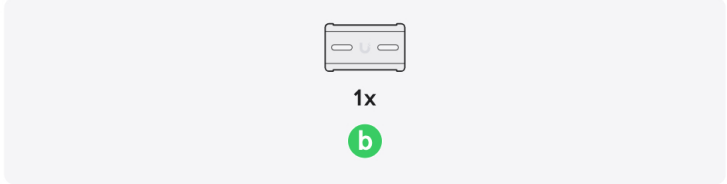


Door Lock Relay Cable

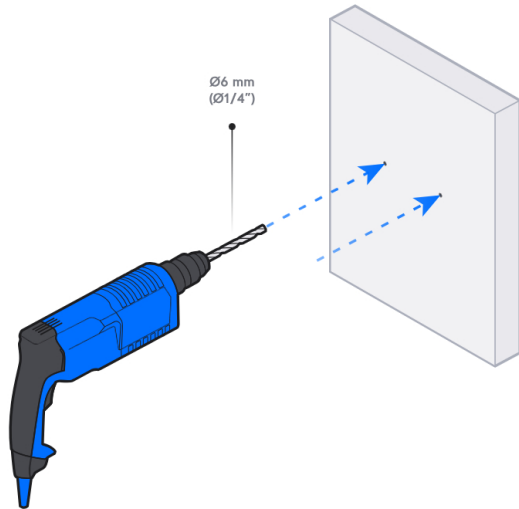
[Buy >](#)



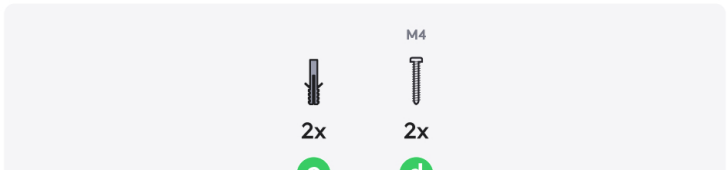
1

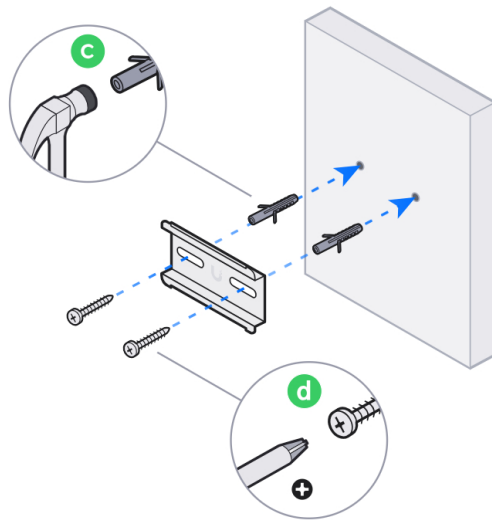


2

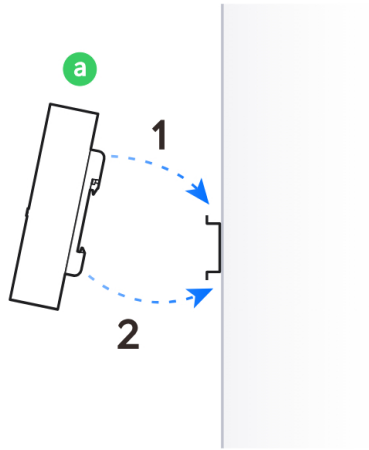
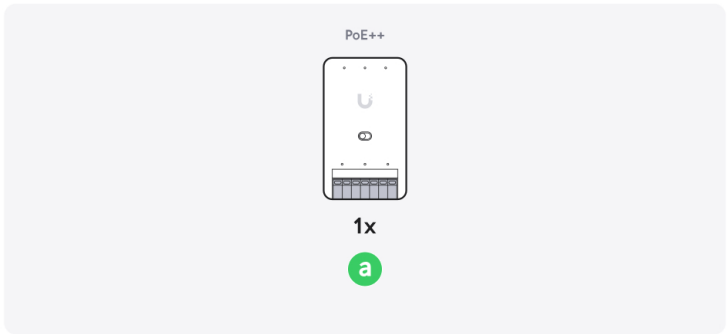


3

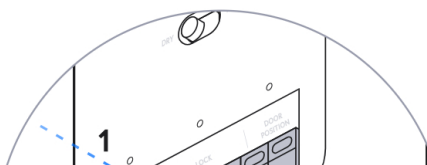


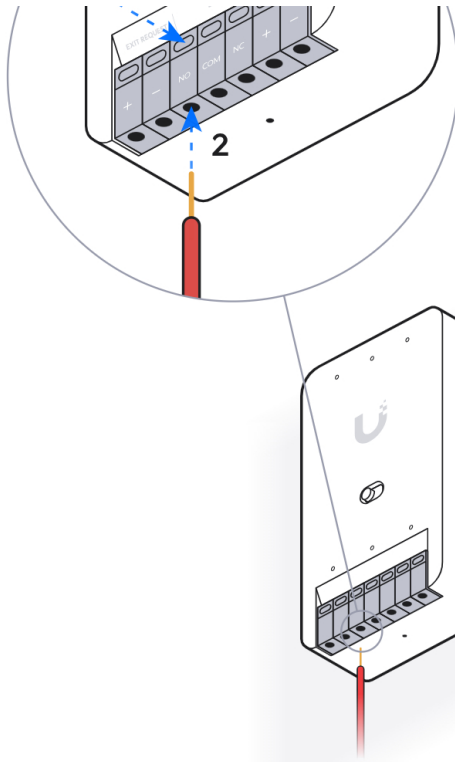


4

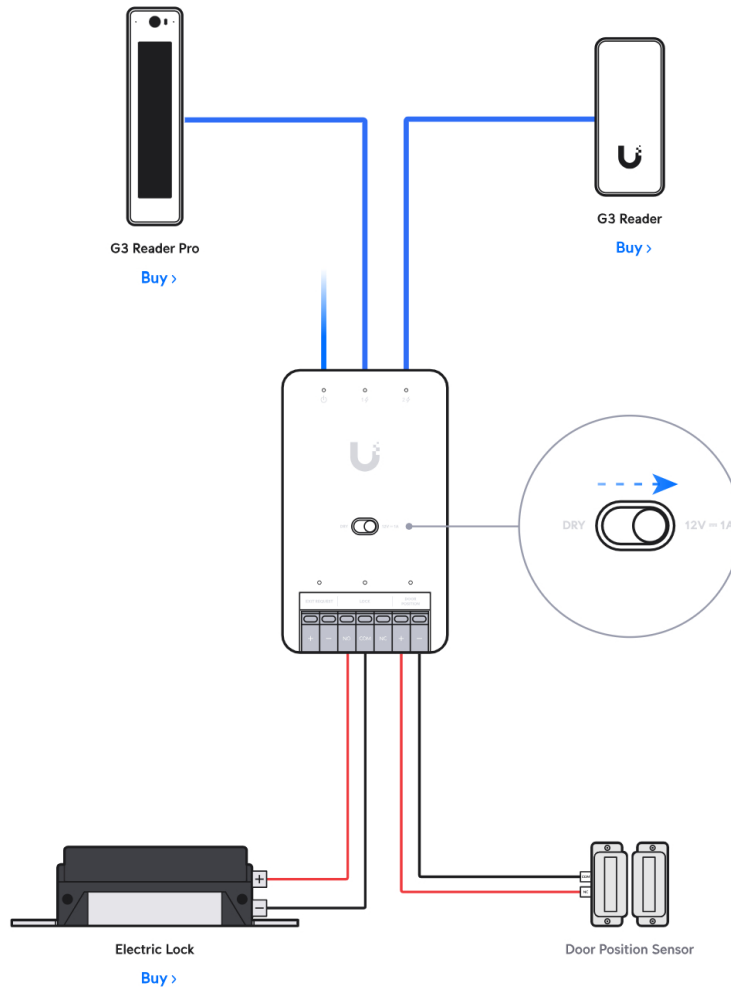


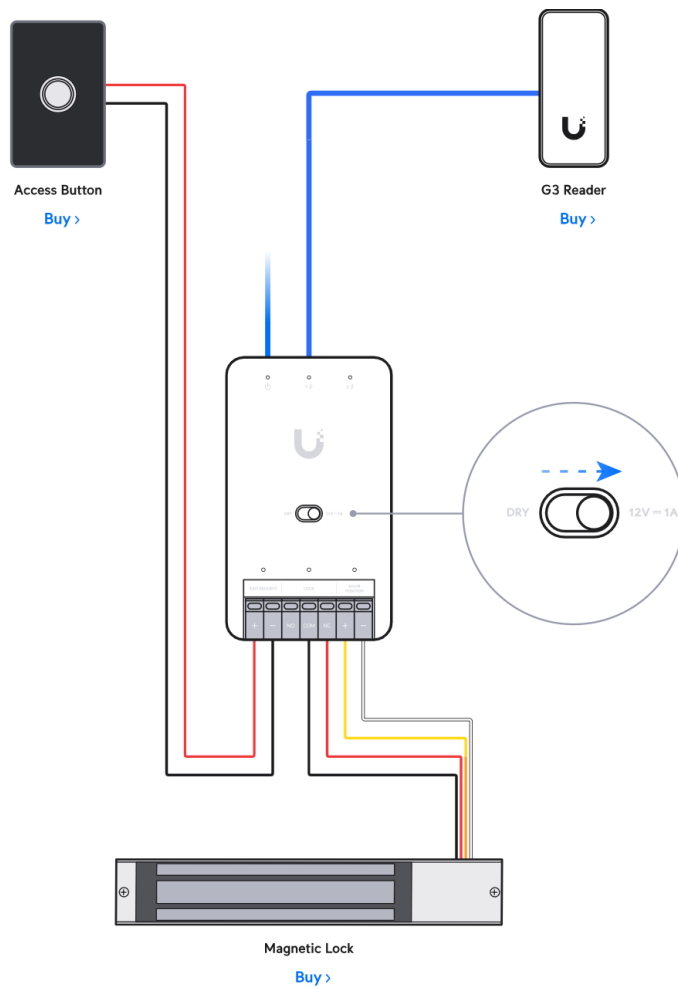
5





6



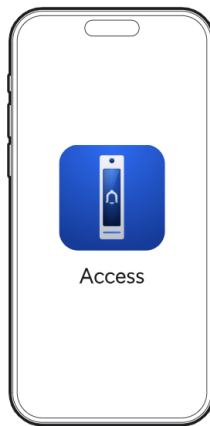
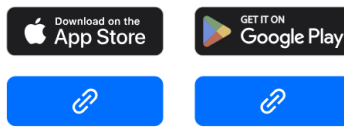


7





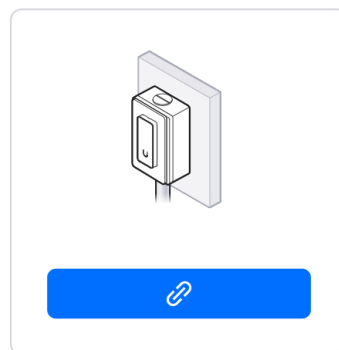
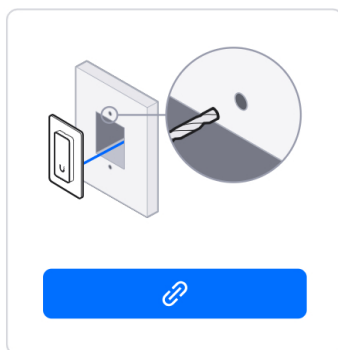
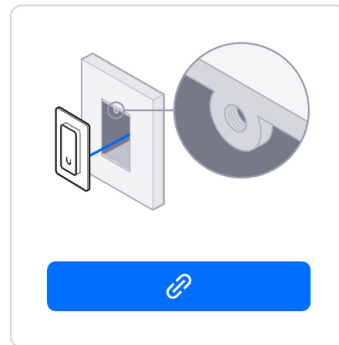
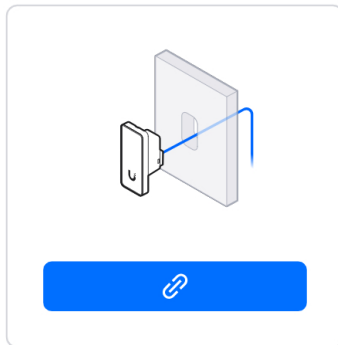
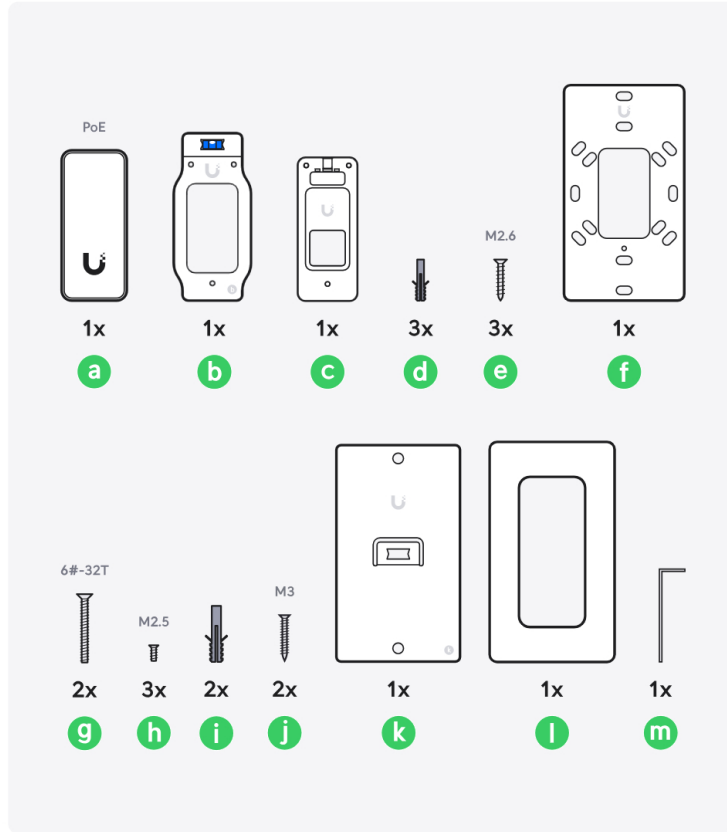
8

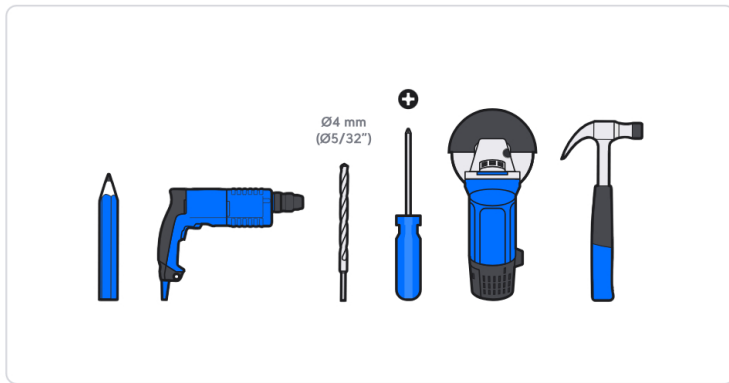
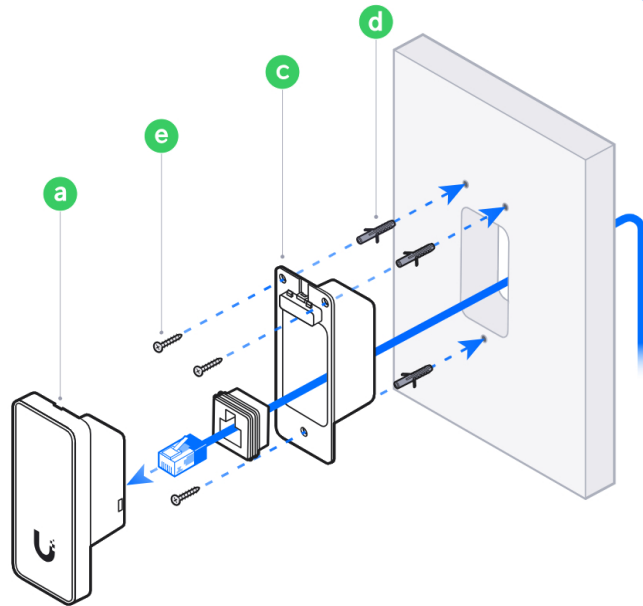


If you need further assistance, visit our [Help Center](#) or contact [Ubiquiti Support](#).

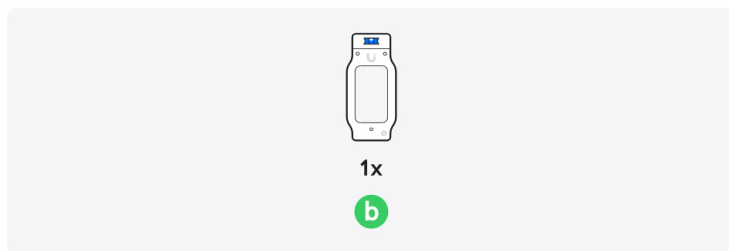


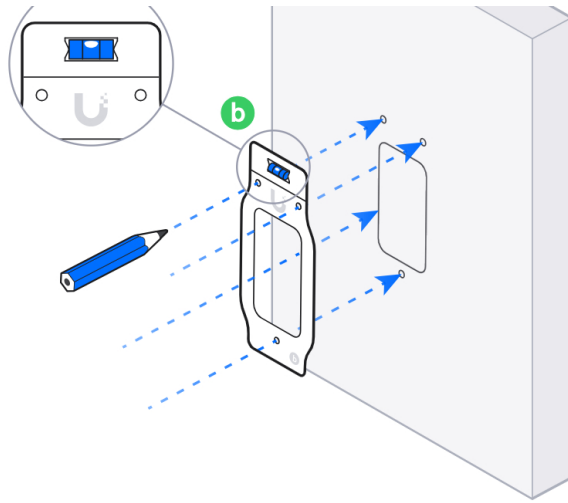
G3 Reader



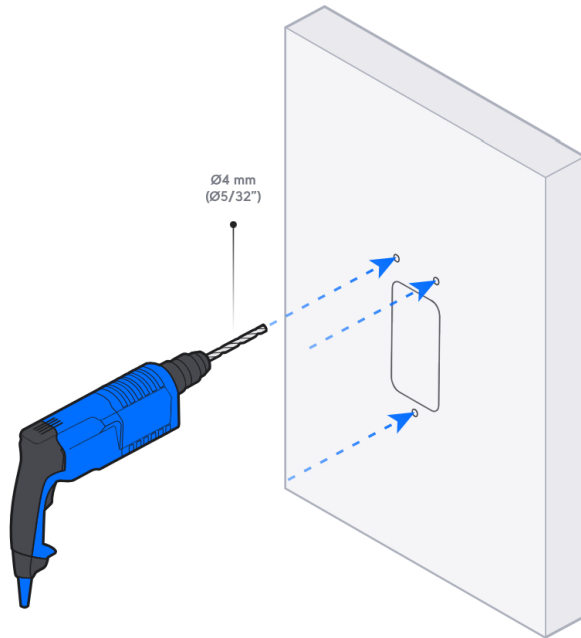


1

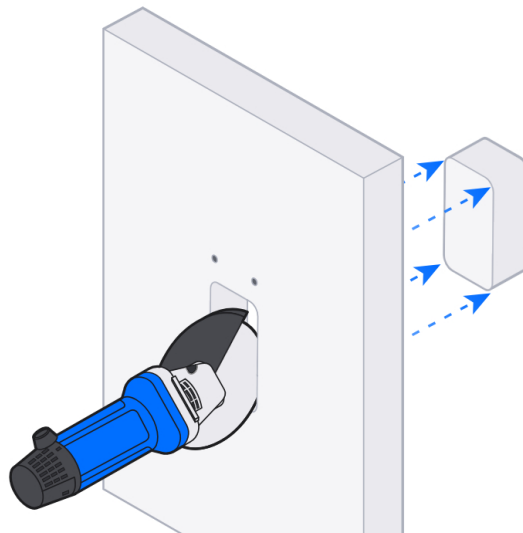




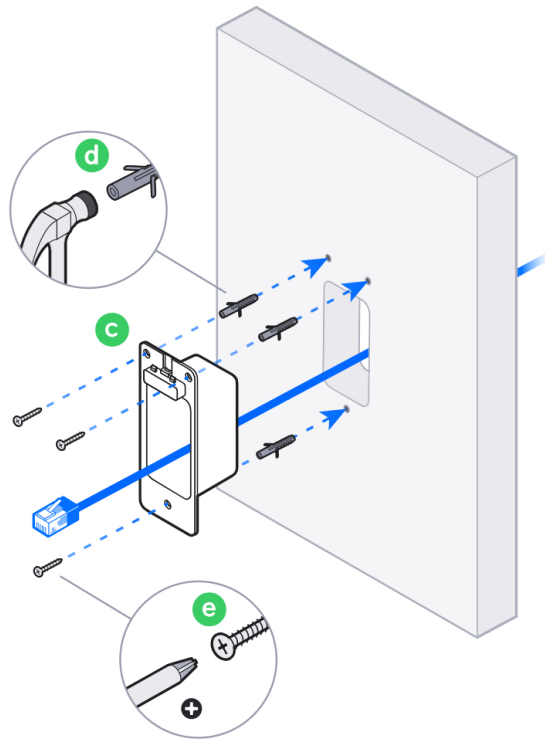
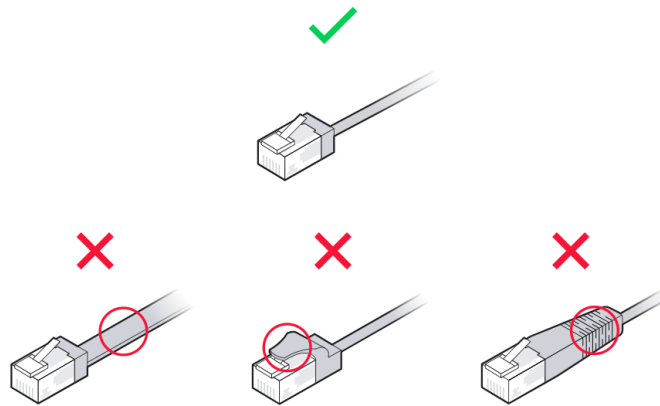
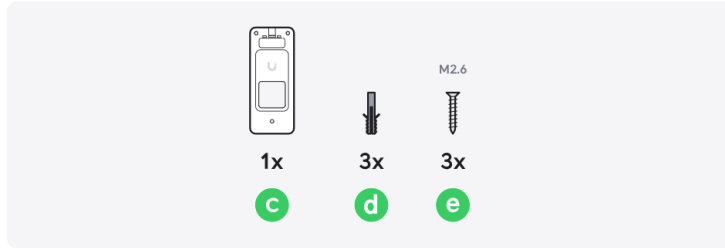
2



3

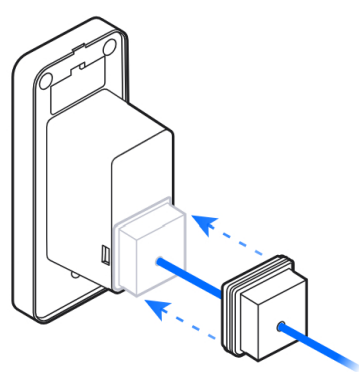
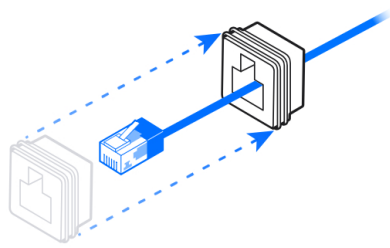
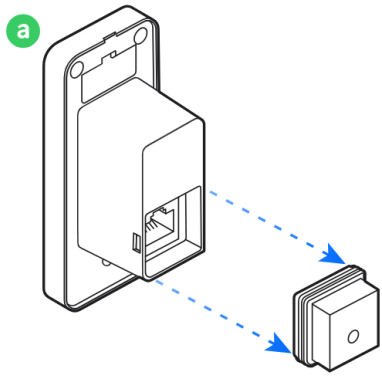


4

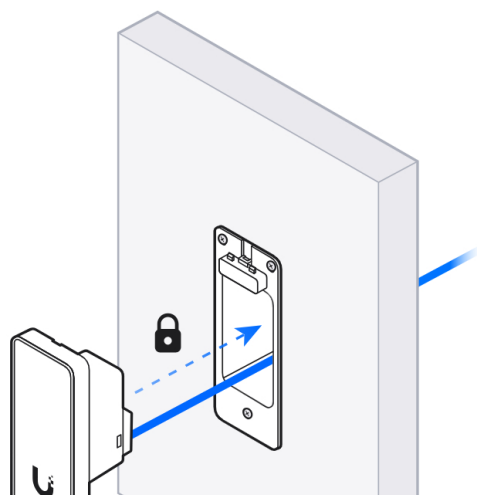


5

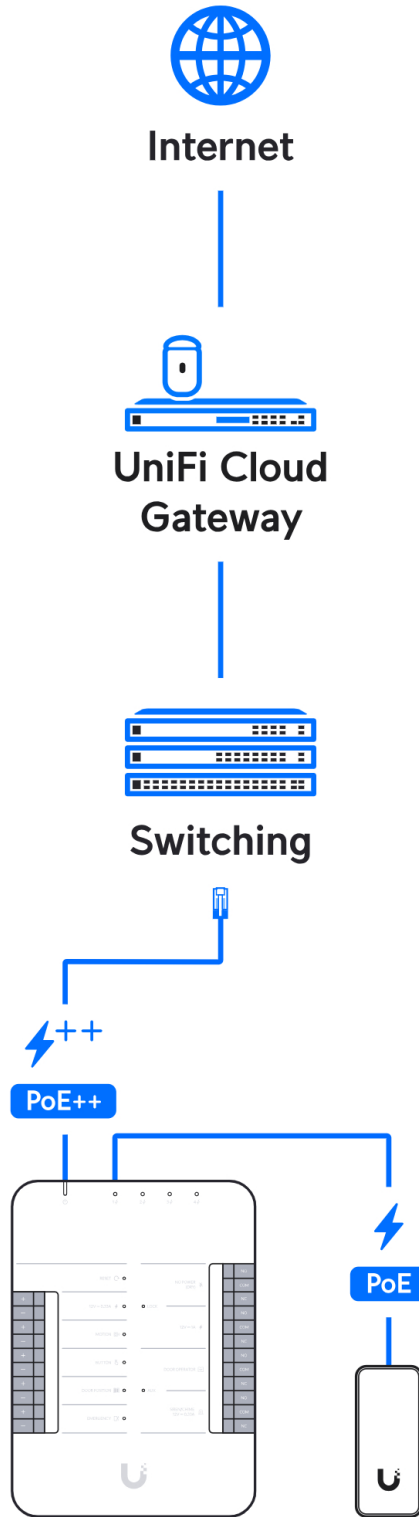




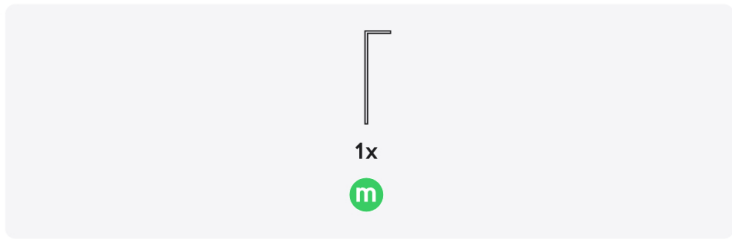
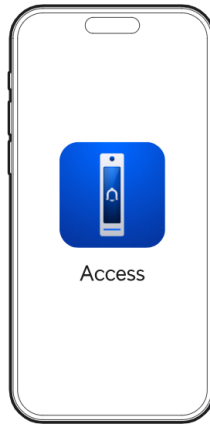
6



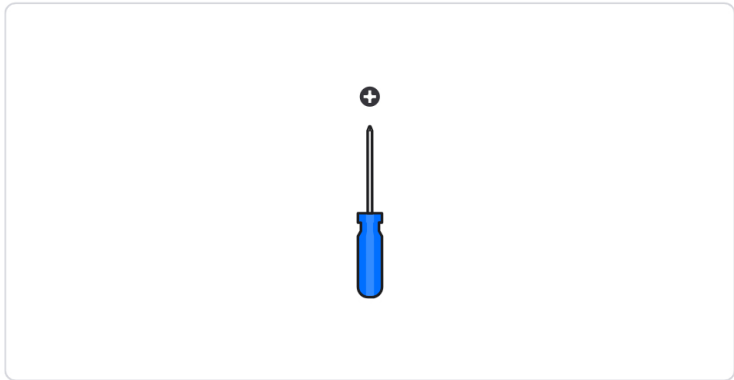
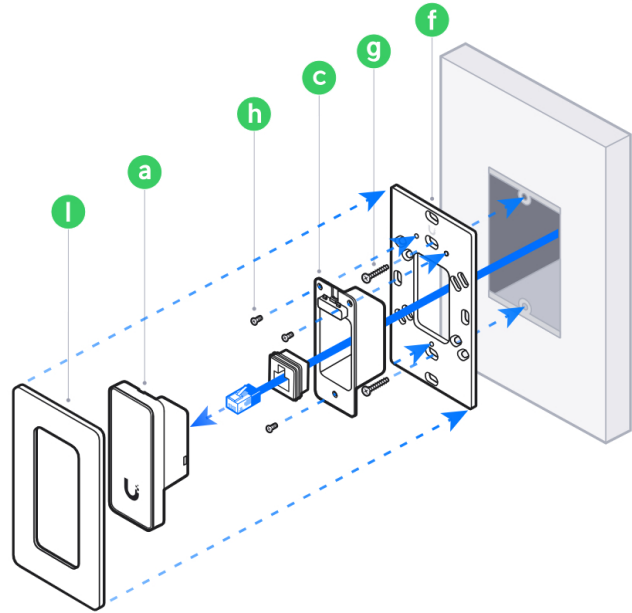
7



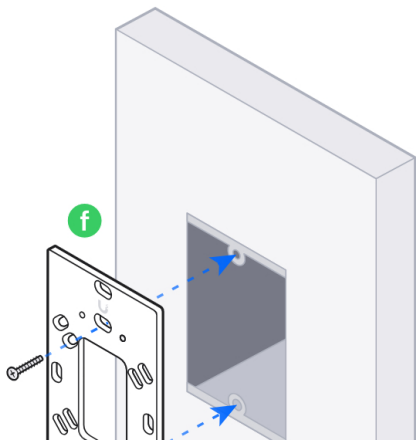
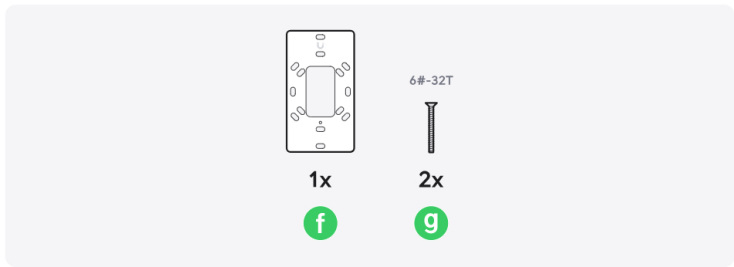
8

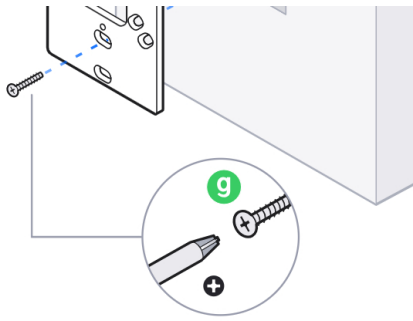


If you need further assistance, visit our [Help Center](#) or contact [Ubiquiti Support](#).

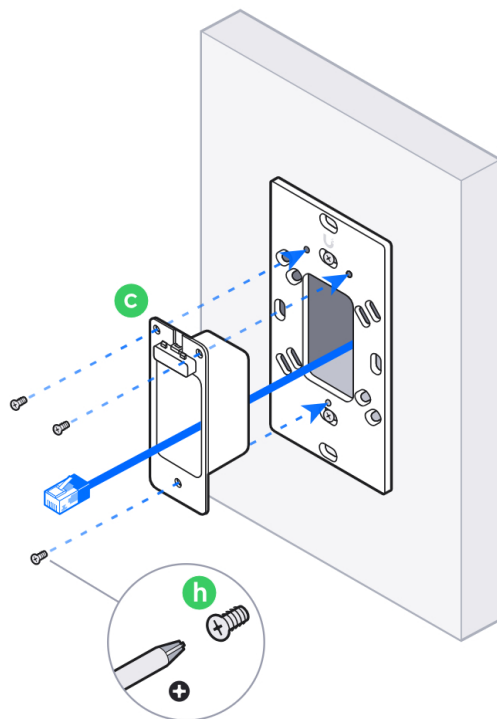
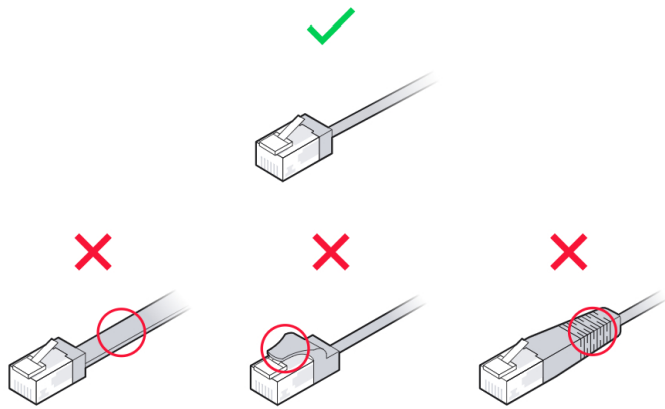
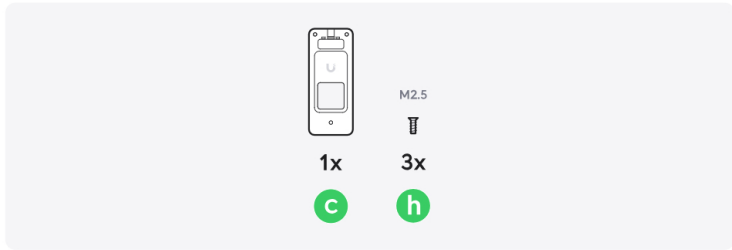


1

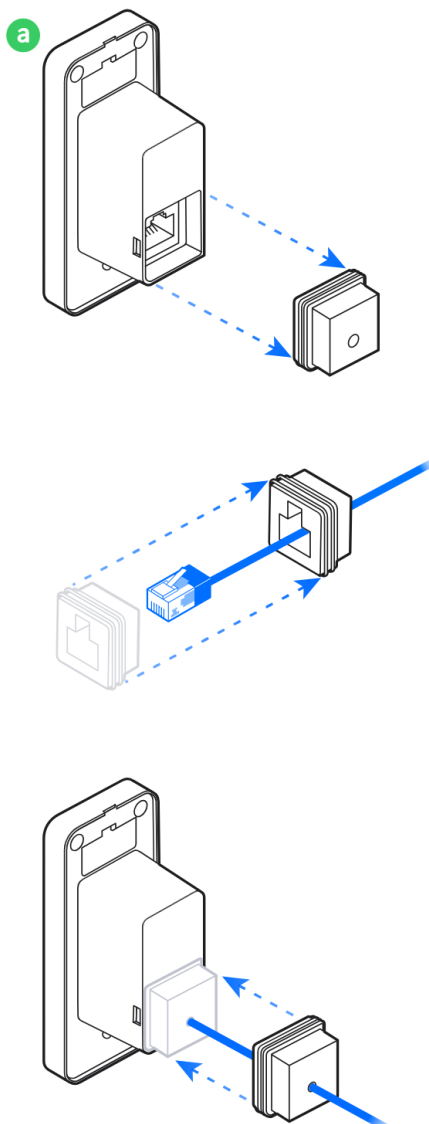
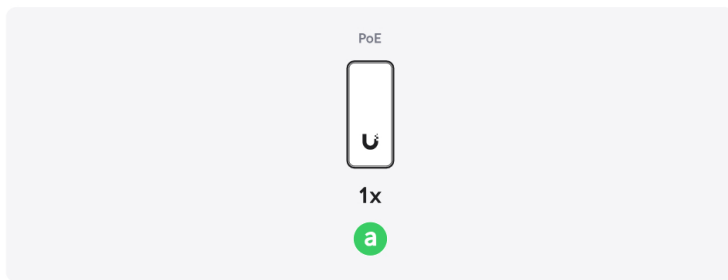




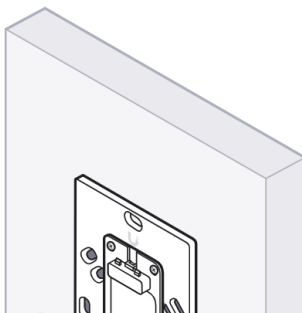
2

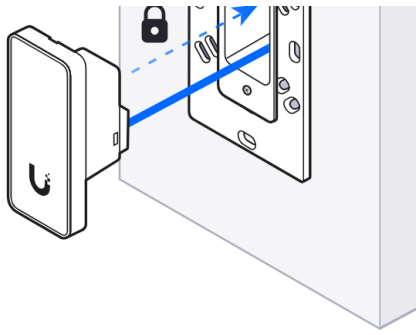


3

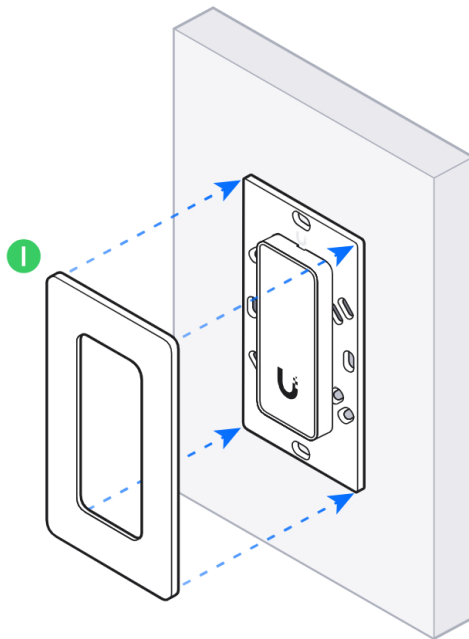
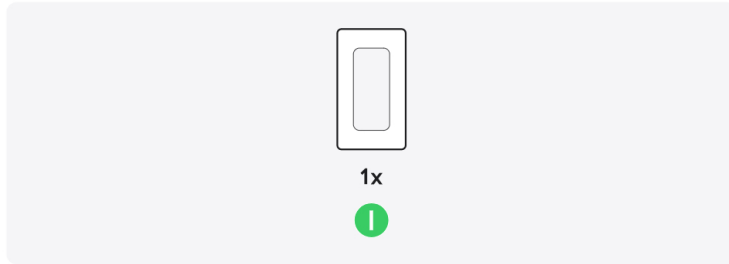


4





5



6



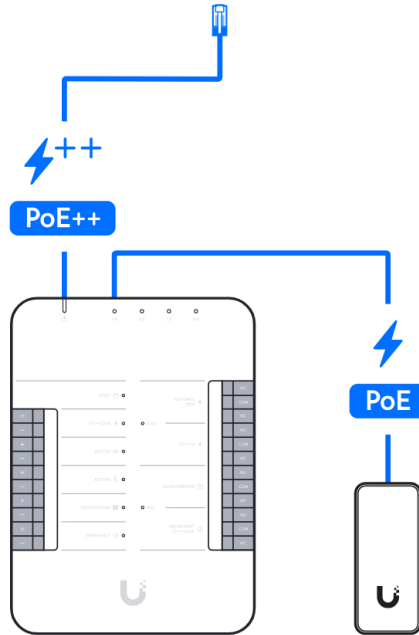
Internet



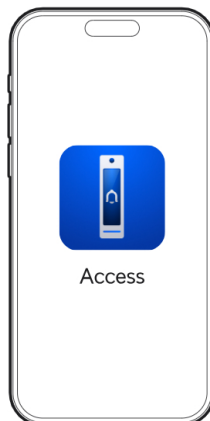
UniFi Cloud Gateway

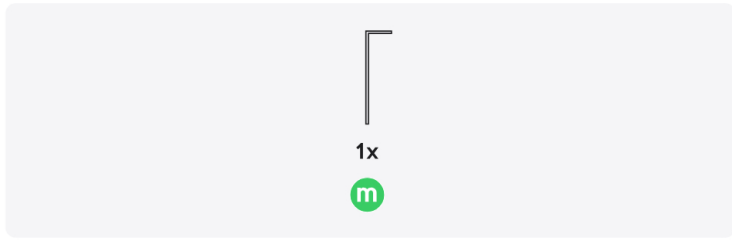


Switching

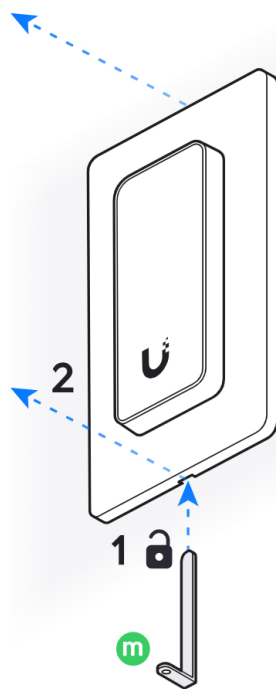


7





1

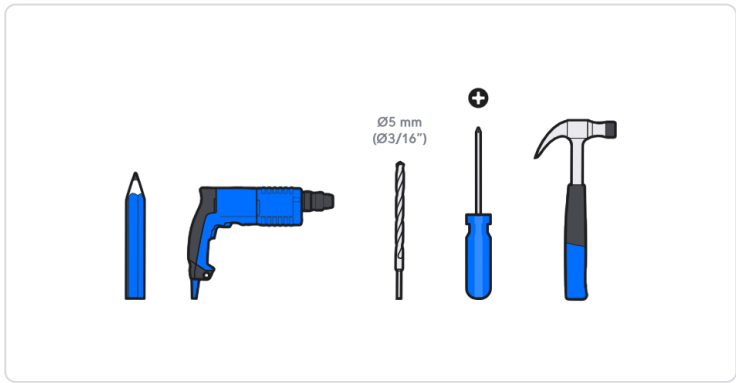
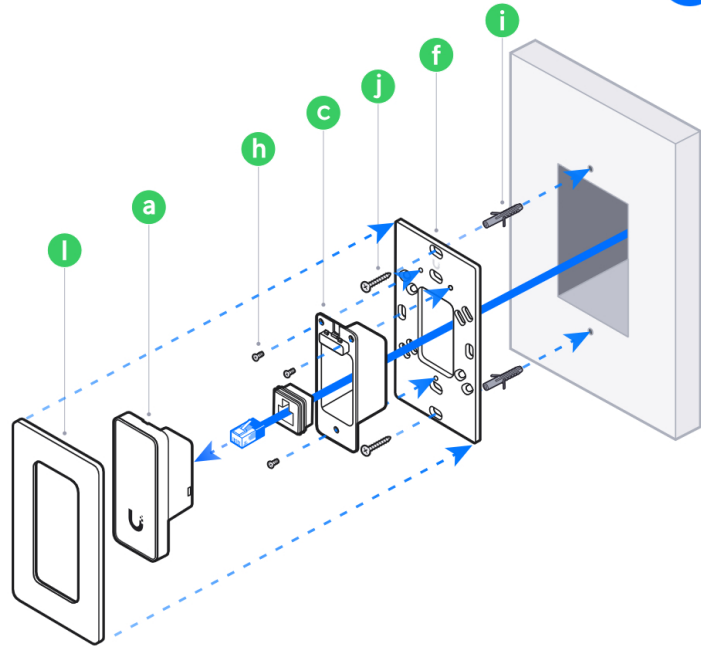


2

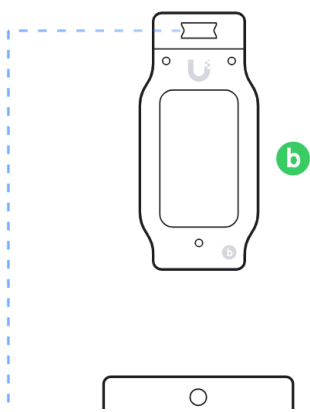
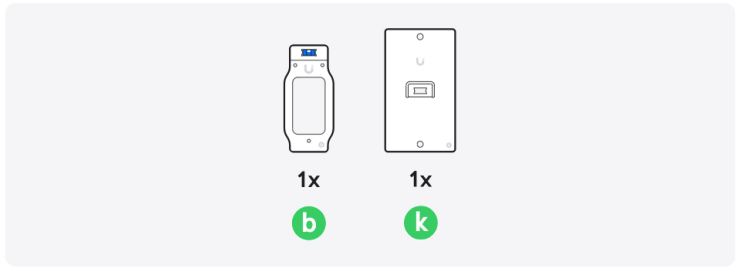


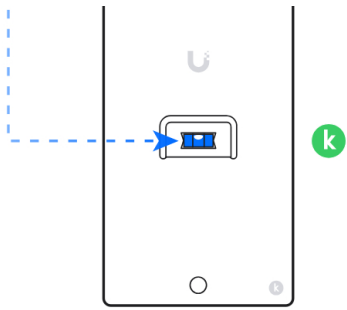
If you need further assistance, visit our [Help Center](#) or contact [Ubiquiti Support](#).

©2024 Ubiquiti Inc. All rights reserved. Ubiquiti, the Ubiquiti U logo, UniFi and UniFi Access are trademarks or registered trademarks of Ubiquiti Inc. in the United States and in other countries. Apple and the Apple logo are trademarks of Apple Inc., registered in the U.S. and other countries. App Store is a service mark of Apple Inc., registered in the U.S. and other countries. Android, Google, Google Play, and the Google Play logo are trademarks of Google LLC.

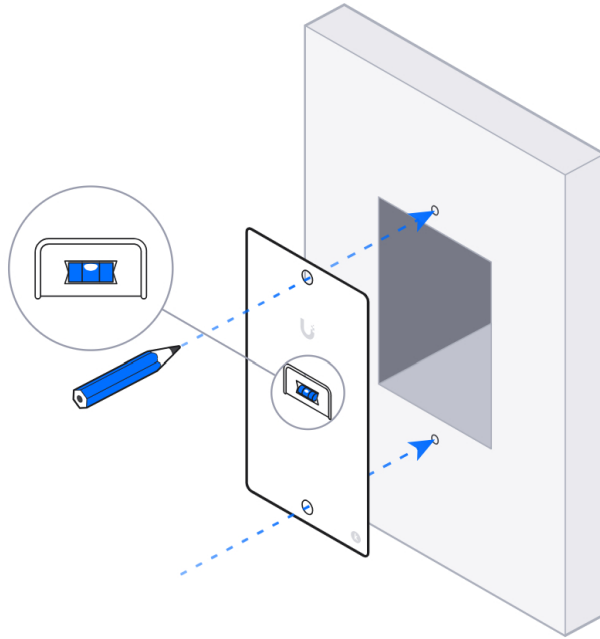


1

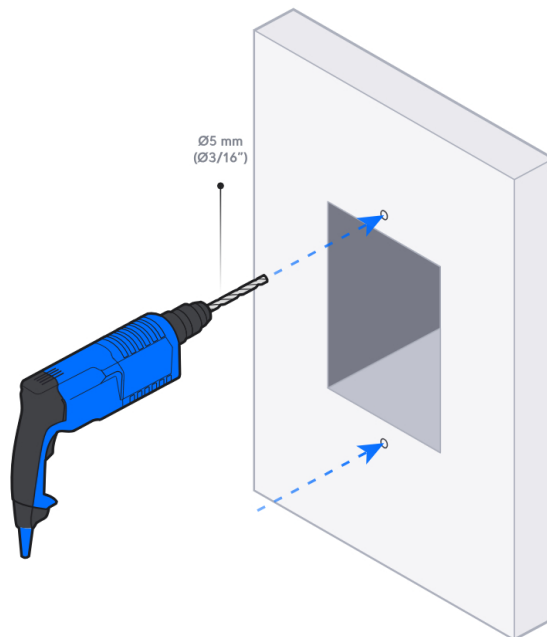




2

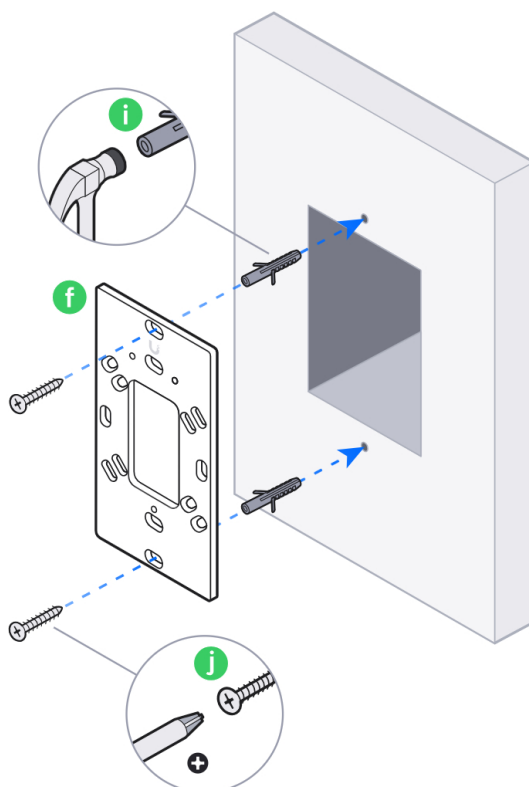
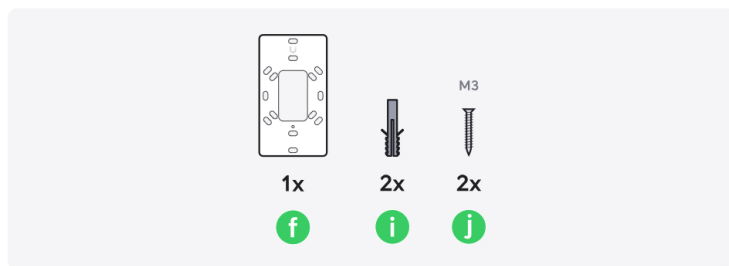


3

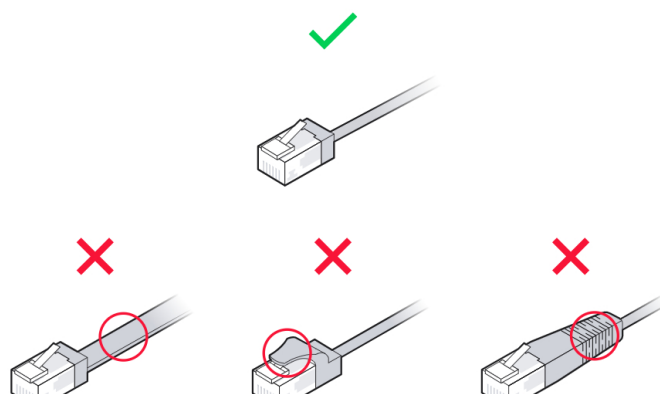
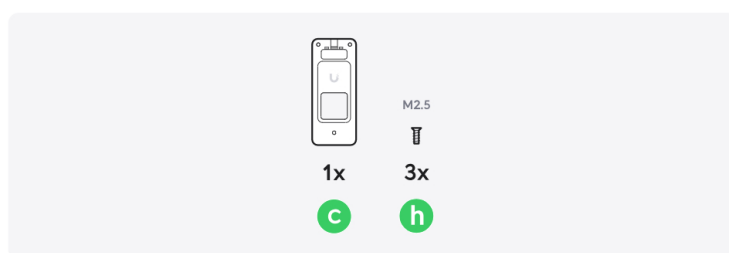


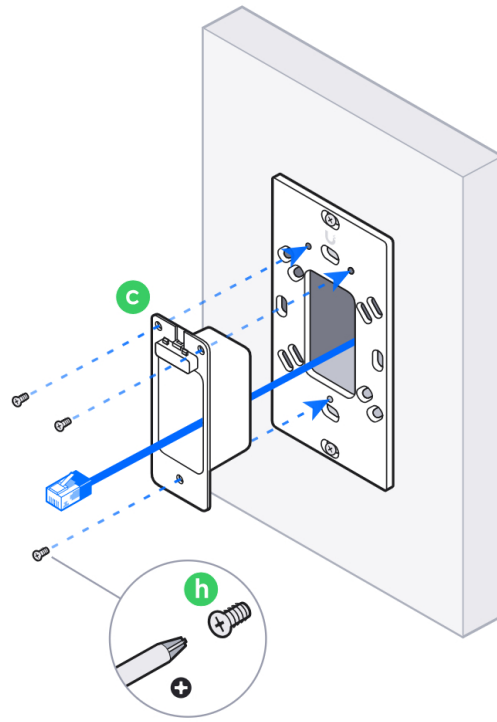
4

4

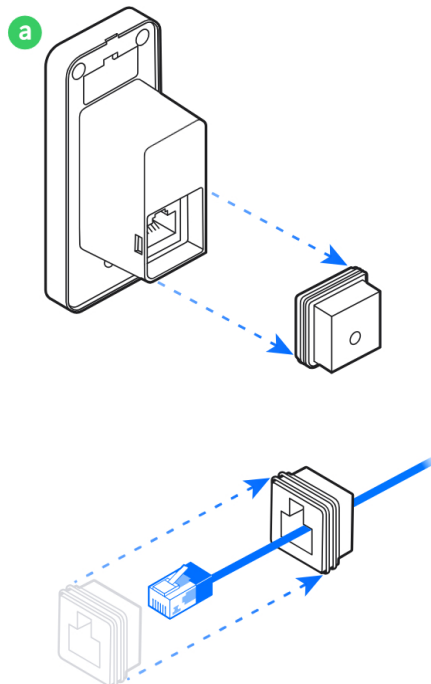
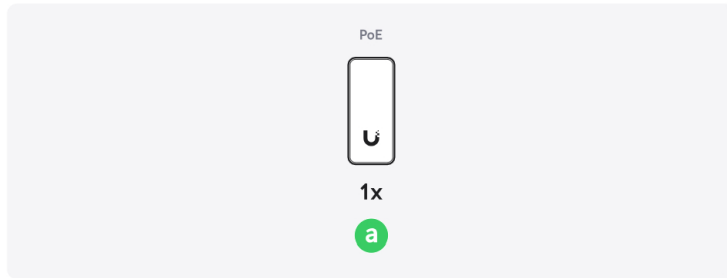


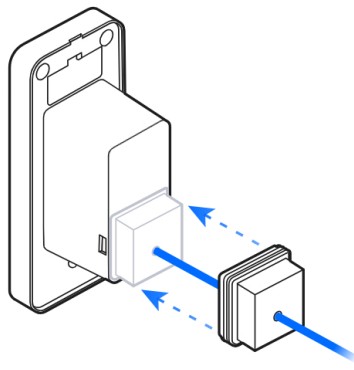
5



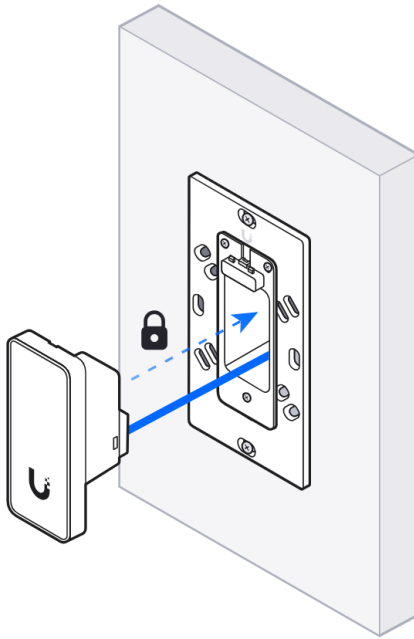


6

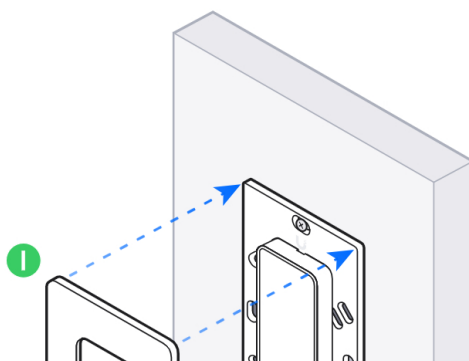
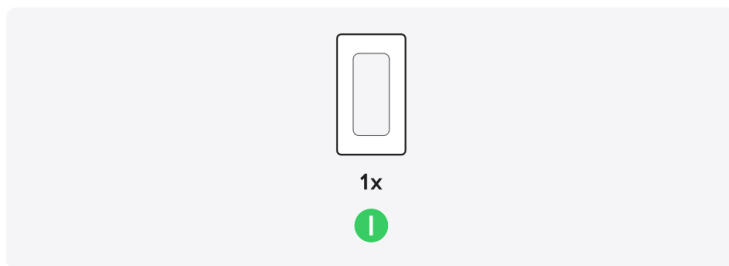


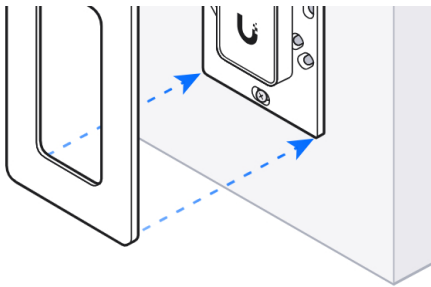


7

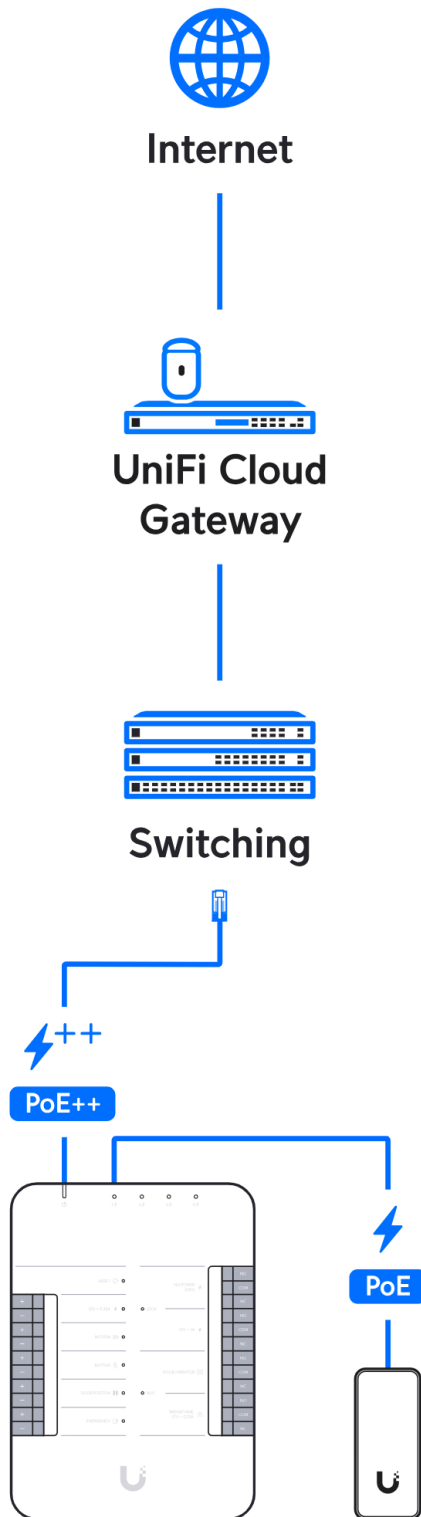


8



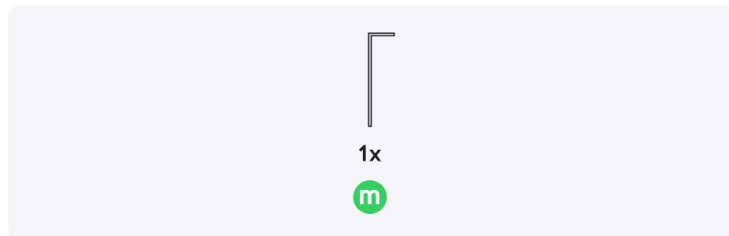
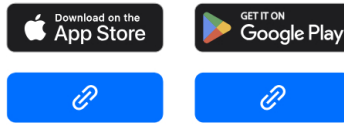


9

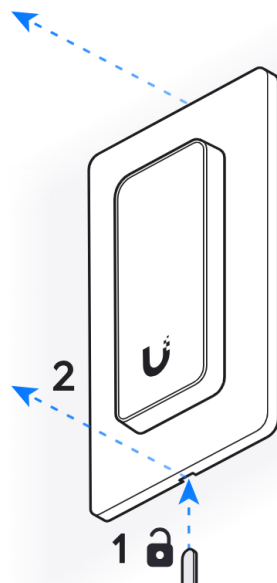


10

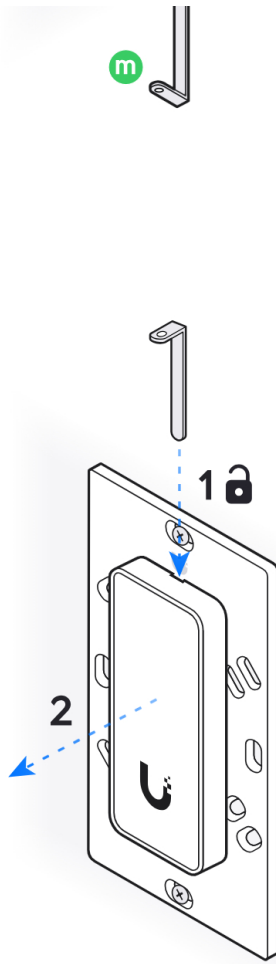
10



1

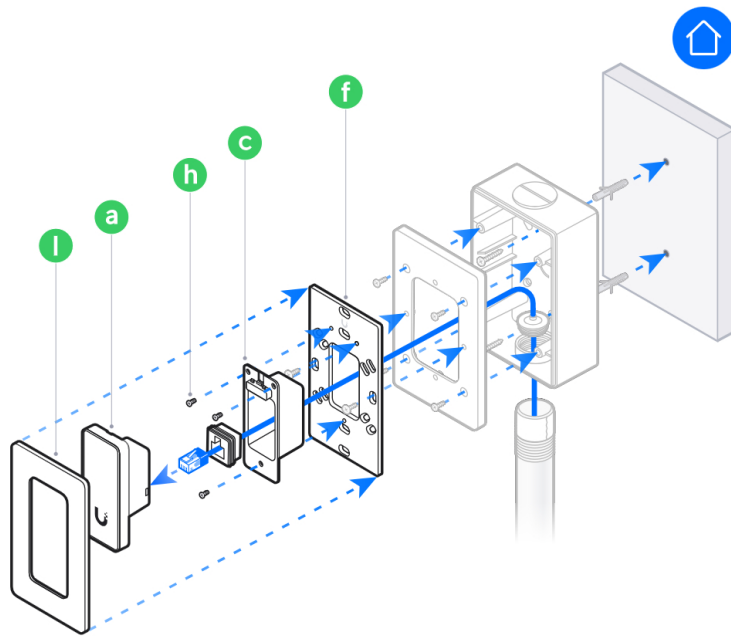


2

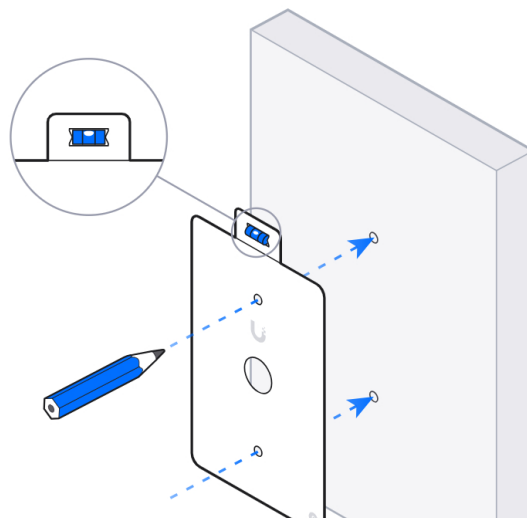


If you need further assistance, visit our [Help Center](#) or contact [Ubiquiti Support](#).

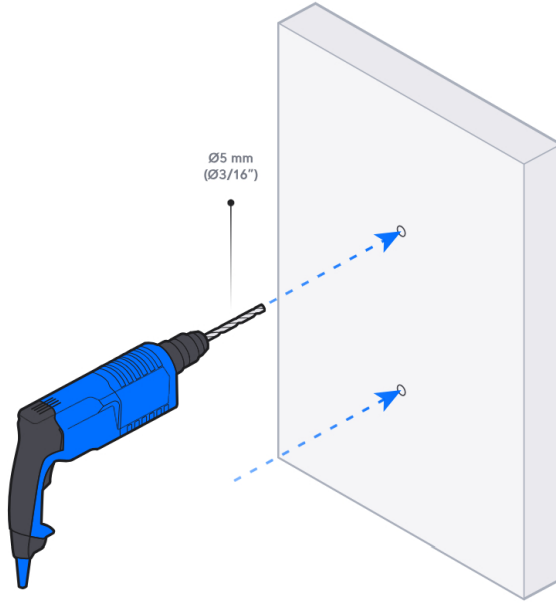
©2024 Ubiquiti Inc. All rights reserved. Ubiquiti, the Ubiquiti U logo, UHF1, and UHF1 Access are trademarks or registered trademarks of Ubiquiti Inc. in the United States and in other countries. Apple and the Apple logo are trademarks of Apple Inc., registered in the U.S. and other countries. App Store is a service mark of Apple Inc., registered in the U.S. and other countries. Android, Google, Google Play, and the Google Play logo are trademarks of Google LLC.



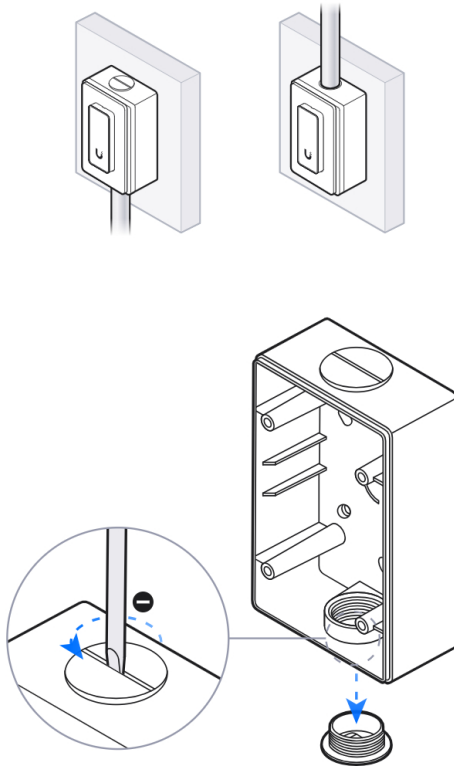
1



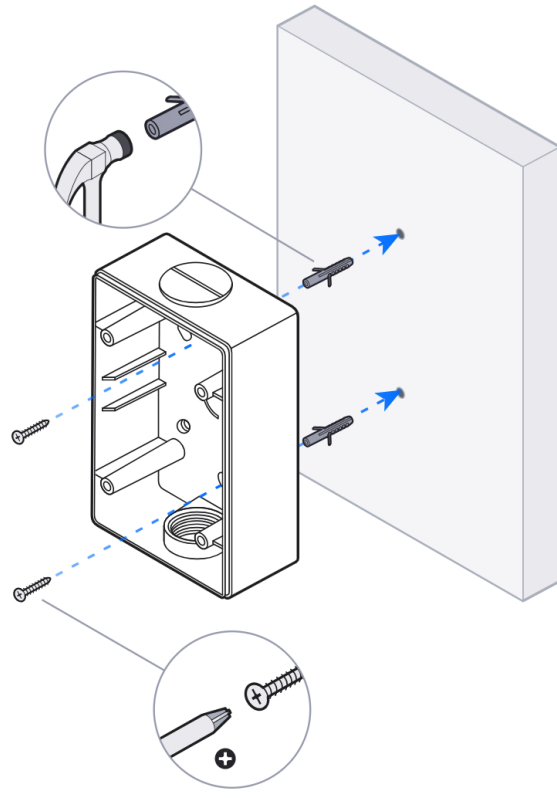
2



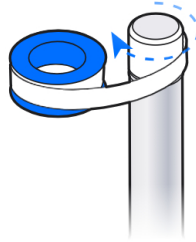
3



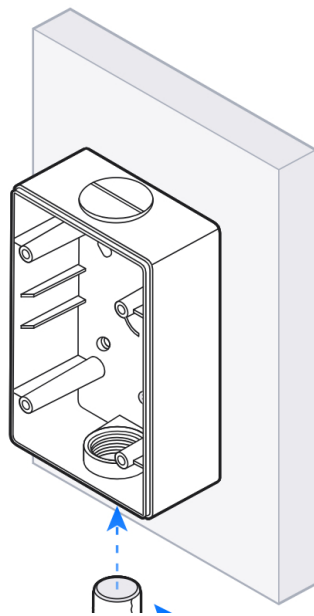
4



5

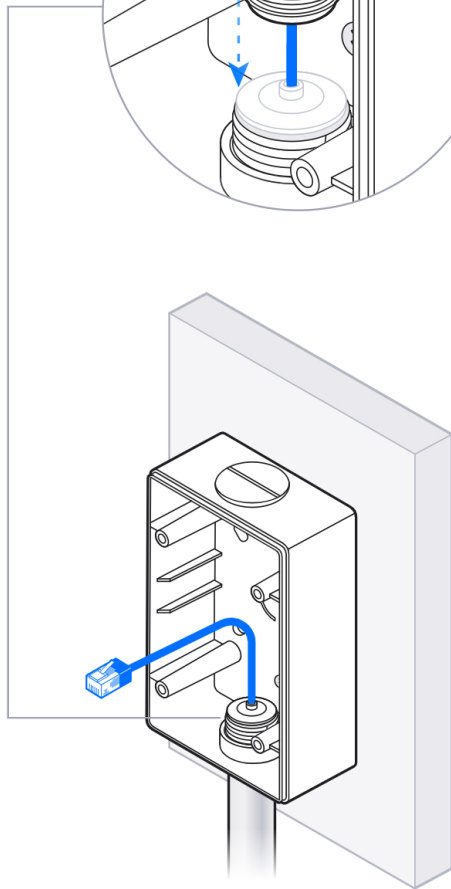
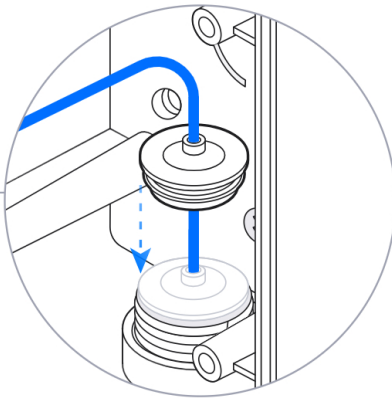
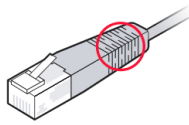
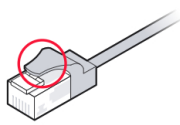
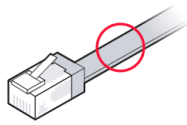
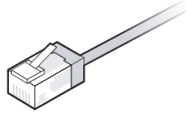


6

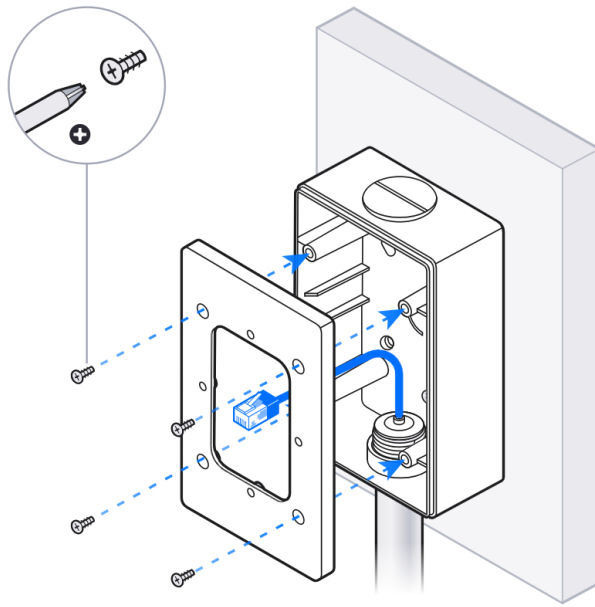




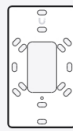
7



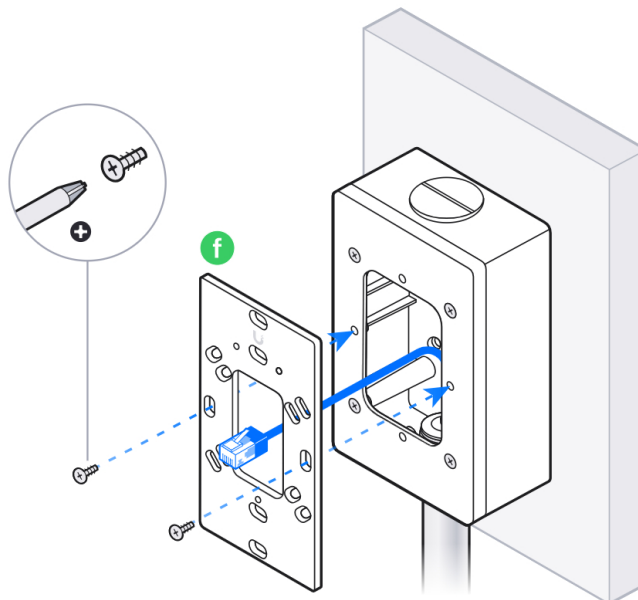
8



9



1x



10



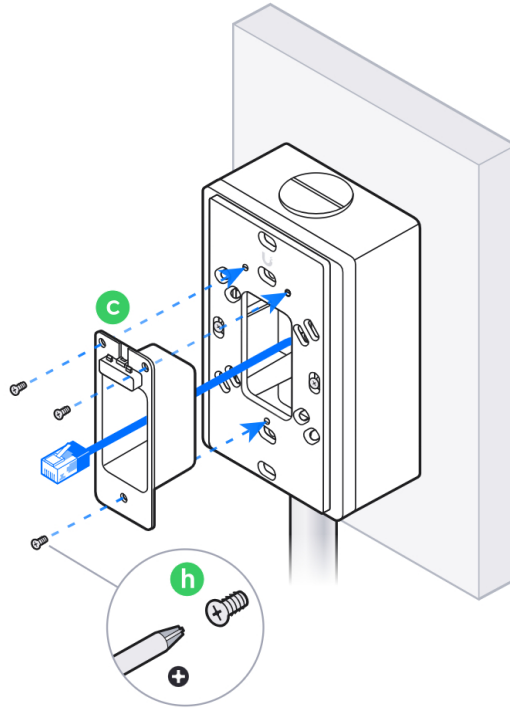
M2.5



1x 3x

c

h



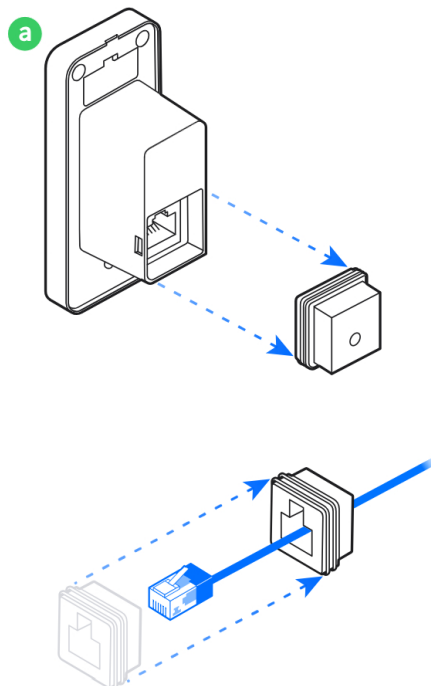
11

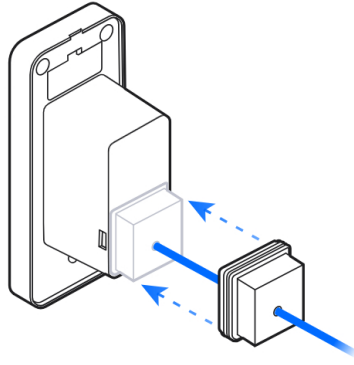
PoE



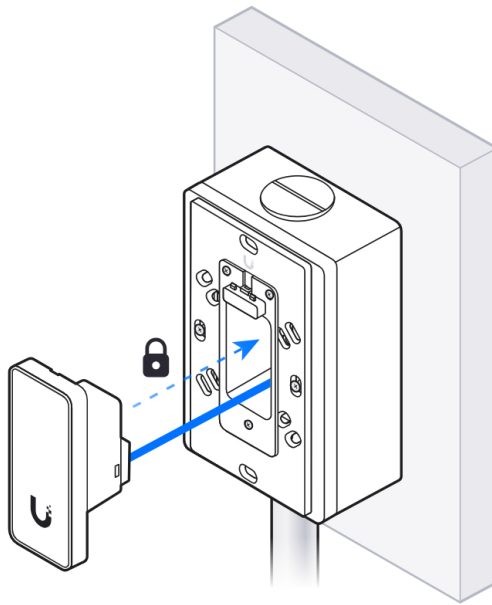
1x

a

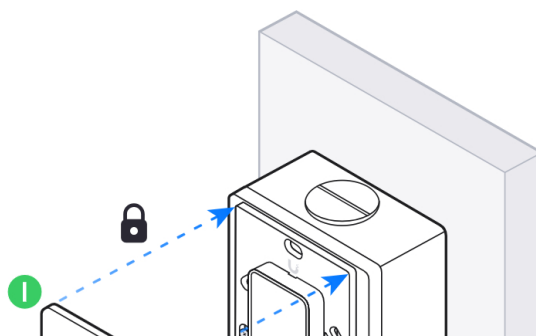
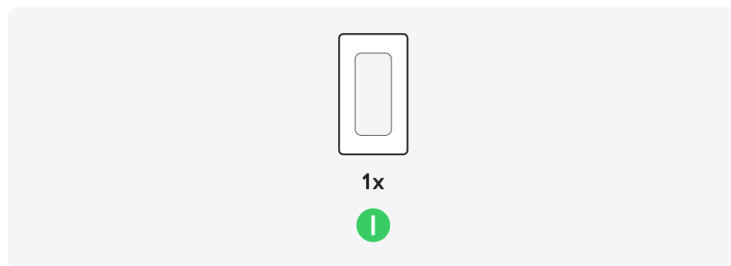


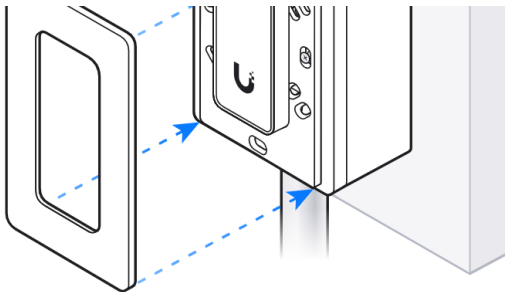


12

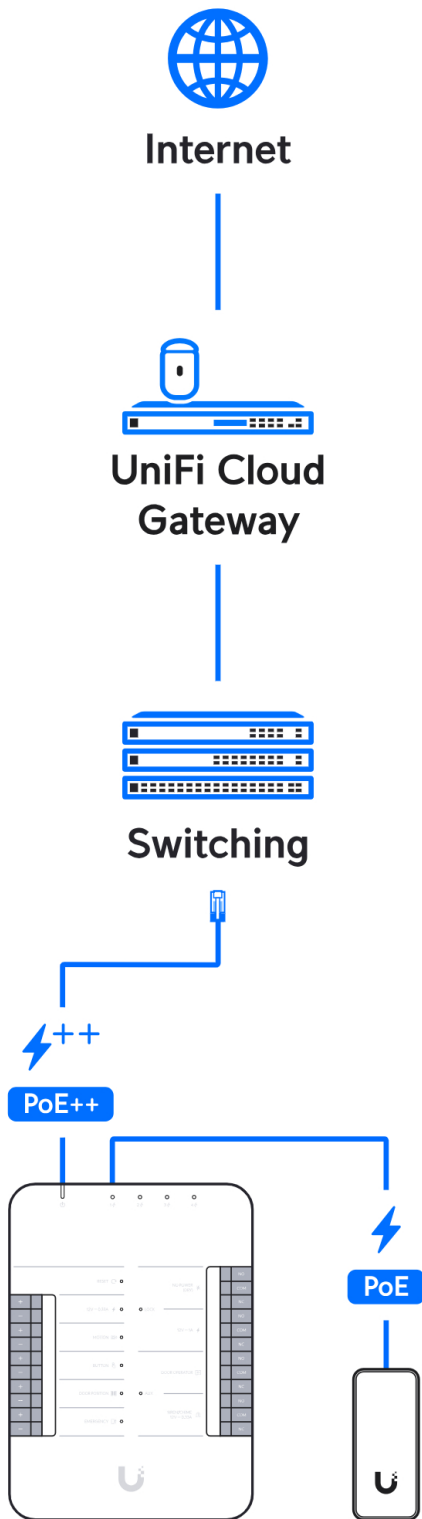


13

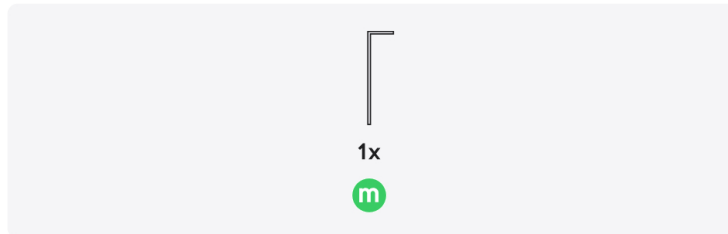
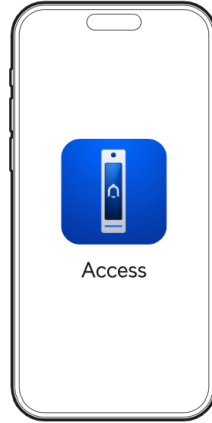
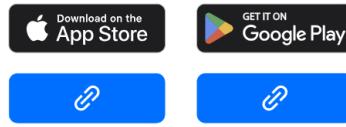




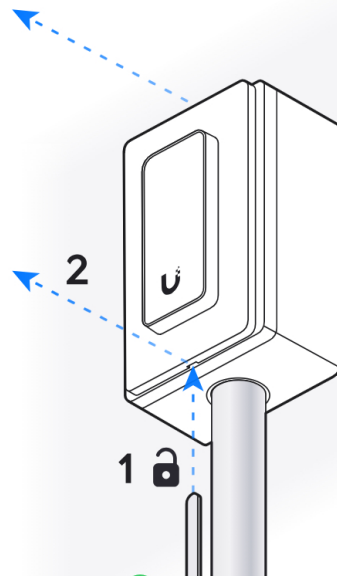
14



15

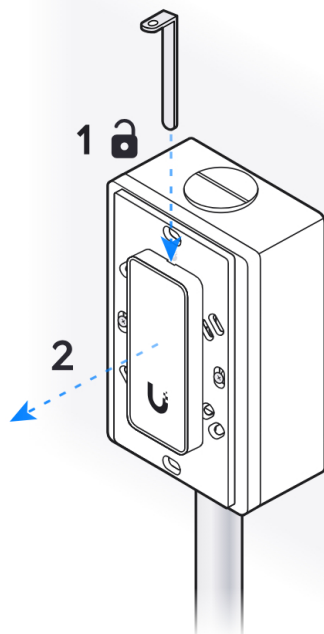


1





2



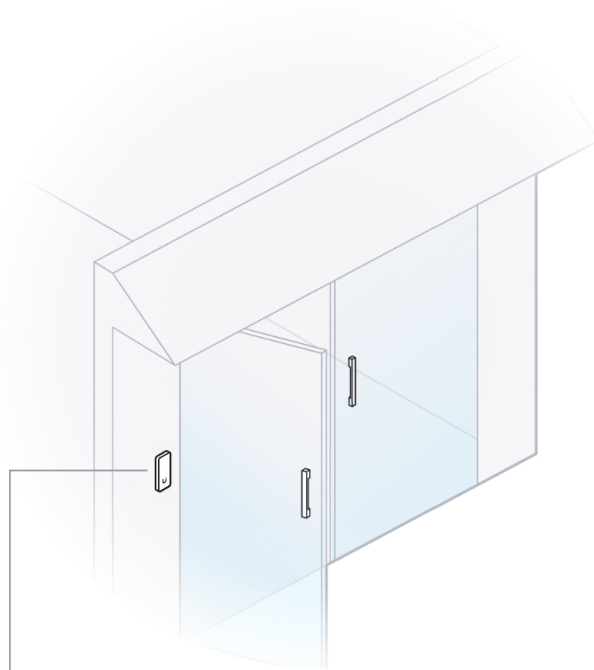
If you need further assistance, visit our [Help Center](#) or contact [Ubiquiti Support](#).



Pocket Keyfob



2x



If you need further assistance, visit our [Help Center](#) or contact [Ubiquiti Support](#).

©2024 Ubiquiti Inc. All rights reserved. Ubiquiti, the Ubiquiti U logo, UniFi, and UniFi Access are trademarks or registered trademarks of Ubiquiti Inc. in the United States and in other countries. Apple and the Apple logo are trademarks of Apple Inc., registered in the U.S. and other countries. App Store is a service mark of Apple Inc., registered in the U.S. and other countries. Android, Google, Google Play, and the Google Play logo are trademarks of Google LLC.