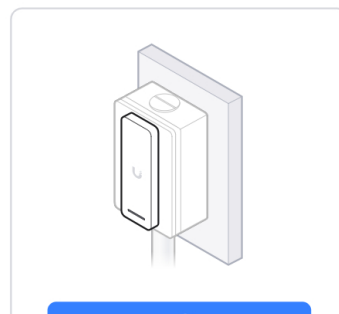
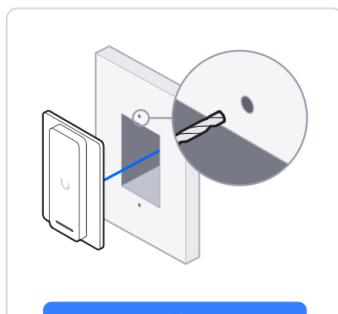
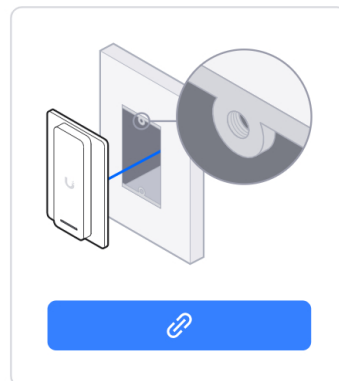
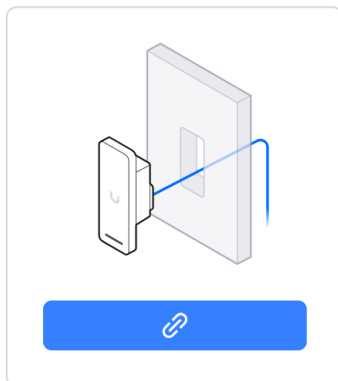
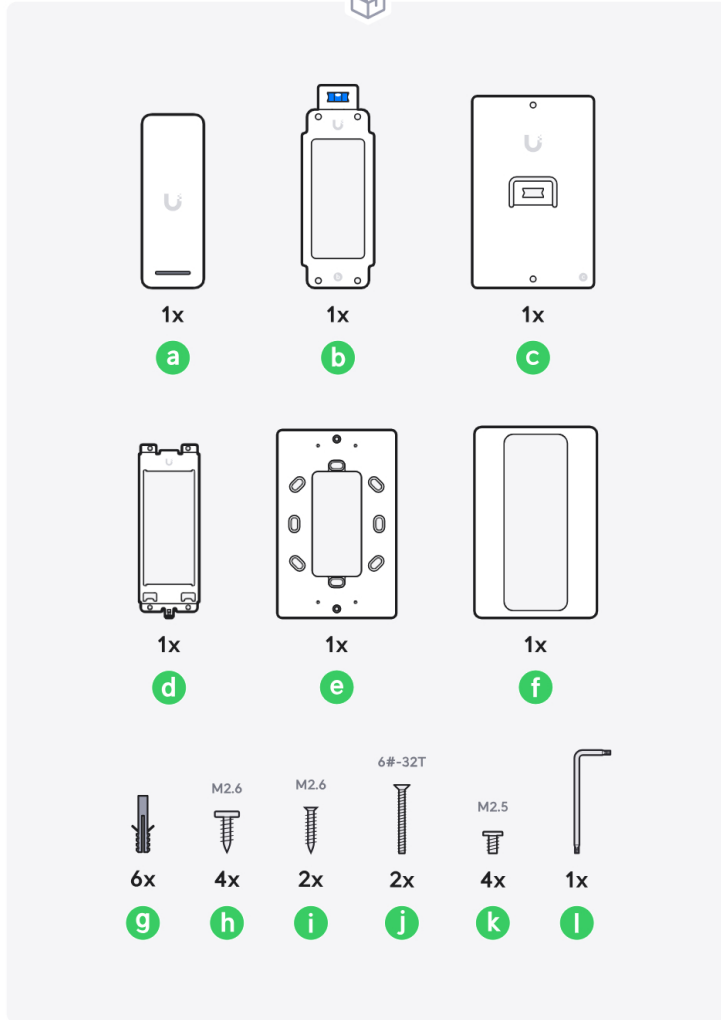
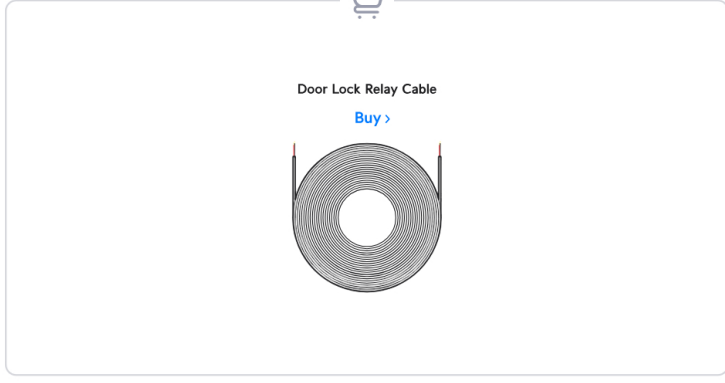
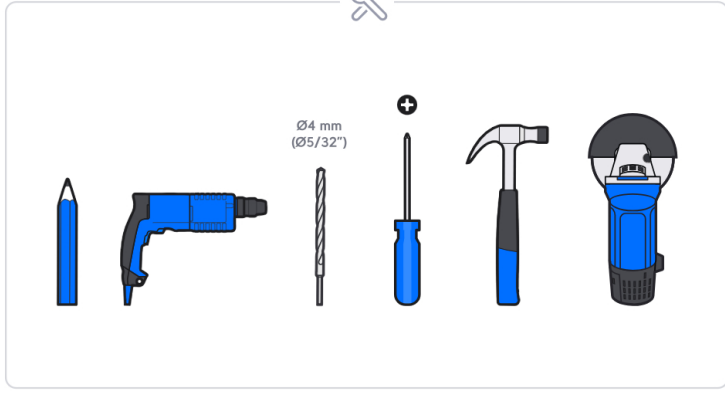
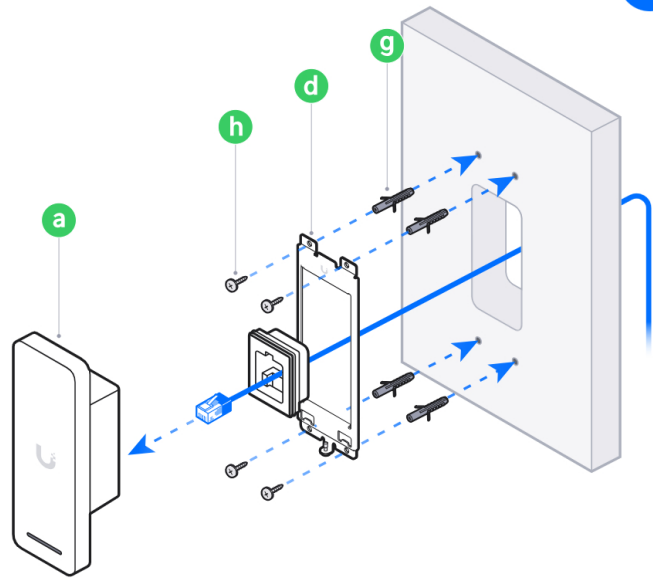




Access Ultra

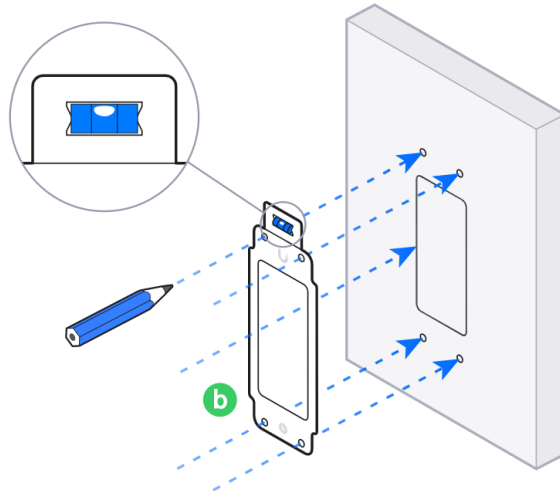
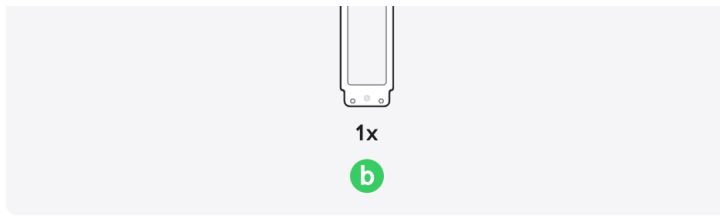




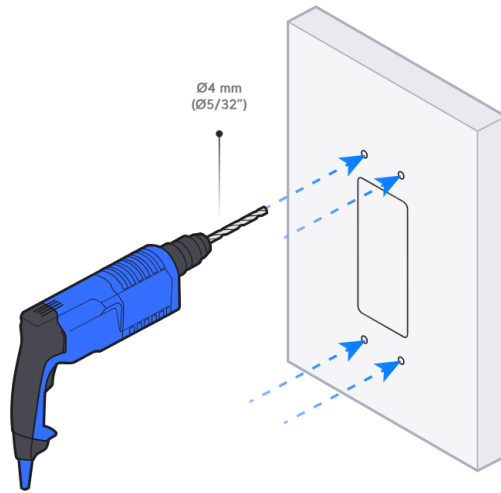


1

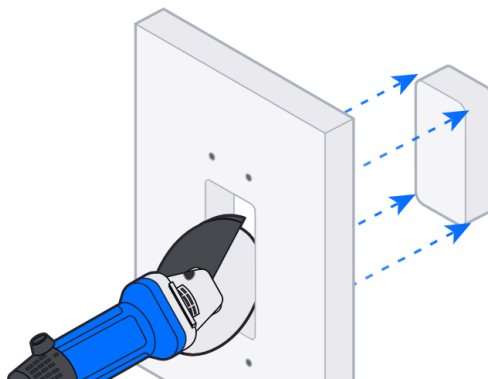




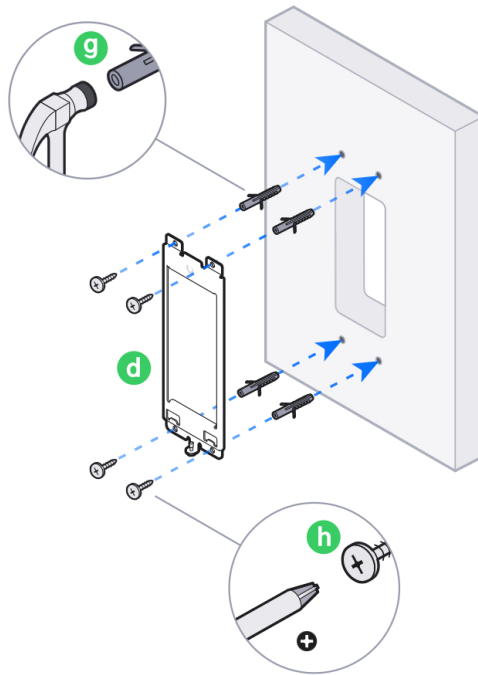
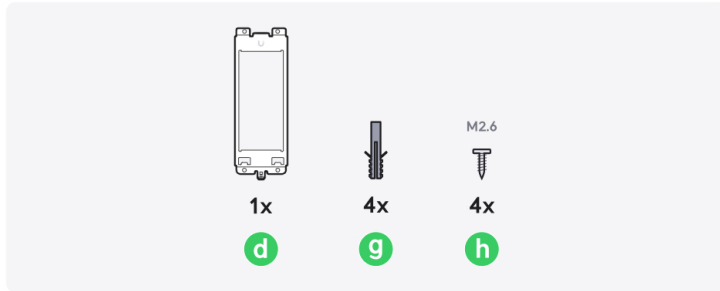
2



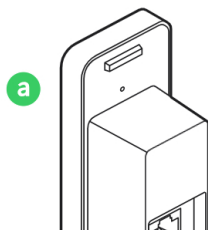
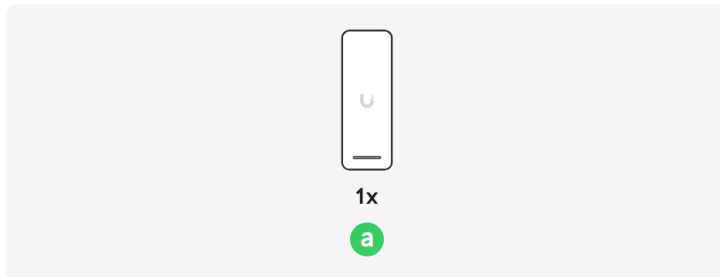
3

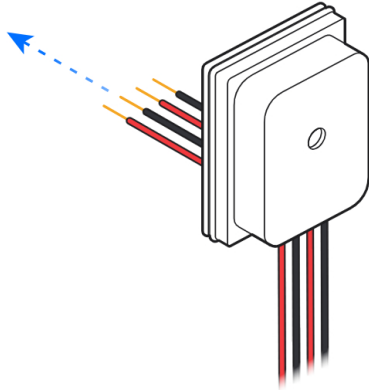
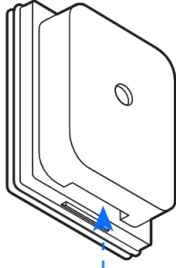
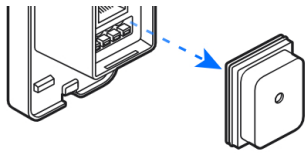


4

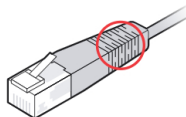
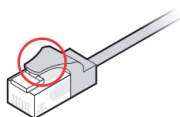
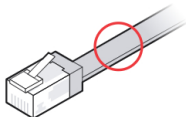
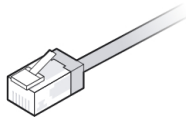


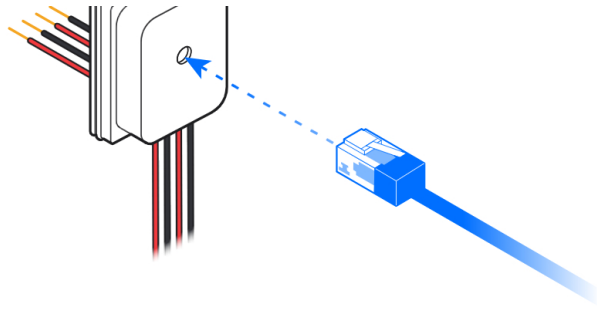
5



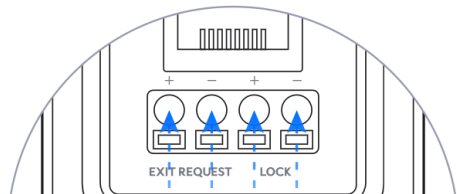
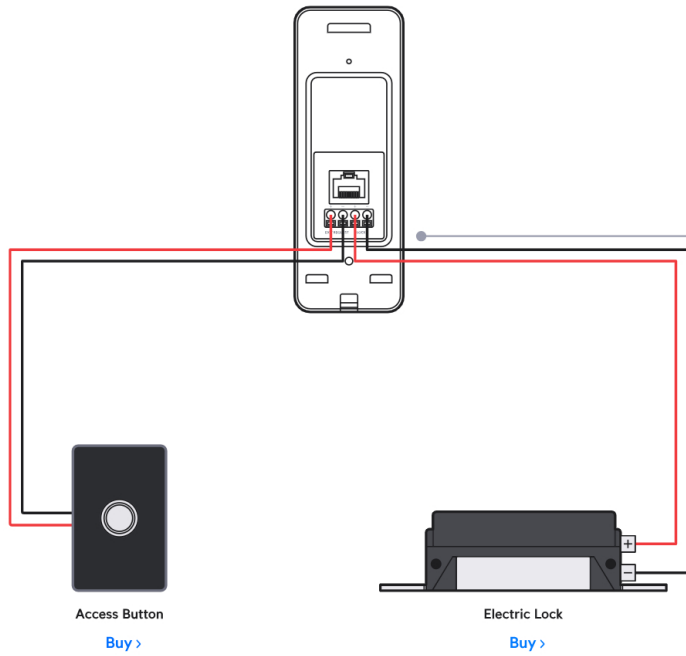
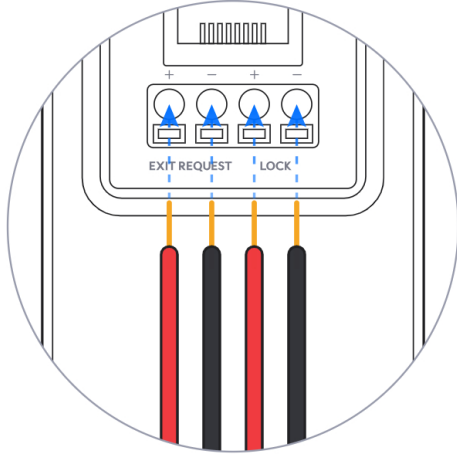


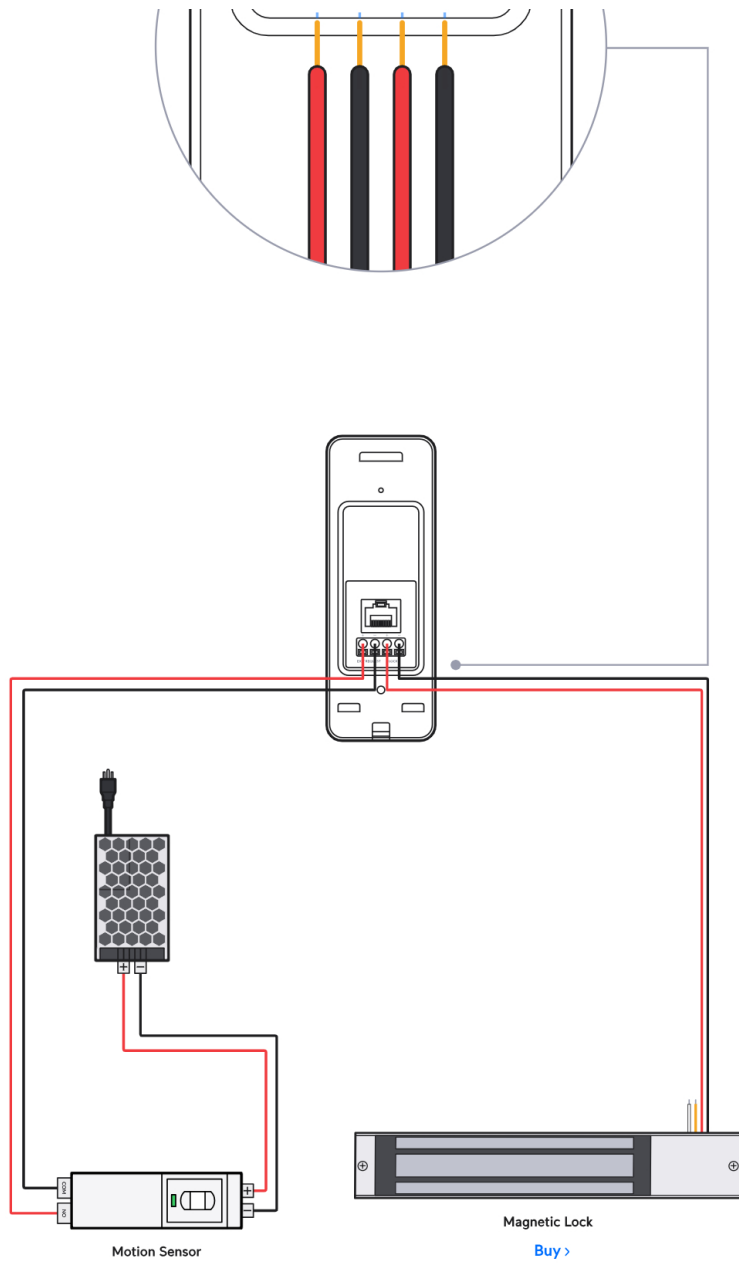
6



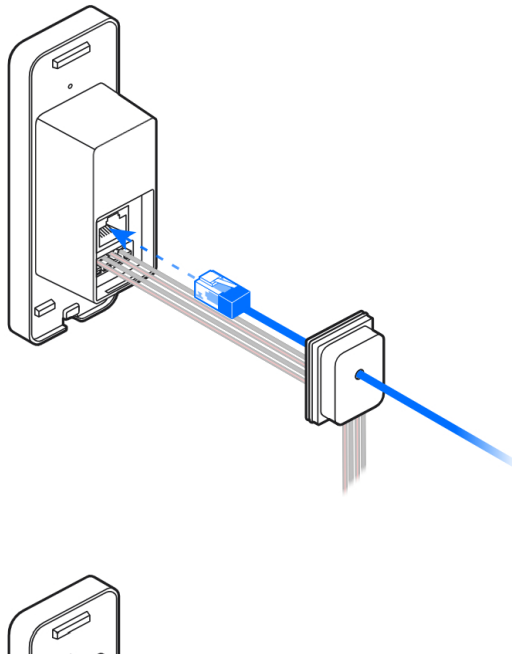


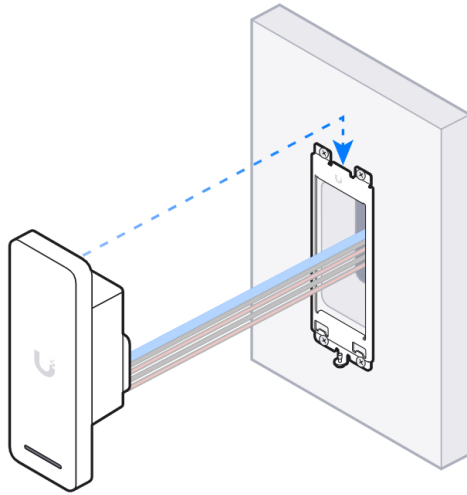
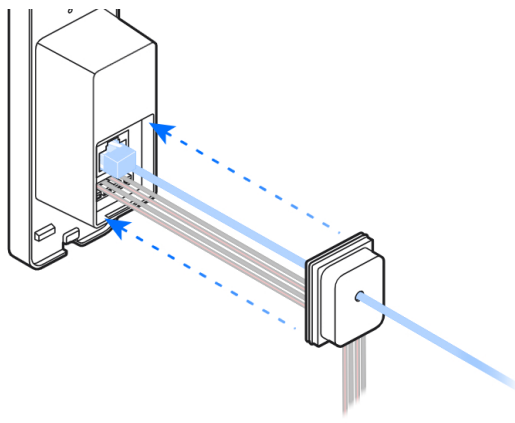
7



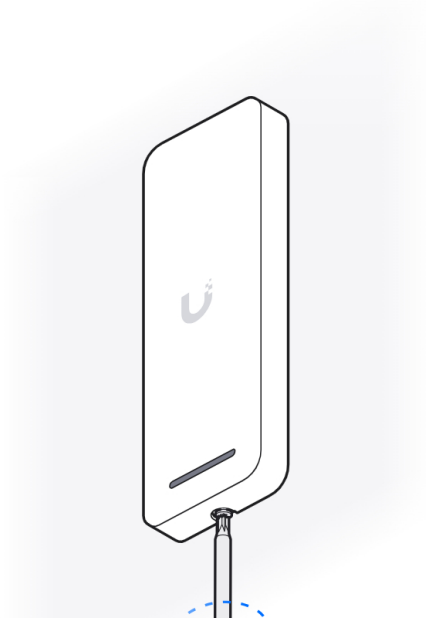
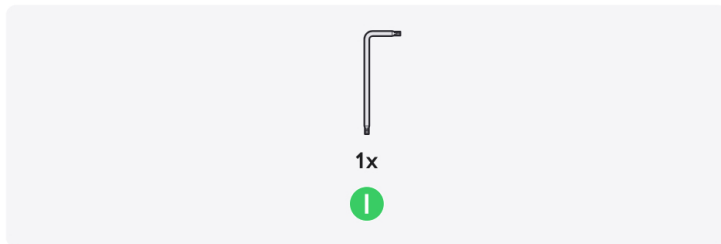


8





9



10



Internet



UniFi Cloud
Gateway



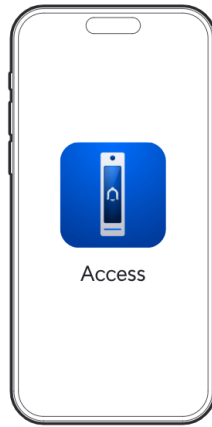
Switching



PoE+

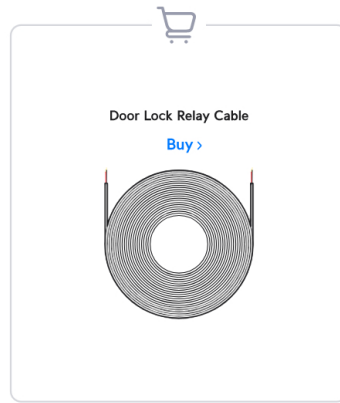
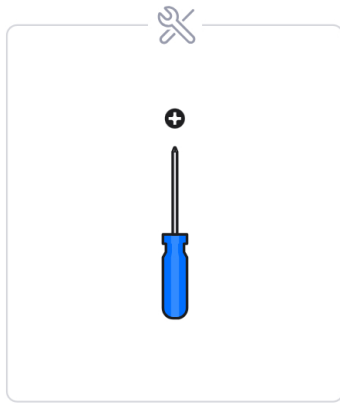
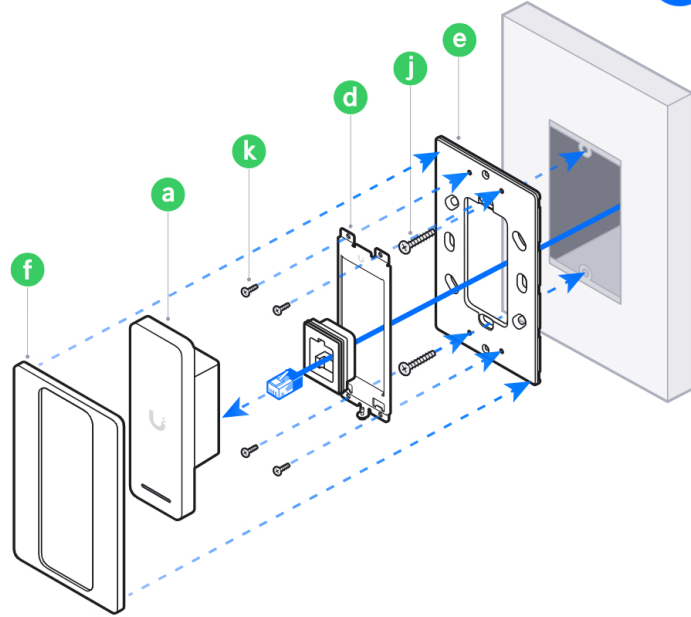


11

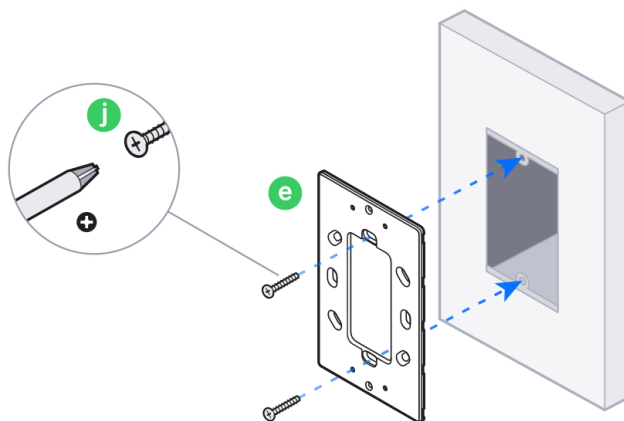
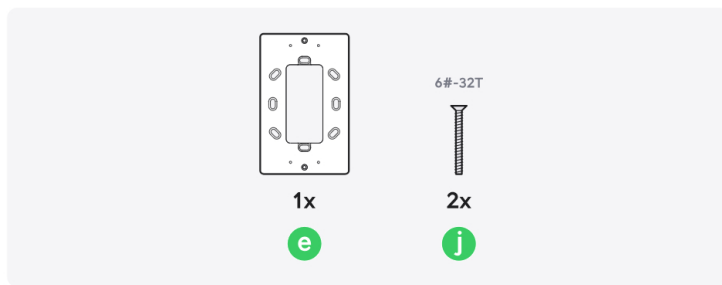


If you need further assistance, visit our [Help Center](#) or contact [Ubiquiti Support](#).

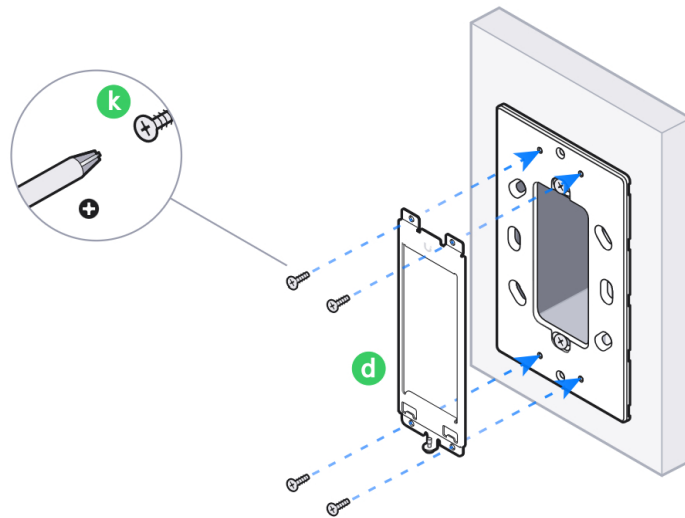
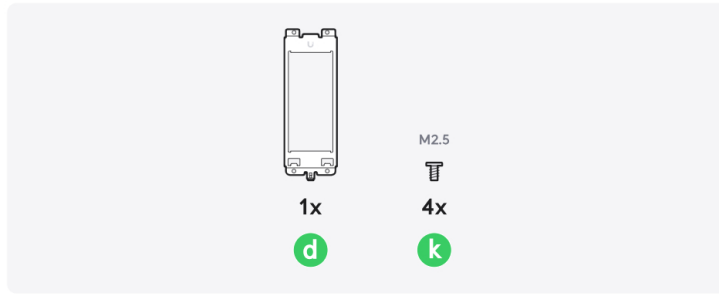
©2024 Ubiquiti Inc. All rights reserved. Ubiquiti, the Ubiquiti U logo, UniFi, and UniFi Access are trademarks or registered trademarks of Ubiquiti Inc. in the United States and in other countries. Apple and the Apple logo are trademarks of Apple Inc., registered in the U.S. and other countries. App Store is a service mark of Apple Inc., registered in the U.S. and other countries. Android, Google, Google Play, and the Google Play logo are trademarks of Google LLC.



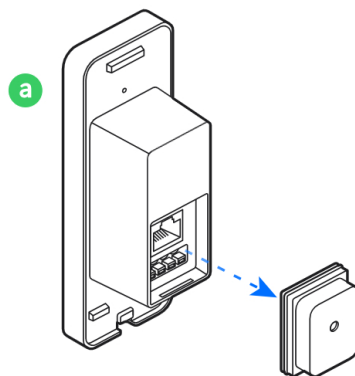
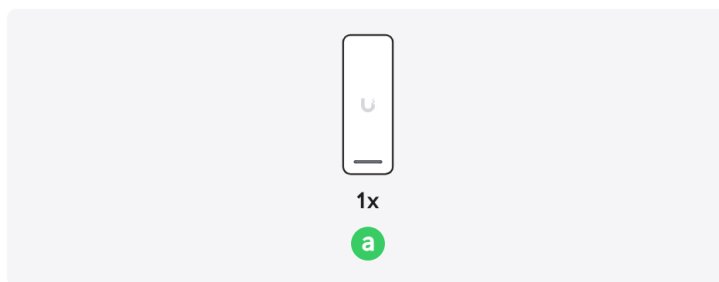
1

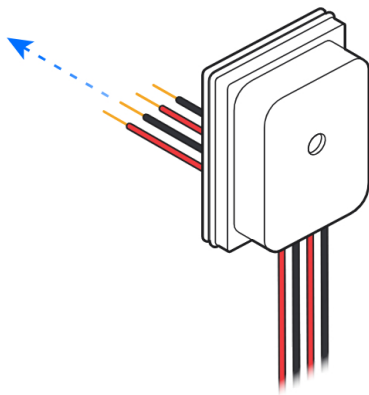
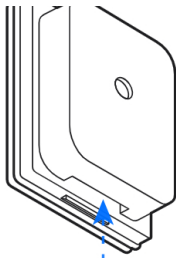


2

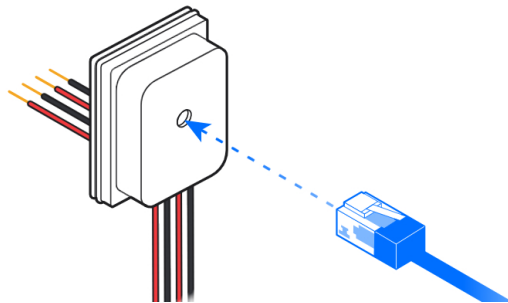
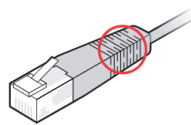
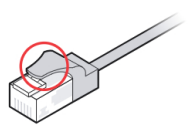
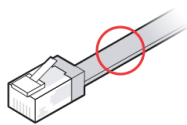
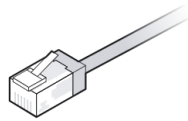


3

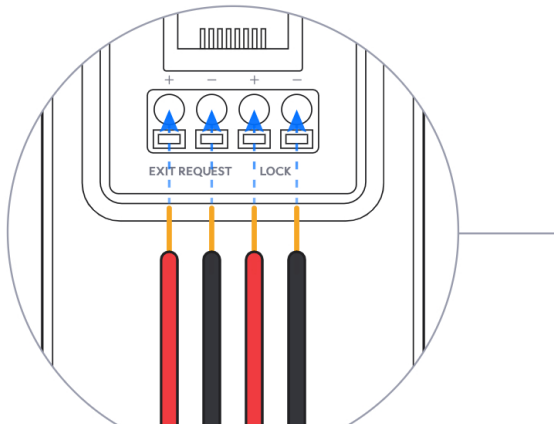
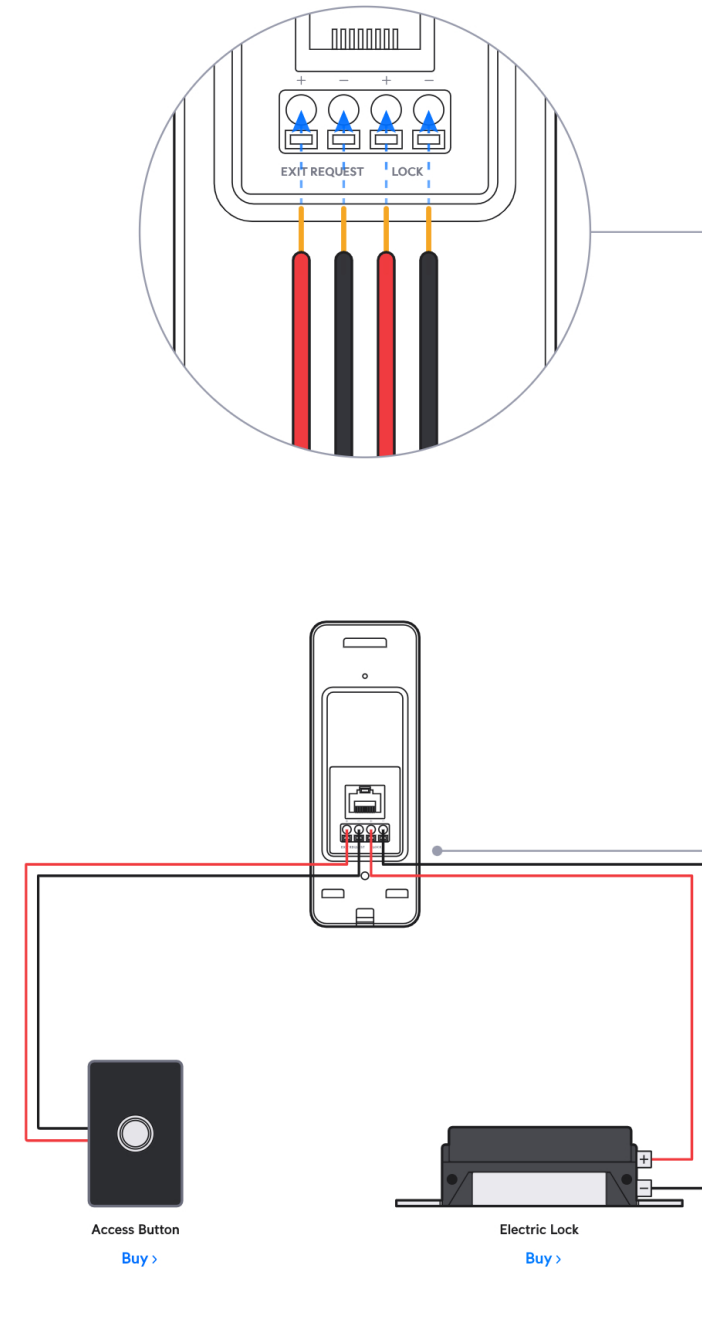


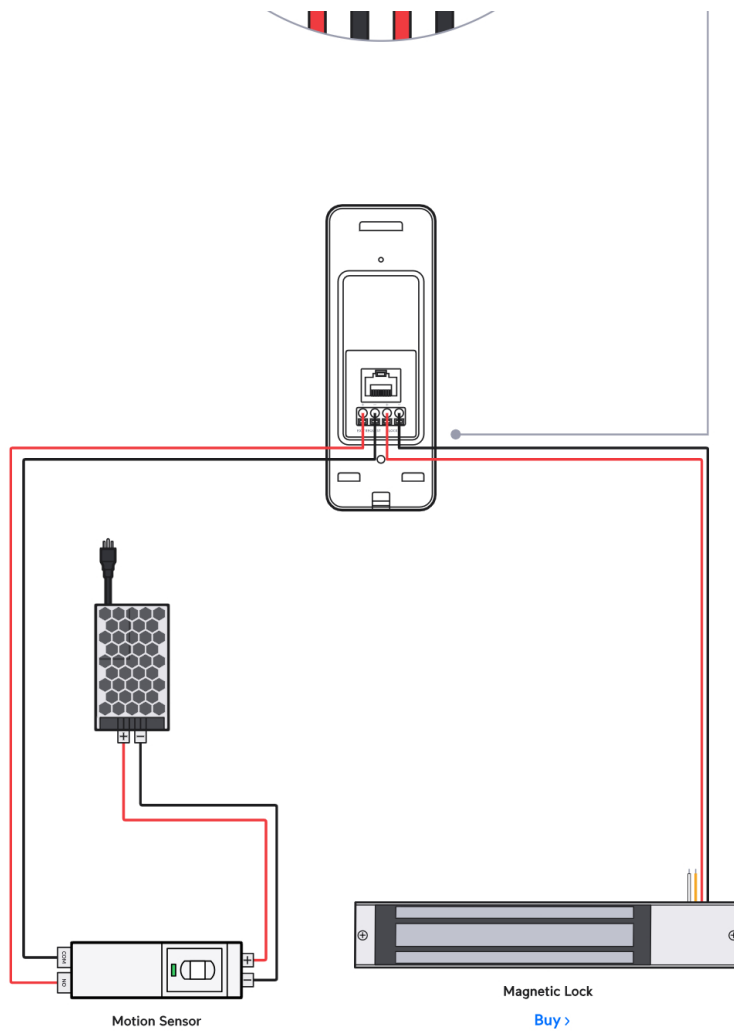


4

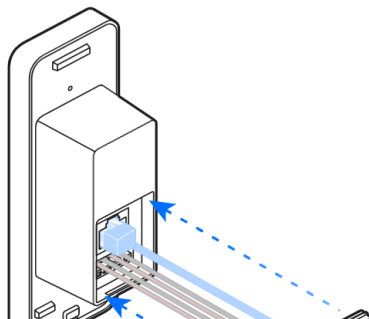
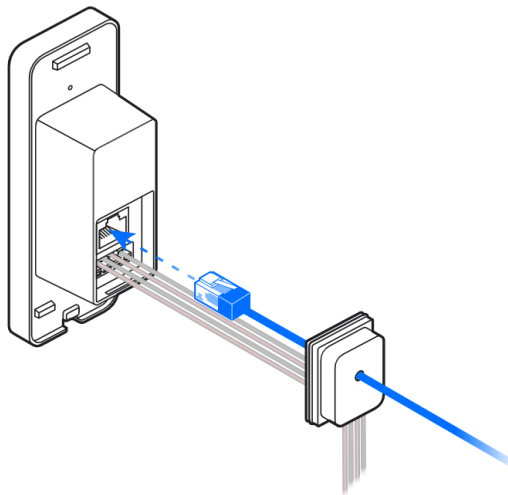


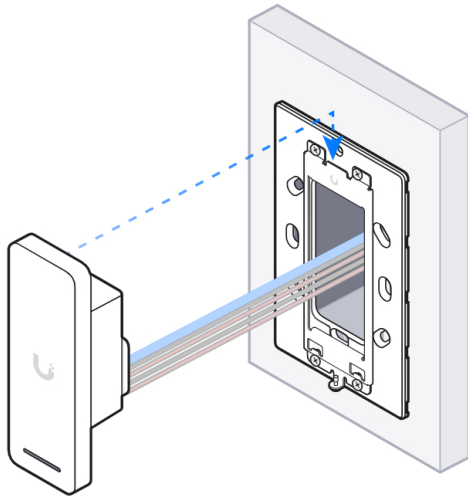
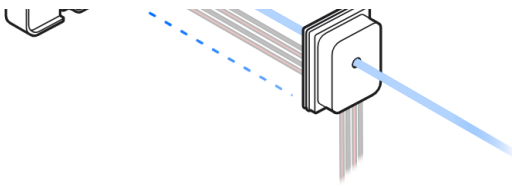
5



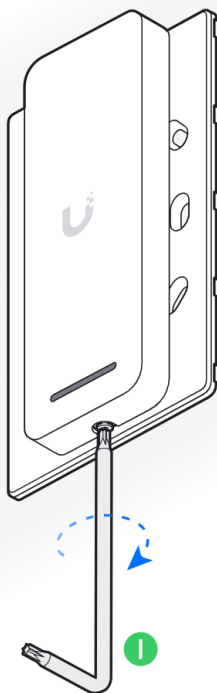
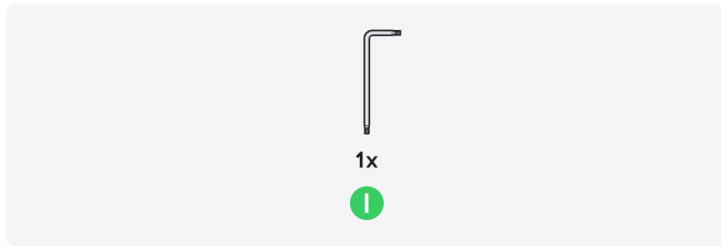


6

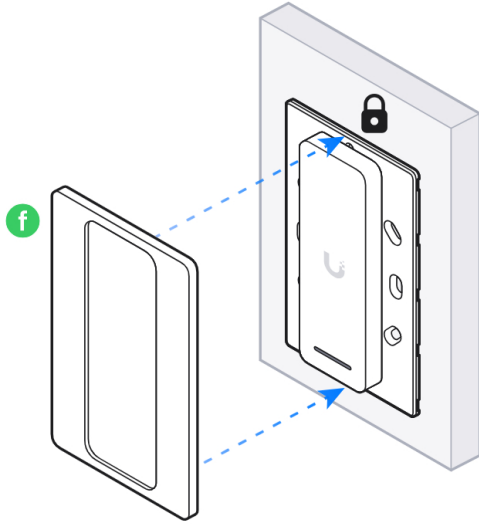
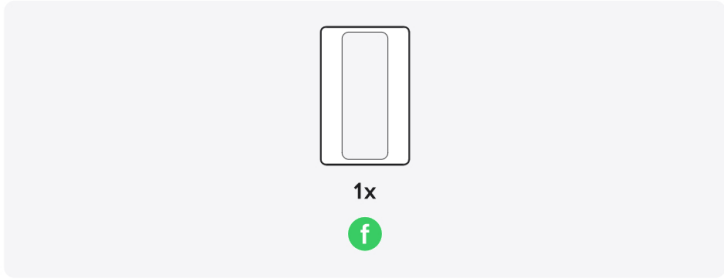




7



8



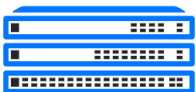
9



Internet



UniFi Cloud
Gateway

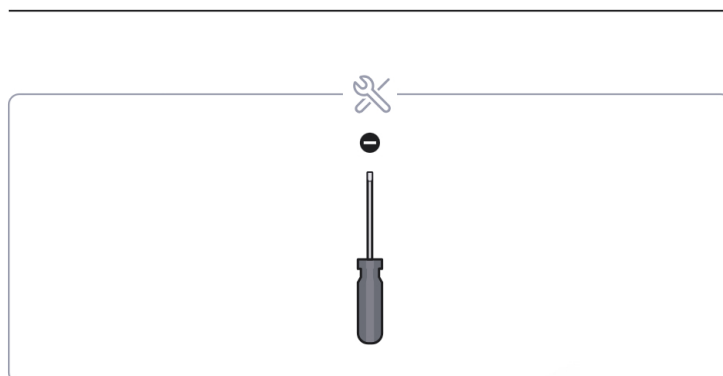
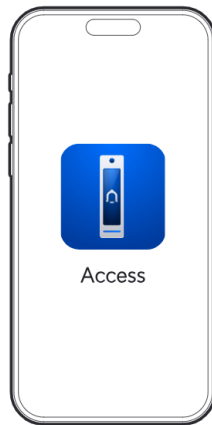
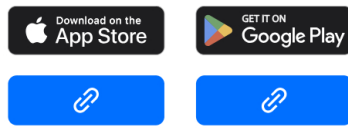


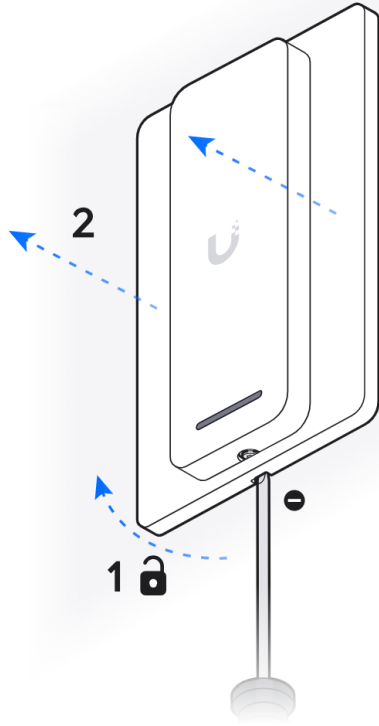
Switching



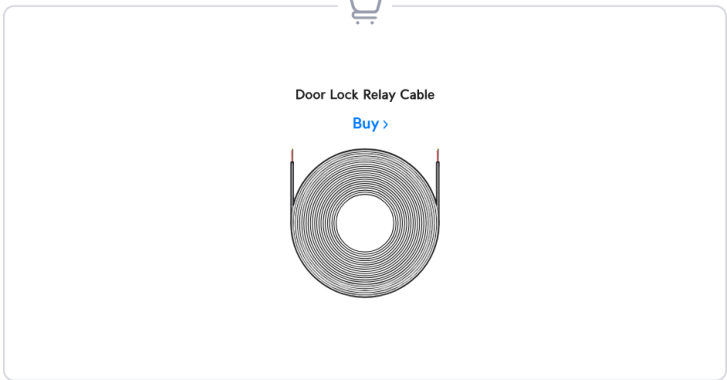
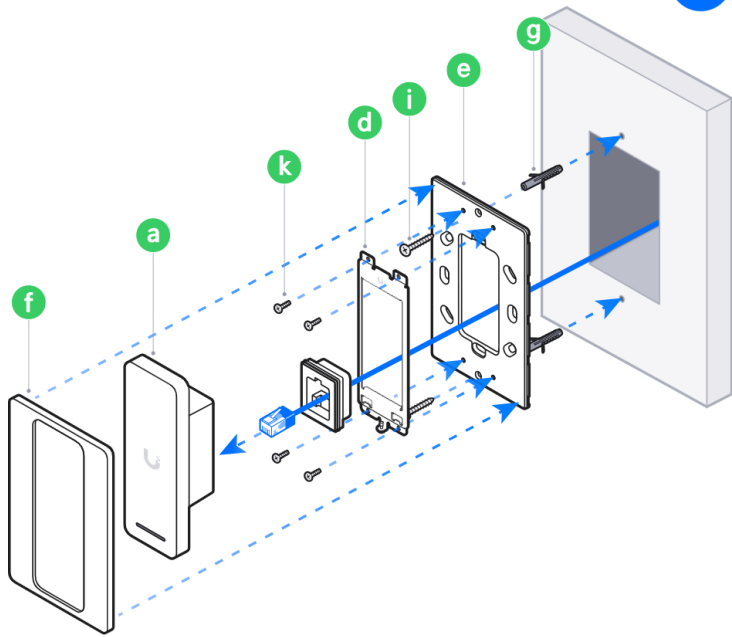


10

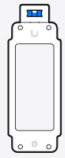




If you need further assistance, visit our [Help Center](#) or contact [Ubiquiti Support](#).



1



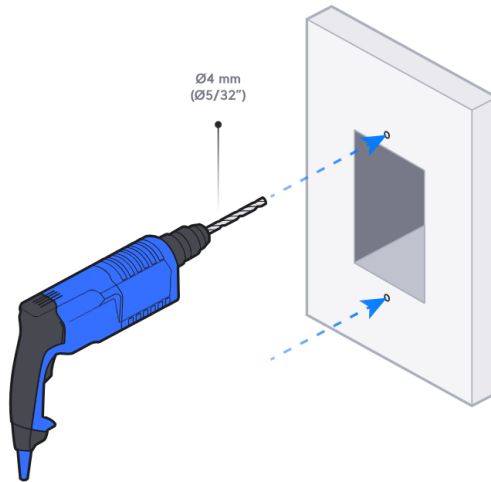
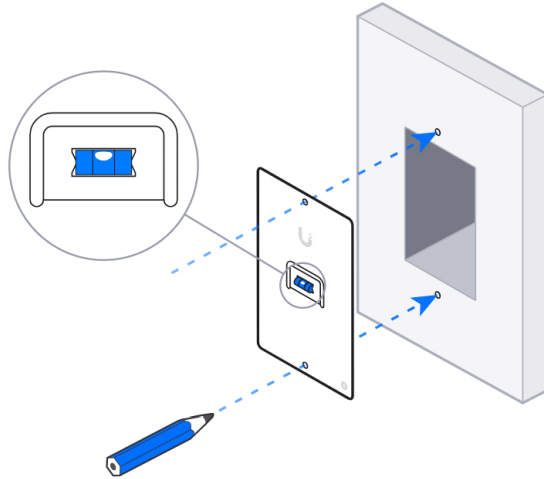
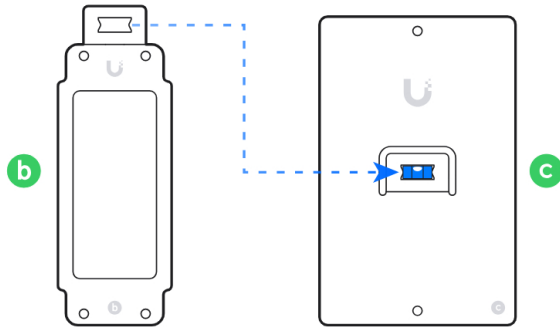
1x

b

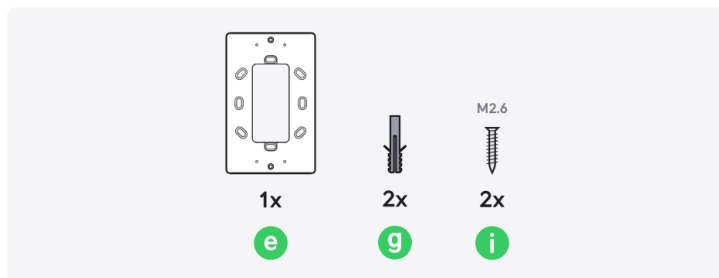


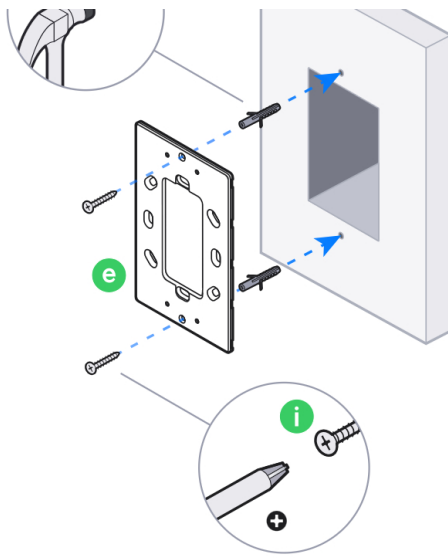
1x

c

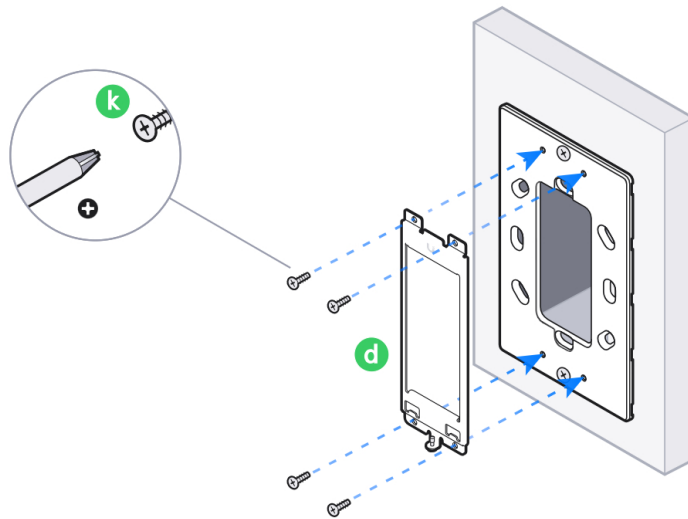
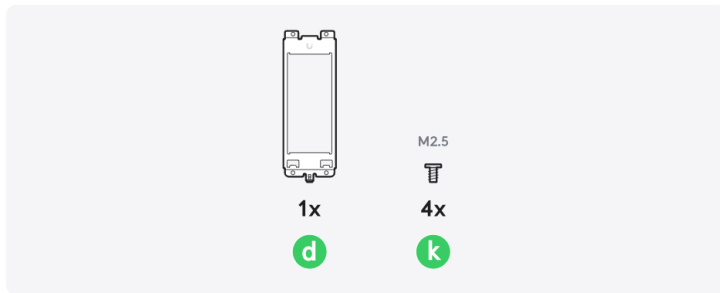


2

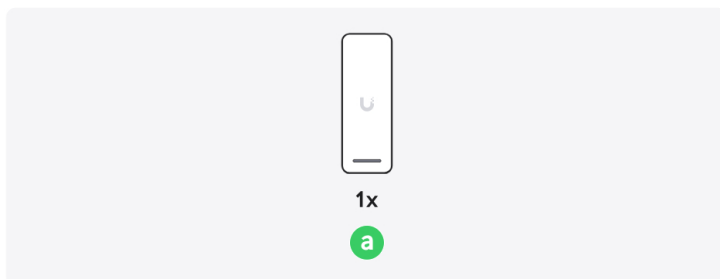


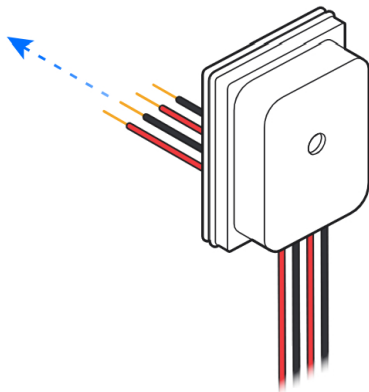
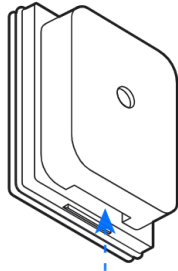
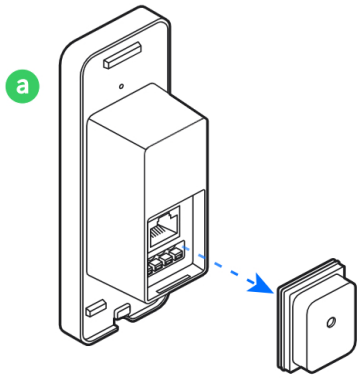


3

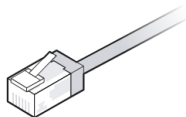


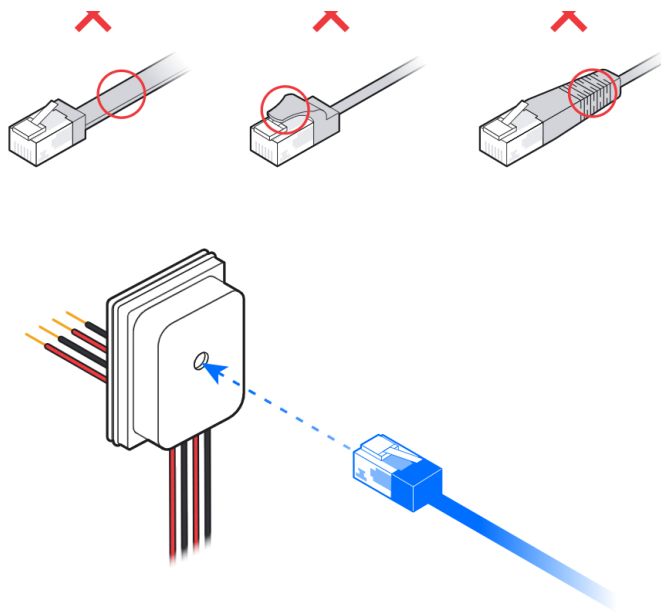
4



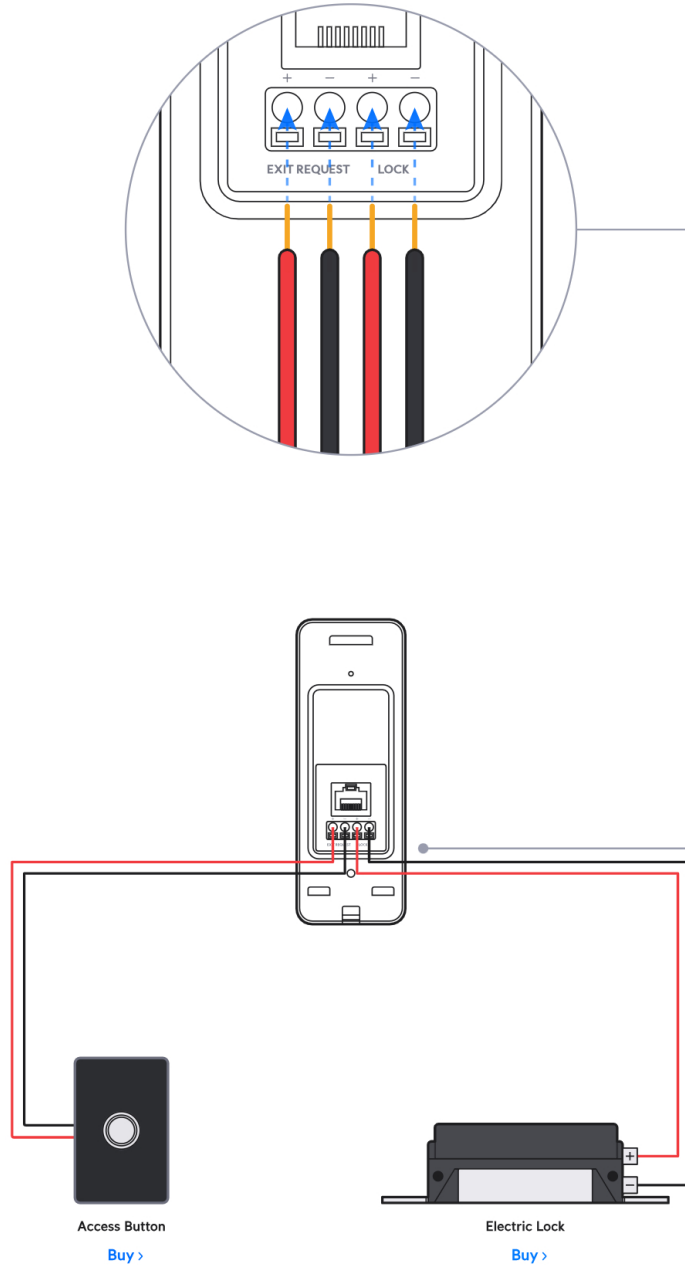


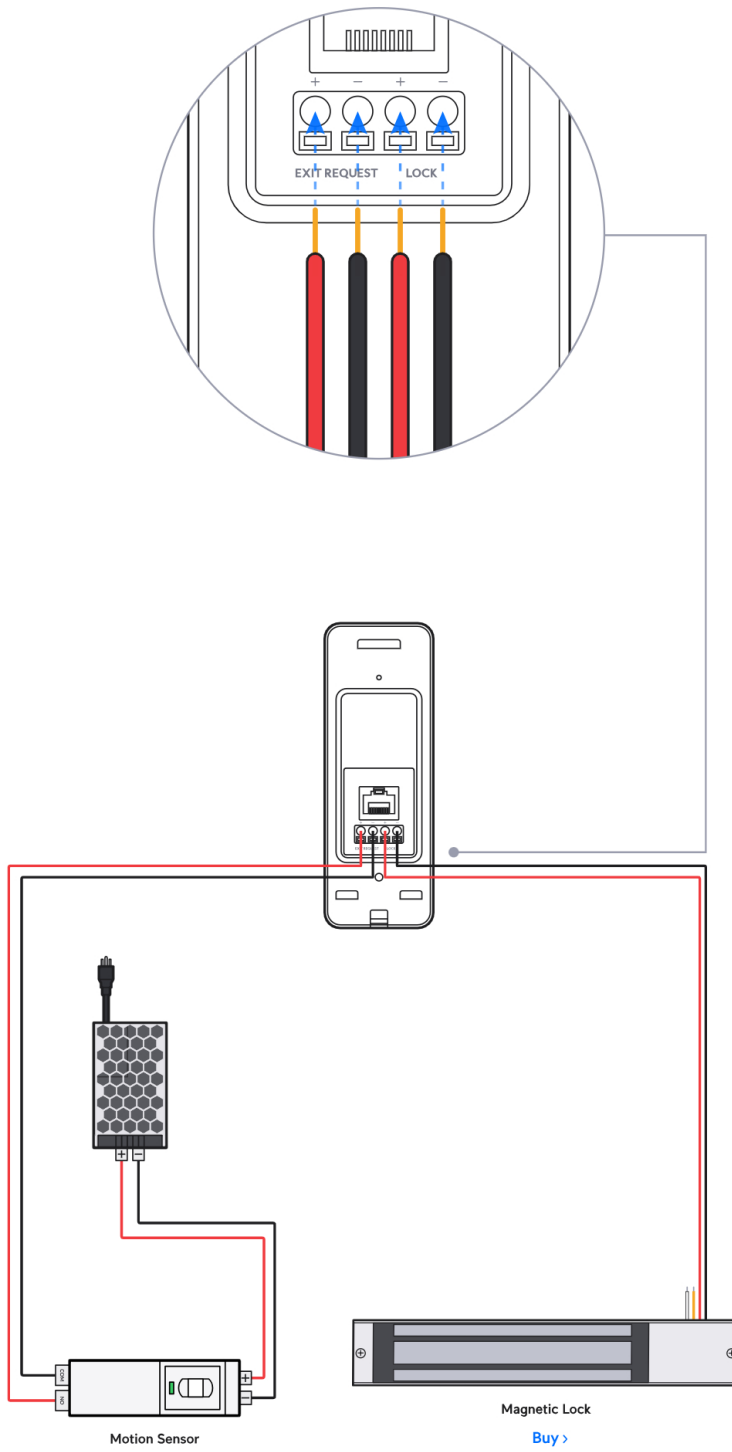
5



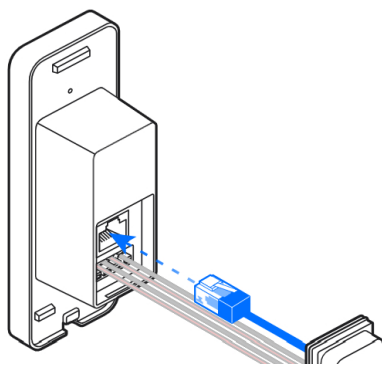


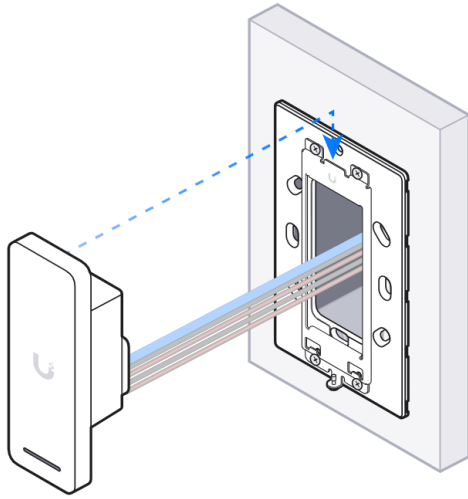
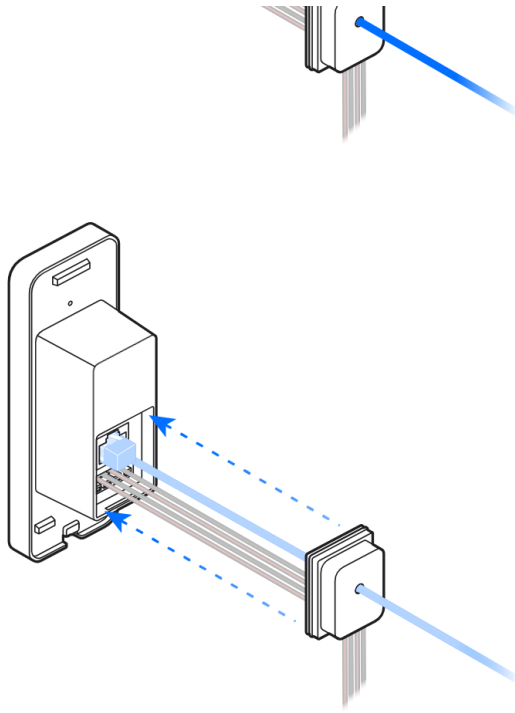
6



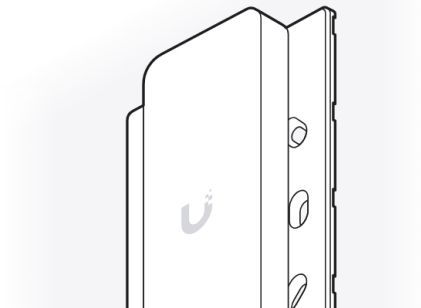
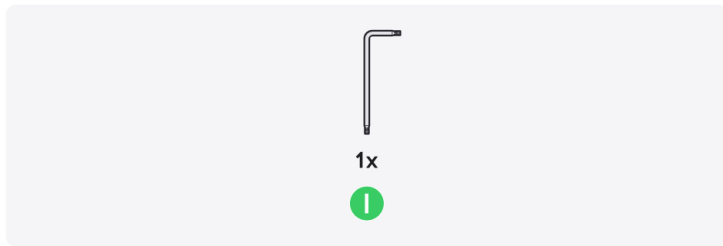


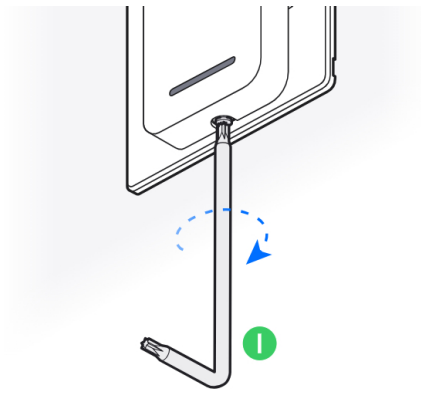
7



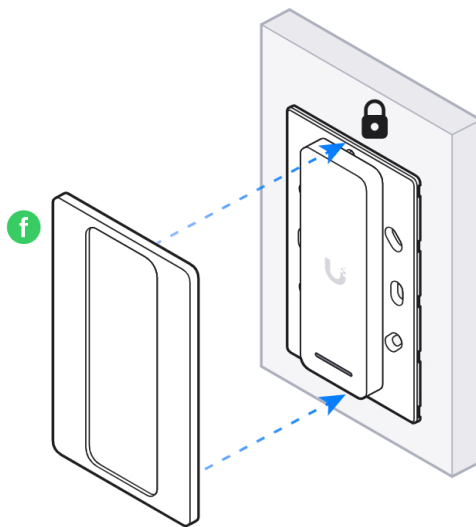
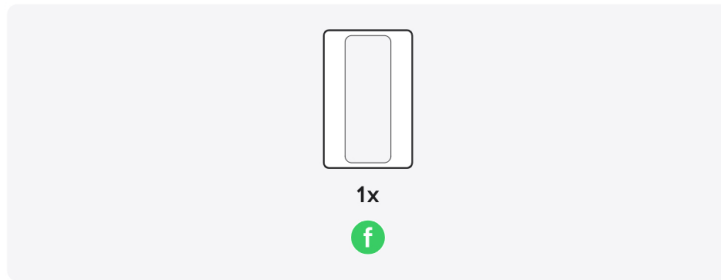


8





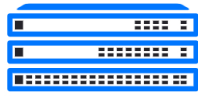
9



10



UniFi Cloud Gateway



Switching

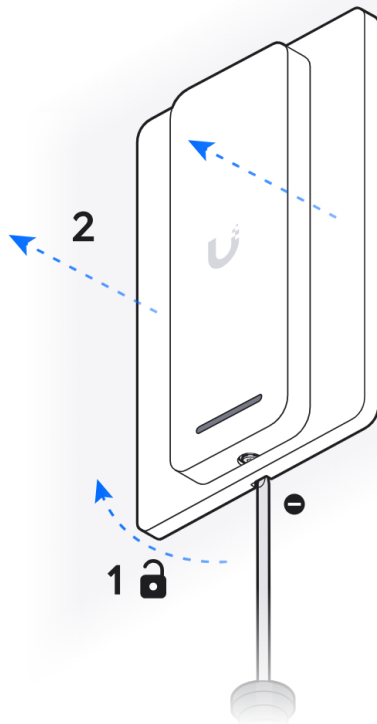
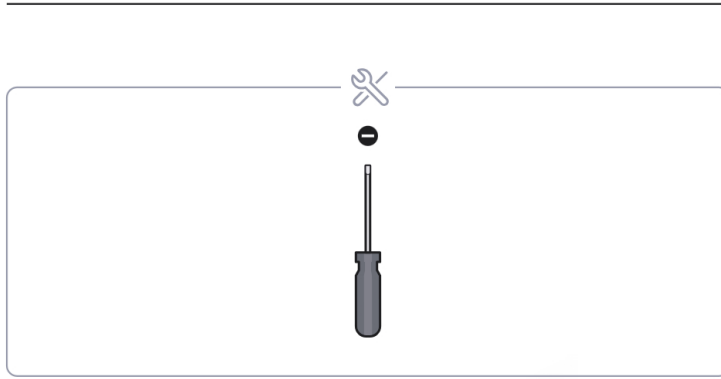


PoE+



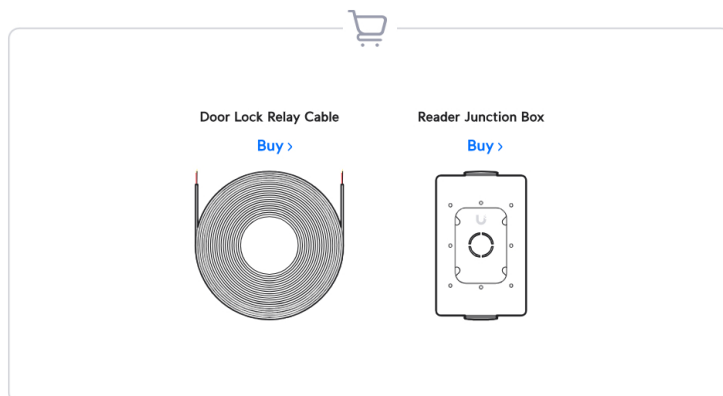
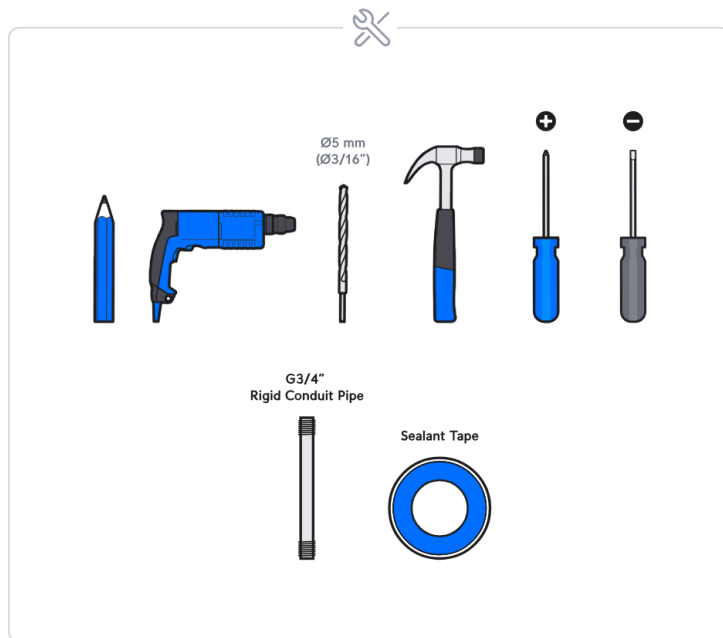
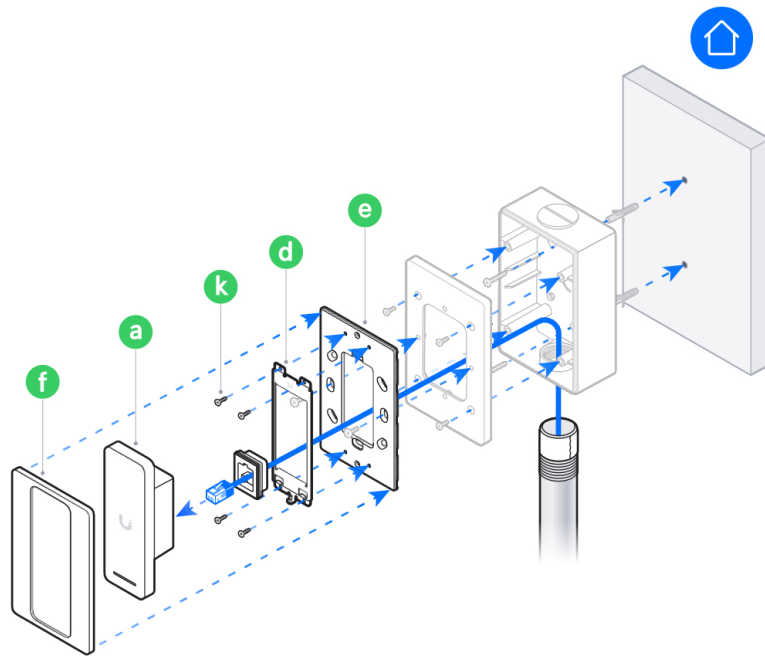
11





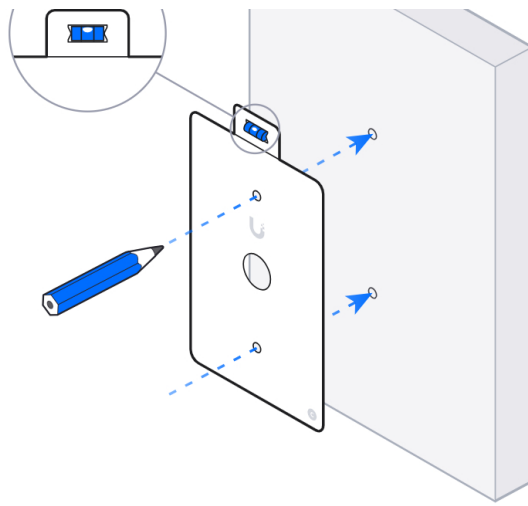
If you need further assistance, visit our [Help Center](#) or contact [Ubiquiti Support](#).

©2014 Ubiquiti Inc. All rights reserved. Ubiquiti, the Ubiquiti U logo, UniFi, and UniFi Access are trademarks or registered trademarks of Ubiquiti Inc. in the United States and in other countries. Apple and the Apple logo are trademarks of Apple Inc., registered in the U.S. and other countries. App Store is a service mark of Apple Inc., registered in the U.S. and other countries. Android, Google, Google Play, and the Google Play logo are trademarks of Google LLC.

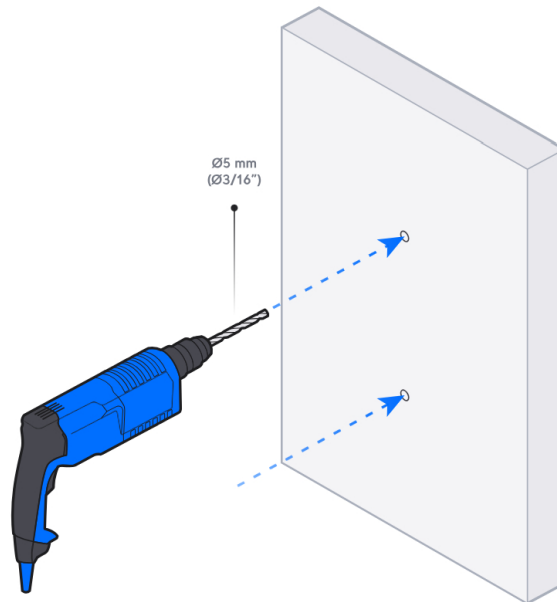


1

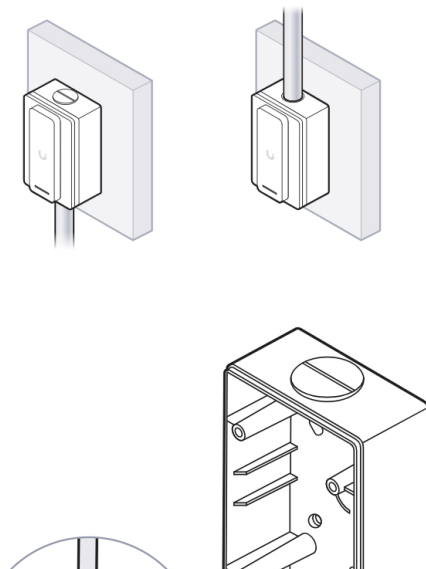


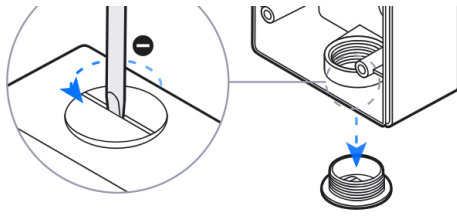


2

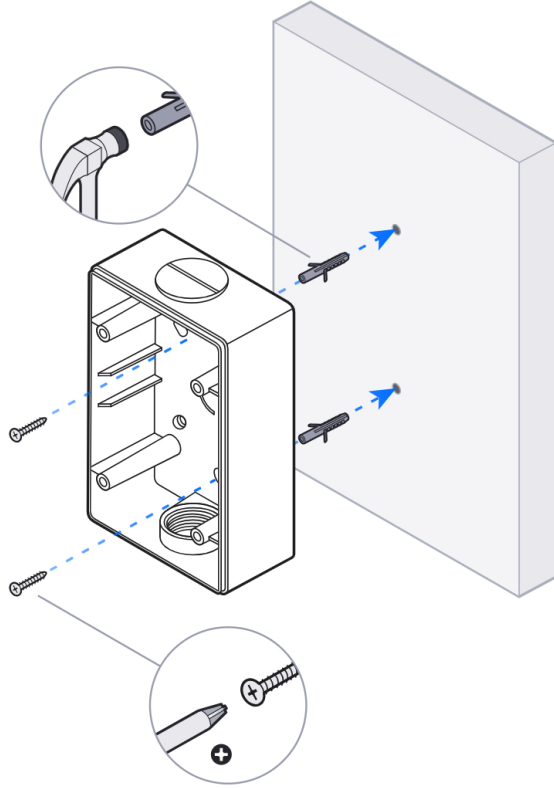


3

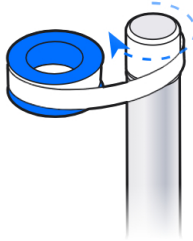




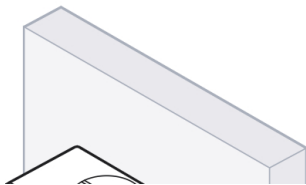
4

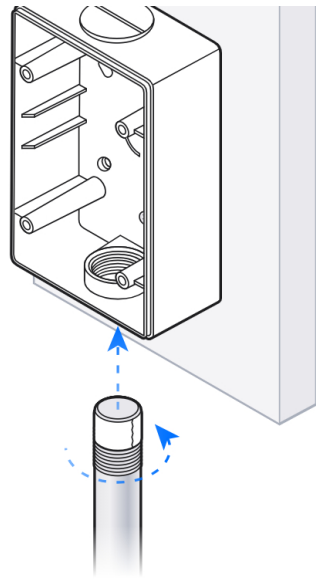


5

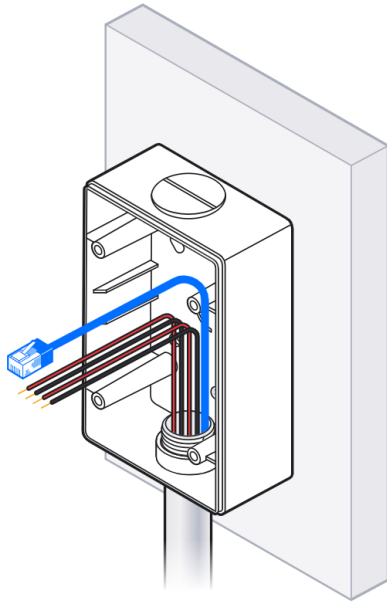
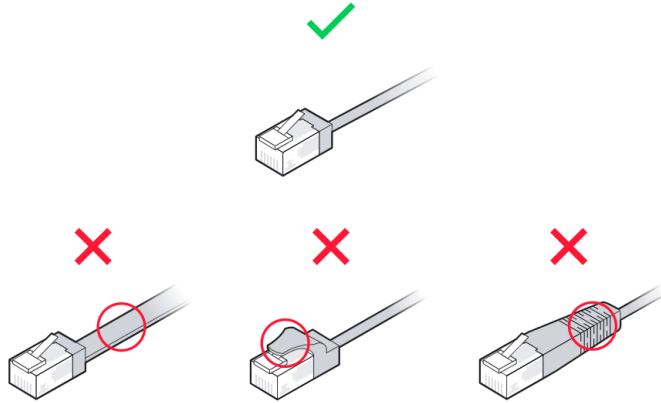


6

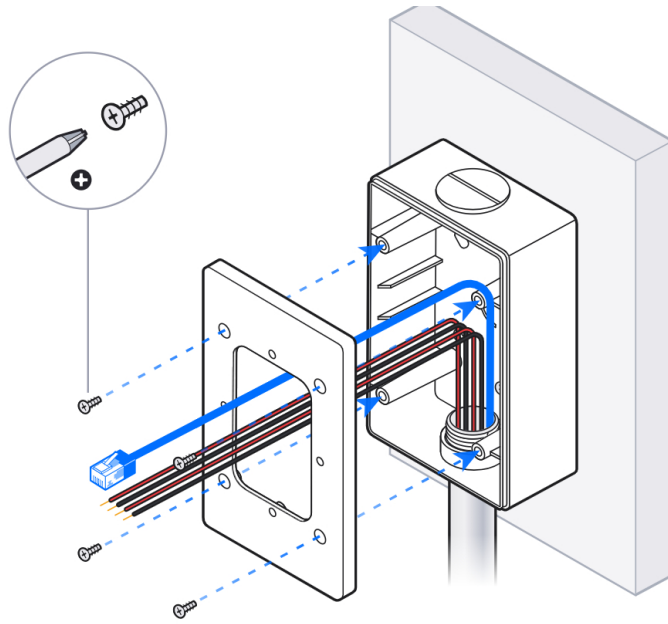




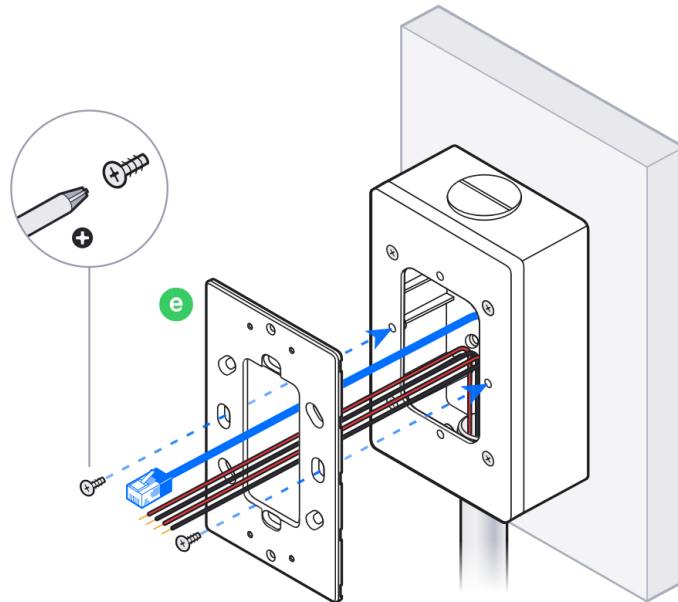
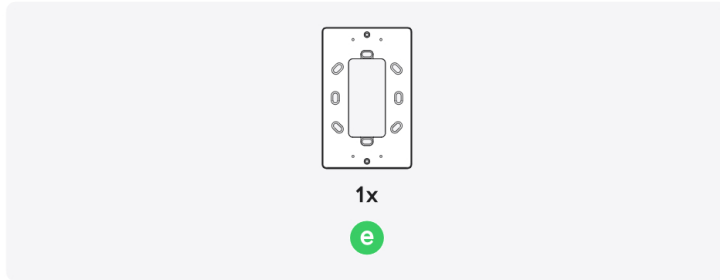
7



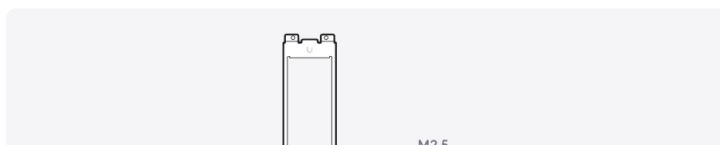
8

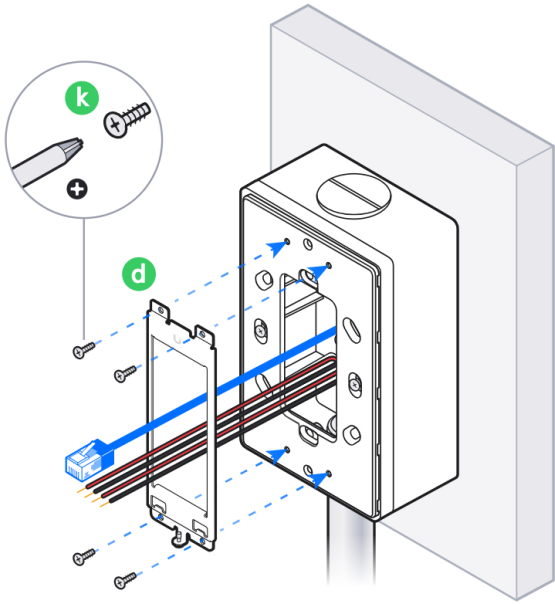
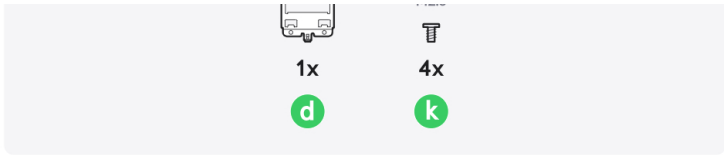


9

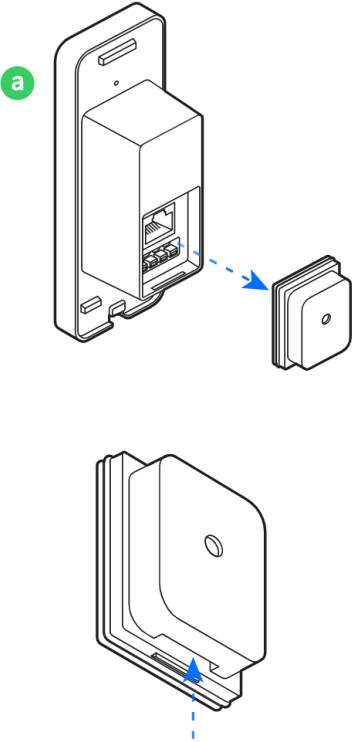


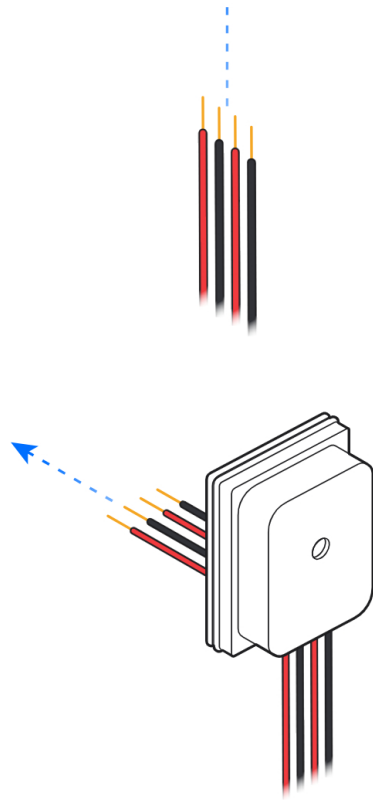
10



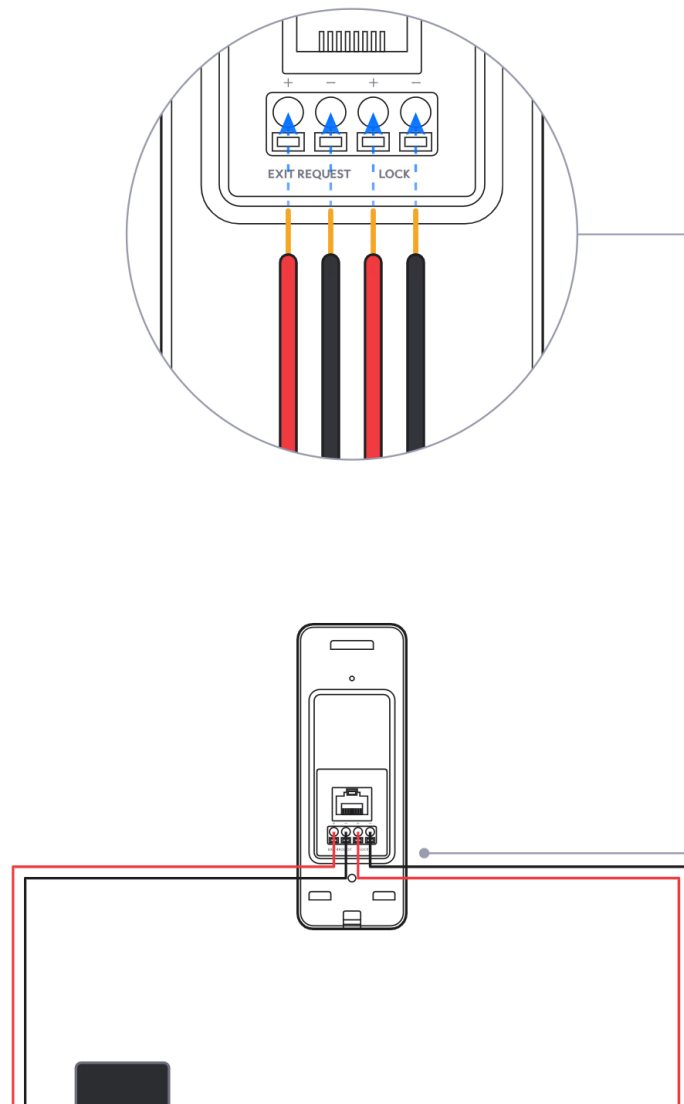


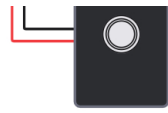
11





12





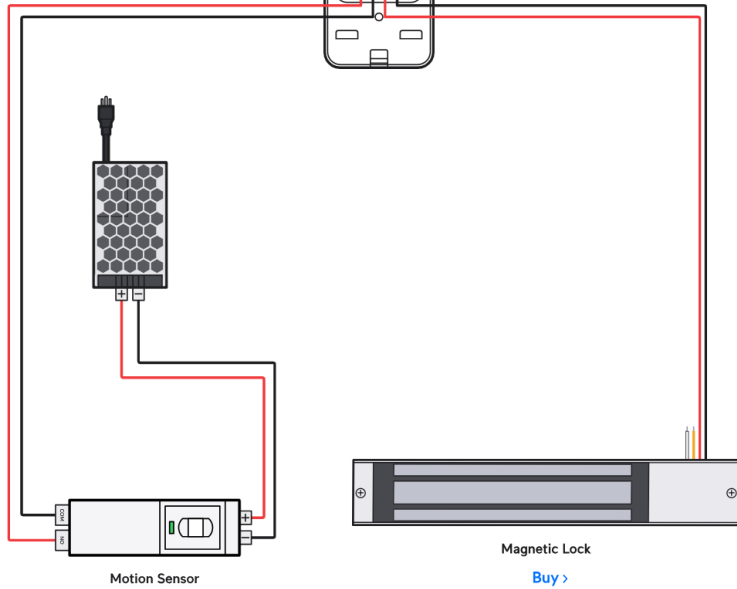
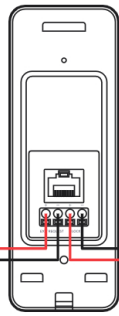
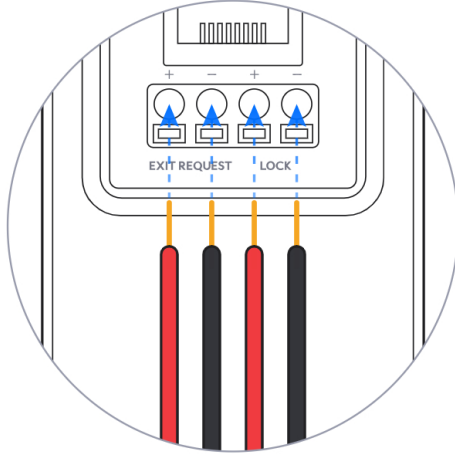
Access Button

[Buy >](#)



Electric Lock

[Buy >](#)

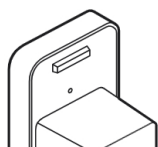


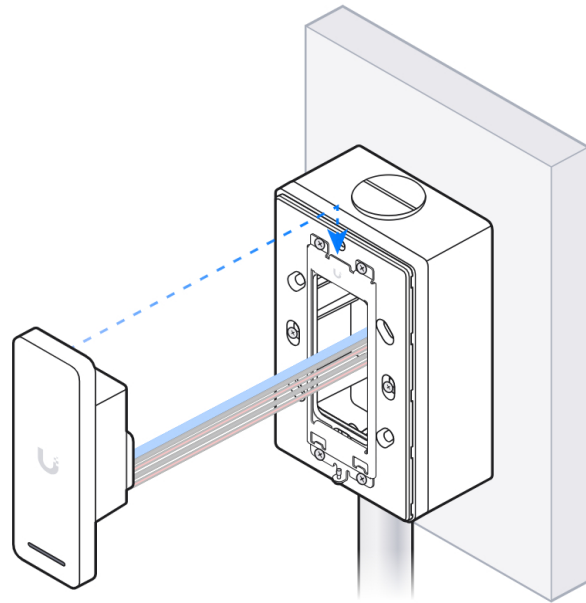
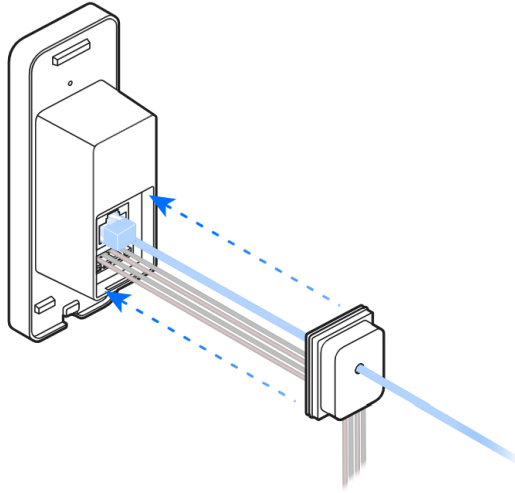
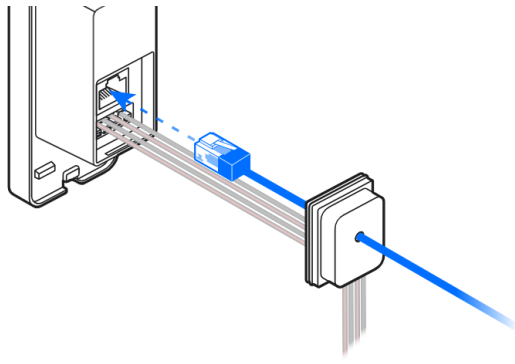
Motion Sensor

Magnetic Lock

[Buy >](#)

13



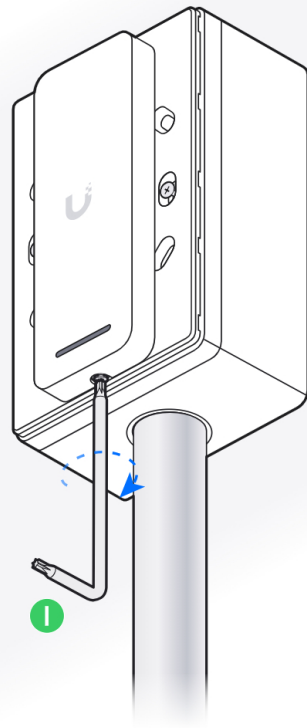


14

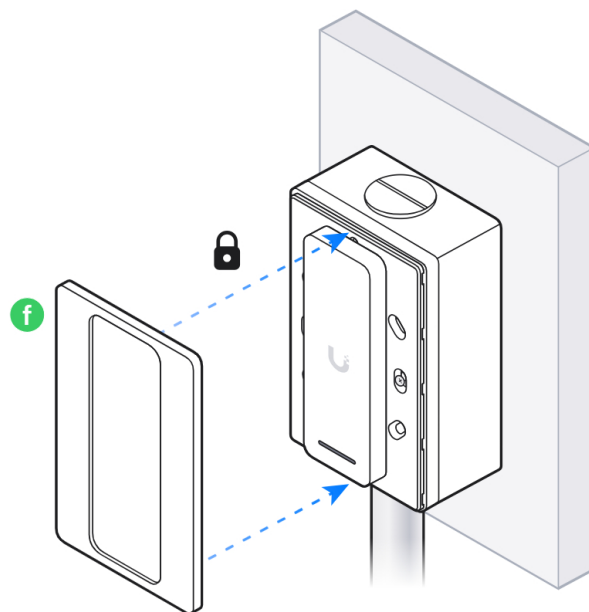
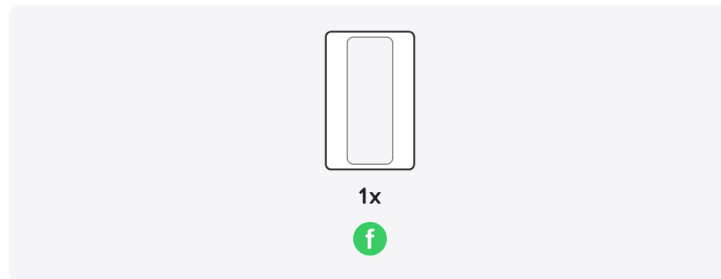


1x





15



16



Internet



UniFi Cloud Gateway

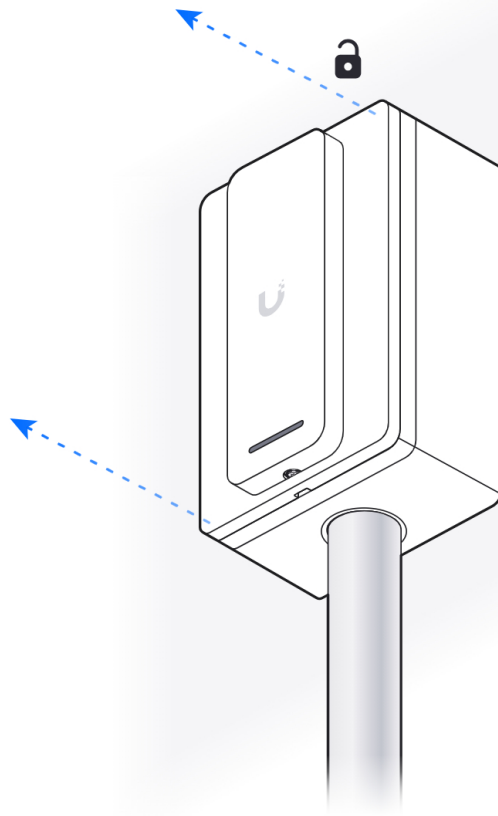
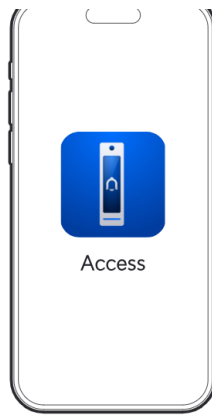


Switching



17





If you need further assistance, visit our [Help Center](#) or contact [Ubiquiti Support](#).