



# Canon® C70 Cage

The Zacuto C70 Cage is lightweight, compact, and ready to accommodate any shooting style! The cage comes with an HDMI strain relief clamp and right angle HDMI adapter. It has a built in Arca Swiss style wedge plate, compatible with Zacuto's ACT System. This system allows you to quickly transform from handheld run'n'gun shooting to shoulder-mounted to gimbal and more!

The cage screws into the top and bottom of the camera with provided 1/4"-20 and 3/8"-16 screws for a rock solid connection. The top of the cage includes numerous 1/4"-20 holes for mounting accessories. It also has built-in Z-Rails (NATO) on the top and side for mounting an optional handle or other accessories and features Canon's anti-twist grooves for mounting the camera's proprietary handle. The bottom plate has three 1/4"-20 and one 3/8"-16 mounting holes.

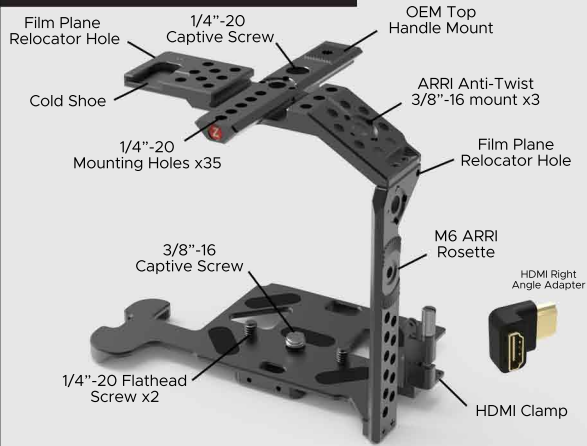
The cage also features an M6 ARRI rosette on the side for a handgrip, a coldshoe for mounting audio devices or a monitor, multiple ARRI anti-twist 3/8"-16 holes, and the option to relocate the camera's film plane screw to either side of the camera. No matter your style, this cage has you covered.



Check out our tutorial videos at [zacuto.com](http://zacuto.com)

Call us at  
312-863-3456

## Parts & Features



## Optional Accessories

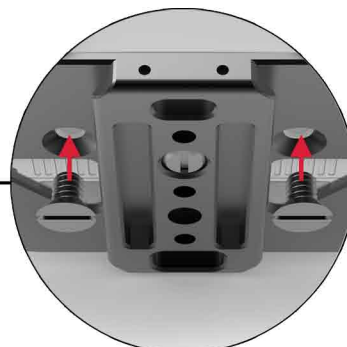
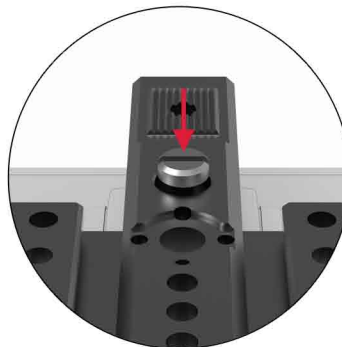
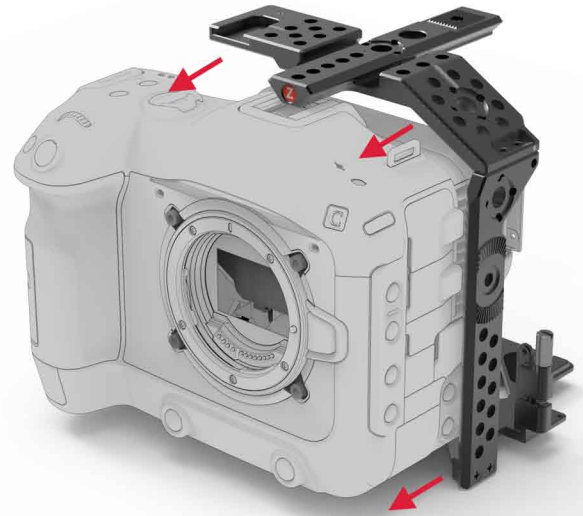


## Assembling C70 Cage



### Step 1

Relocate Film Plane Screw to C70 Cage. Slide C70 Cage onto Camera from rear.



### Step 2

Loosely screw in 3/8"-16 Captive Screw, 1/4"-20 Captive Screw, and 1/4"-20 Flathead Screw (x2). Then tighten all four screws.

