

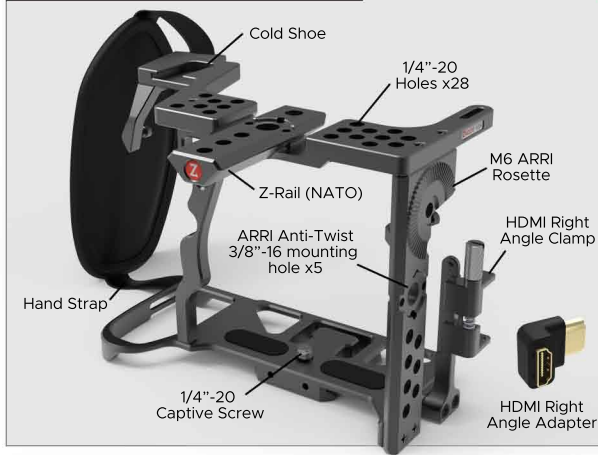


# Panasonic<sup>®</sup> Lumix S5 Cage

The Panasonic S5 Cage is lightweight, compact, packs a ton of features, and is compatible with Zacuto's ACT Recoil system. The Cage screws into the bottom of the camera with a provided 1/4"-20 screw. It also attaches to the sides of the camera using the shoulder strap eyelet holes with provided screws, making it super secure and rock solid. It includes a Zacuto camera hand strap for a secure and comfortable grip on the camera. The cage ends at the eyelet neck strap connection, allowing you to use the camera's built-in handgrip, keeping the cage small and light and allowing easy access to all camera controls.

The top of the cage includes numerous 1/4"-20 holes for mounting accessories. It also has a built-in Z-Rail for mounting an optional top handle, monitor, or other accessories. The bottom of the cage features a built-in Arca Swiss plate to mount to any compatible quick release base or Zacuto's ACT Mounting Plate. This allows you to move quickly from handheld, to shoulder mount, to tripod shooting. It also has two 1/4"-20 holes and a 3/8"-16 hole for mounting a tripod plate.

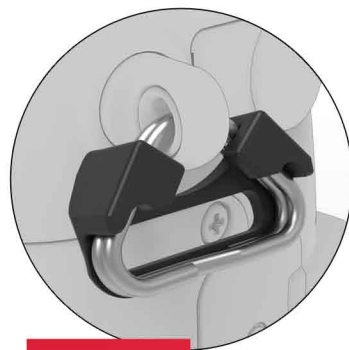
## Parts & Features



## Optional Accessories

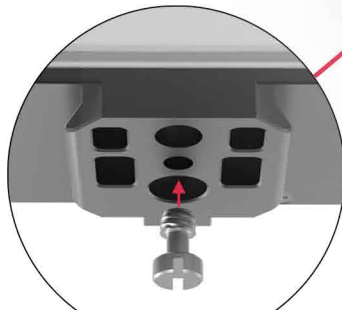


## Assembling Lumix S5 Cage



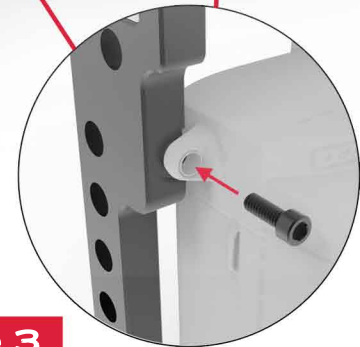
### Step 1

Remove neck strap ring from left and right camera eyelet.



### Step 2

Insert camera and thread in bottom 1/4"-20 captive screw.



### Step 3

Thread in eyelet screw x2. Then tighten down the bottom captive screw and the eyelet screw x2.



Check out our tutorial videos at [zacuto.com](http://zacuto.com)

Call us at  
312-863-3456

