



## RED® Komodo Cage

Zacuto's RED Komodo cage is a very modular design. You can use each part individually or in any combination. This sku is for the entire cage- it has a top plate, two sides and a bottom.

The top plate has integrated Z-Rail (NATO rail) for quick mounting rail based top handles, arms, monitor mounts, etc. It has a flush top for mounting other accessories across it plus 1/4" 20 and Arri style 3/8" 16 threaded holes on top and sides. There is also a provision for mounting two 15mm rod locks for rods to support focus motors and other top mounted rod accessories

The two independent side rails are Z-Rails (NATO) featuring two Arri M6 rosettes top and bottom and an Arri 3/8 16 tapped hole. 3 types of mounting styles.

The bottom plate has an integrated Arca Swiss style locking wedge, an integrated and adjustable 1/4" 20 screw support for lens adaptors and 1/4" 20 threaded holes on the sides.

The cage protects the corners of the camera body. It is very ergonomic and low profile. Super light weight from use of aircraft aluminum.

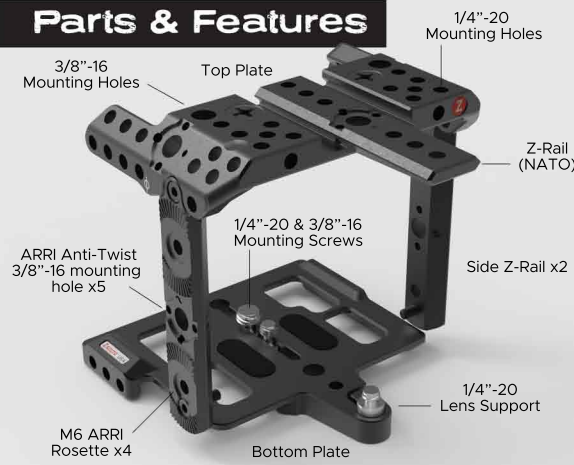
Build your cage and rig how you want with our cage. If you want to build a shoulder rig, slide the cage into our ACT Baseplate.



Check out our tutorial videos at [zacuto.com](http://zacuto.com)

Call us at  
312-863-3456

### Parts & Features



### Optional Accessories



### Assembling Komodo Cage

Modular design allows for installing Bottom Plate, Side Z-Rails, and Top Plate as individual pieces or as a complete cage.



#### Step 1

Install Bottom Plate using 1/4"-20 & 3/8"-16 captive screws. Adjust Bottom Plate forward/back to accommodate lens support alignment with lens.



#### Step 2

Install Side Z-Rail (x2) using M4 cap-head screws (x4).



#### Step 3

Secure Top Plate using 1/4"-20 flat-head screw (x2).



#### Step 4

Customize your rig with our universal accessories.