



## Rosette Zgrip Trigger

The Rosette ZGrip Trigger is the most adjustable handgrip for cameras with a rosette based relocatable grip. It allows for single-handed 360° rotation with the simple press of a trigger. Flip it down for a low, rock-solid handgrip. Raise it up for more of an Aaton style position. Or quickly flip it all the way up to set your camera flat on the ground or for storing in a case.

The Rosette ZGrip Trigger attaches to your rig or camera via an M6 Rosette - the industry standard. The VCT Pro has a built in M6 rosette to give you a rock solid connection. The Rosette Zgrip Trigger is 11.5" long with 6" of length adjustment. The handgrip allows 360° of rotation to adjust the handgrip into the perfect position for combatting fatigue.

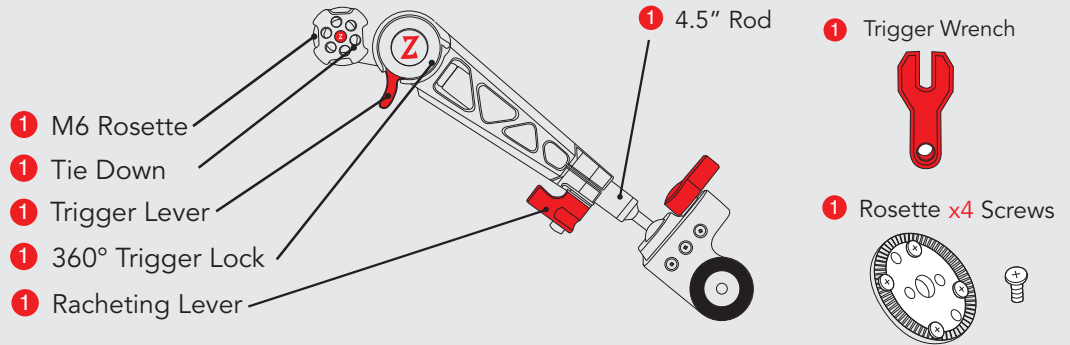
At the end of the grip is another M6 rosette for the grip from your servo zoom lens or camera. This is compatible with the Sony FS5 grip (with included rosette adapter), the Ursa Mini grip, the Canon ZSG-C10 Zoom Grip, and many more.



**NEED  
MORE  
HELP**

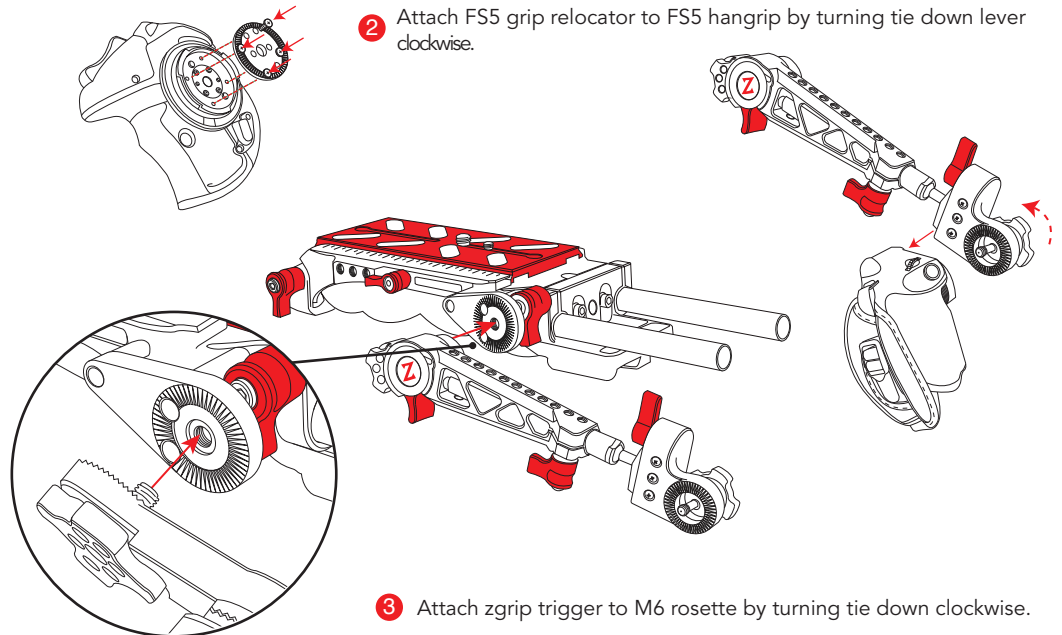
Check out our tutorial videos at [zacuto.com](http://zacuto.com)

## Parts and Features

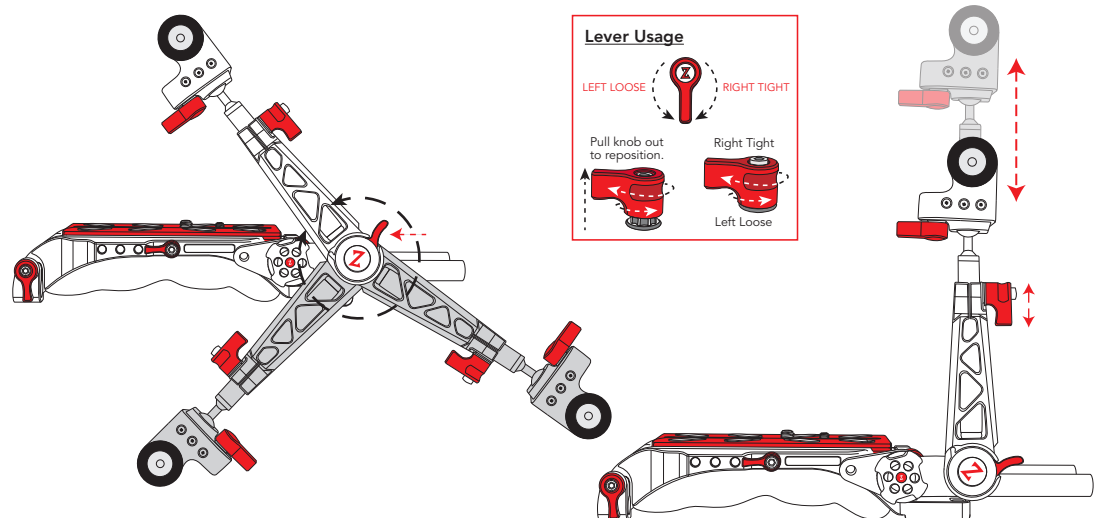


## Assembling Rosette Zgrip Trigger

- 1 Install rosette into FS5 grip using supplied screws.
- 2 Attach FS5 grip relocater to FS5 hangrip by turning tie down lever clockwise.



## Operating Rosette Zgrip Trigger



Rotate zgrip trigger by pressing trigger lever. Zgrip trigger will lock in place when trigger lever is released. Length of zgrip trigger can be adjusted by loosening/tightening ratcheting lever.