



FX9 Trigger Grip

The Sony FX9 Trigger Grip is the most adjustable handgrip specifically for the Sony FX9. It allows for single-handed 360° rotation with the simple press of a trigger. Flip it down for a low, rock-solid handgrip. Raise it up for more of an Aaton style position. Or quickly flip it all the way up to set your camera flat on the ground or for storing in a case.

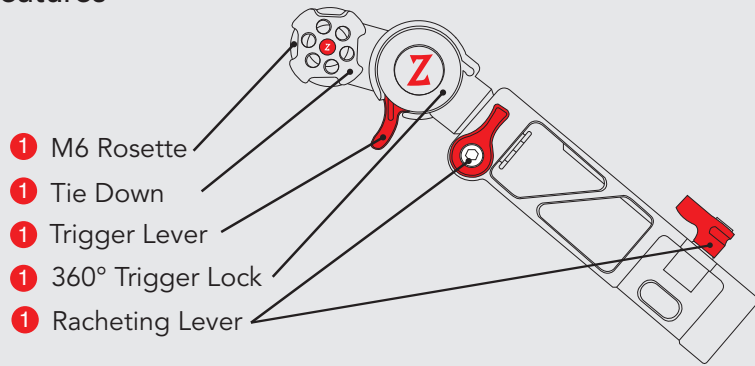
The FX9 Trigger Grip attaches to your rig or camera via an M6 Rosette - the industry standard. The VCT Pro has a built in M6 rosette to give you a rock solid connection. It is 11.5" long with 6" of length adjustment. The handgrip allows 360° of rotation to adjust the handgrip into the perfect position for combatting fatigue.



**NEED
MORE
HELP**

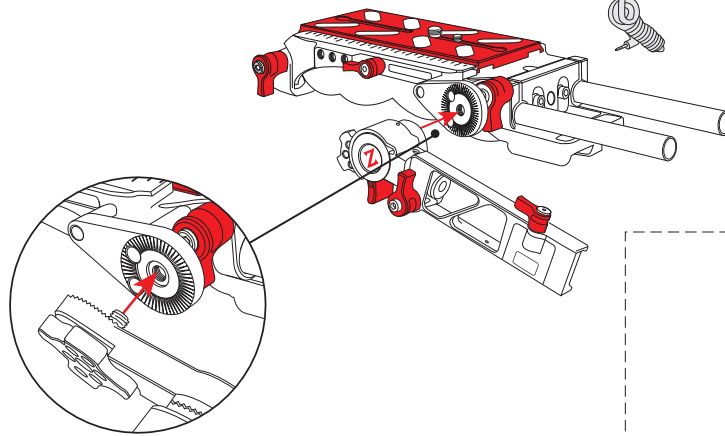
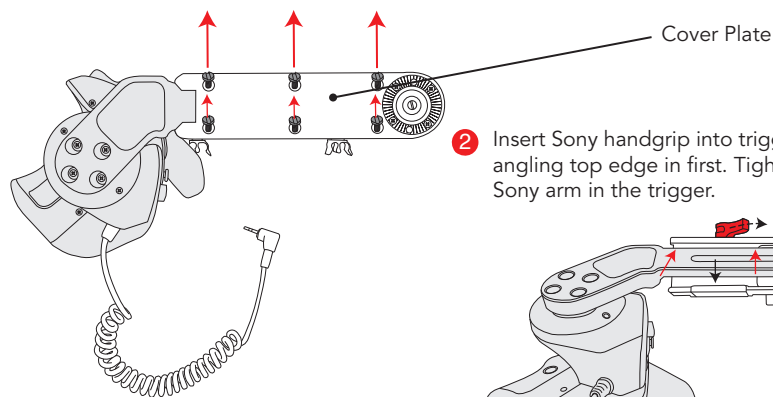
Check out our tutorial videos at zacuto.com

Parts and Features



Assembling FX9 Trigger Grip

- 1 Loosen screws from Sony arm and remove cover plate, spring, and two plastic guide rails. Separate Sony arm from rosette.



Operating FX9 Trigger Grip

- 4 Rotate trigger grip by loosening / tightening ratcheting lever. The trigger will lock in place when trigger lever is released.

